

CENTRIFUGAL PUMPS

CLOSE-COUPLED AG SERIES



FEATURES

- 10 pump families covering the most popular hydraulic performance ranges
- Designed for increased efficiency and performance
- Threaded NPT and 125# flanged connection options
- Flow ranges from 50–2000 gpm
- NEMA standard JM and JP shaft motors; 1800 and 3600 rpm; ODP and TEFC enclosures available
- Back pull-out design
- Standard carbon/ceramic/nitrile/316 stainless steel mechanical seals or packing-box option
- 416 stainless steel shaft sleeves
- ASTM-A48 CL30 cast iron volute and impellers



SPECIFICATIONS

- Capacities to 2000 gpm
- Heads to 300 feet
- 150 psi maximum working pressure
- 212 °F maximum temperature

APPLICATIONS

- Pressure Boosting
- Water Supply and Treatment
- Wash Down
- Water Recirculation
- Irrigation

Quick Select Pump Page Finder

Series	Nominal RPM	Flow (GPM)	Head (ft)	HP	Dis. x Suc.	Impeller Max. Dia.	Pages			
							Performance	Order Information	Dimensions	Repair Parts
A1 x 1.5-7	3600	65 - 95	90 - 220	3 - 7.5	1" x 1.5"	7"	4 - 5	25	42 - 43	81 - 82
A1.5 x 2-6	3600	100 - 200	100 - 200	5 - 10	1.5" x 2"	6"	6 - 7	26	44 - 45	83 - 84
A2 x 3-10	3600	90 - 160	125 - 325	7.5 - 20	2" x 3"	10"	8 - 9	27 - 28	46 - 49	85 - 86
A2 x 2.5-6	3600	120 - 280	60 - 160	3 - 15	2" x 2.5"	6"	10 - 11	29 - 30	50 - 53	87 - 88
A2 x 3-8	3600	125 - 300	110 - 240	7.5 - 20	2" x 3"	8"	12 - 13	31 - 32	54 - 58	89 - 90
A2.5 x 3-6	3600	150 - 400	35 - 160	3 - 15	2.5" x 3"	6"	14 - 15	33 - 34	59 - 60	91 - 92
A2.5 x 4-10	3600	200 - 400	175 - 350	20 - 40	2.5" x 4"	10"	16 - 17	35 - 36	61 - 65	93 - 94
A3 x 4-6	3600	250 - 600	60 - 160	7.5 - 20	3" x 4"	6"	18 - 19	37 - 38	66 - 70	95 - 96
A3 x 4-9	3600	500 - 950	140 - 325	30 - 75	3" x 4"	9"	20 - 21	39 - 40	71 - 73	97 - 98
A6 x 8-13	1800	800 - 2000	70 - 160	30 - 75	6" x 8"	13"	22 - 23	41	74 - 75	99 - 100

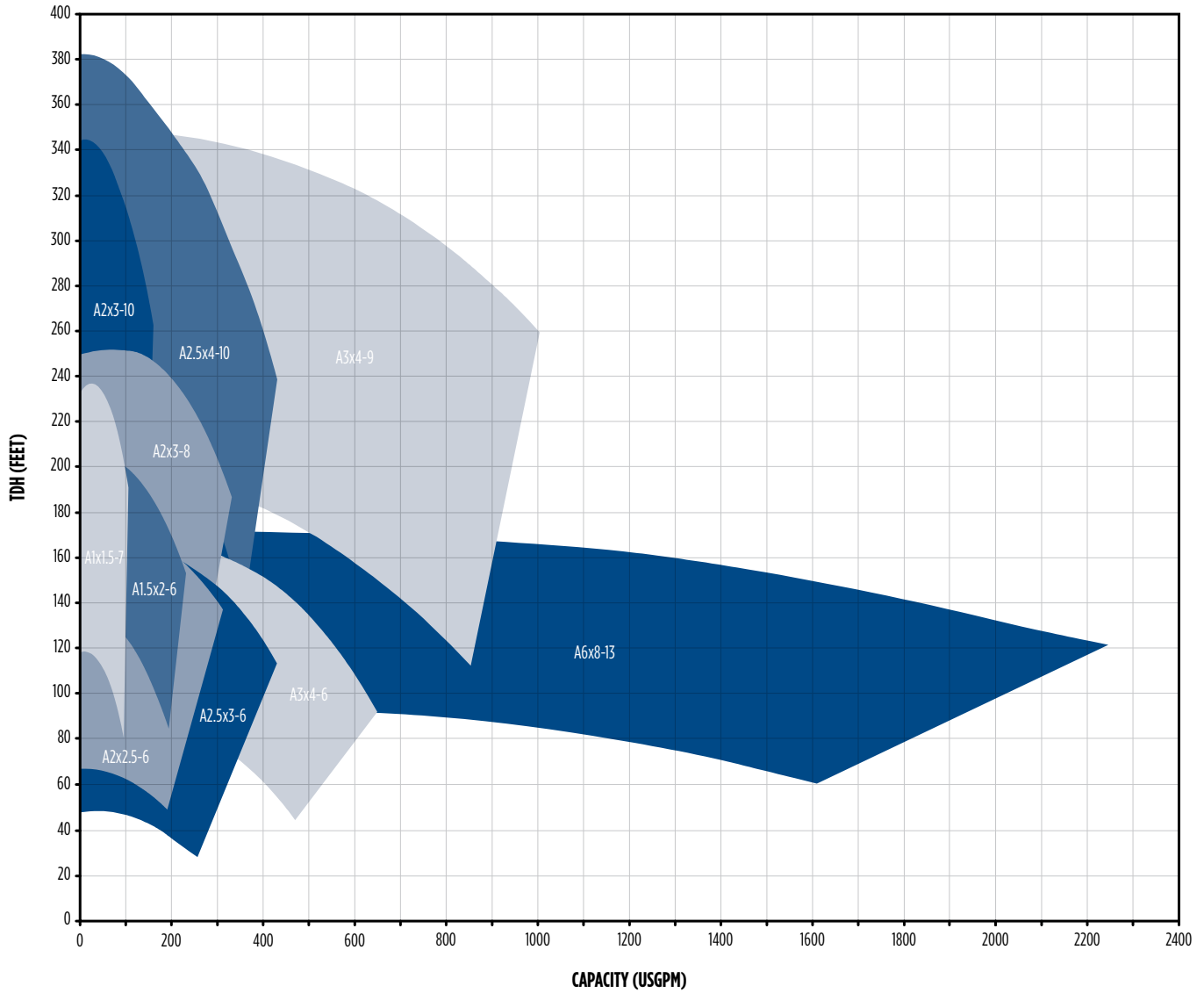
CENTRIFUGAL PUMPS

CLOSE-COUPLED AG SERIES



MENU

PERFORMANCE RANGE



CENTRIFUGAL PUMPS

CLOSE-COUPLED AG SERIES

☰ MENU



TABLE OF CONTENTS

Performance	4
A1 x 1.5 - 7.....	4
A1.5 x 2 - 6.....	6
A2 x 3 - 10.....	8
A2 x 2.5 - 6.....	10
A2 x 3 - 8.....	12
A2.5 x 3 - 6.....	14
A2.5 x 4 - 10.....	16
A3 x 4 - 6.....	18
A3 x 4 - 9.....	20
A6 x 8 - 13.....	22
Model Nomenclature.....	24
Order Information	25
A1 x 1.5 - 7.....	25
A1.5 x 2 - 6.....	26
A2 x 3 - 10.....	27
A2 x 2.5 - 6.....	29
A2 x 3 - 8.....	31
A2.5 x 3 - 6.....	33
A2.5 x 4 - 10.....	35
A3 x 4 - 6.....	37
A3 x 4 - 9.....	39
A6 x 8 - 13.....	41
Dimensions.....	42
A1 x 1.5 - 7.....	42
A1.5 x 2 - 6.....	44
A2 x 3 - 10.....	46
A2 x 2.5 - 6.....	50
A2 x 3 - 8.....	54
A2.5 x 3 - 6.....	59
A2.5 x 4 - 10.....	63
A3 x 4 - 6.....	67
A3 x 4 - 9.....	72
A6 x 8 - 13.....	74
Motor Specifications	76
Repair Parts	81
A1 X 1.5 - 7.....	81
A1.5 X 2 - 6.....	83
A2 X 3 - 10.....	85
A2 X 2.5 - 6.....	87
A2 X 3 - 8.....	89
A2.5 X 3 - 6.....	91
A2.5 X 4 - 10.....	93
A3 X 4 - 6.....	95
A3 X 4 - 9.....	97
A6 X 8 - 13.....	99

CENTRIFUGAL PUMPS

CLOSE-COUPLED AG SERIES

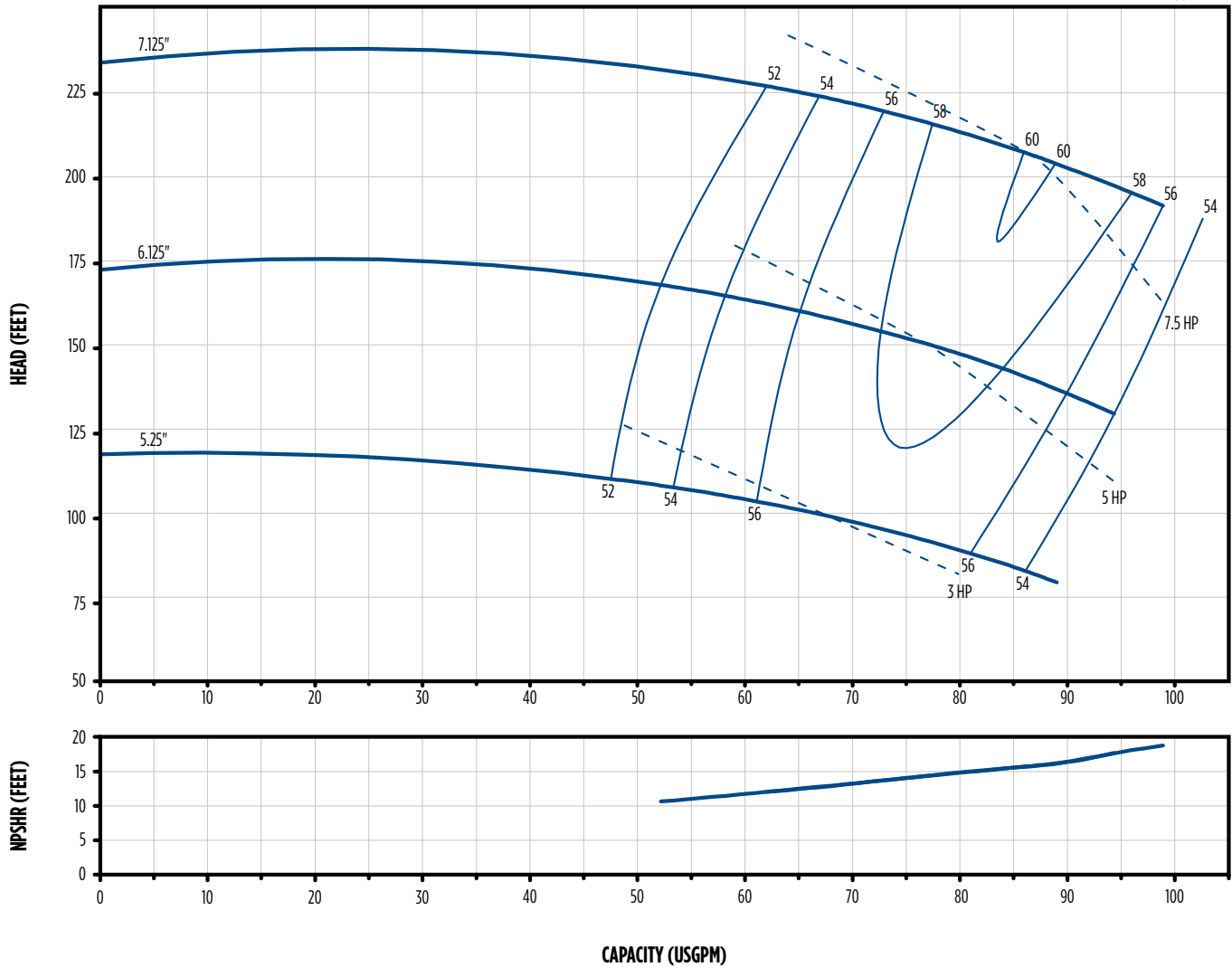
MENU



PERFORMANCE

A1 X 1.5 - 7

NOMINAL SPEED: 3600 RPM



CENTRIFUGAL PUMPS

CLOSE-COUPLED AG SERIES

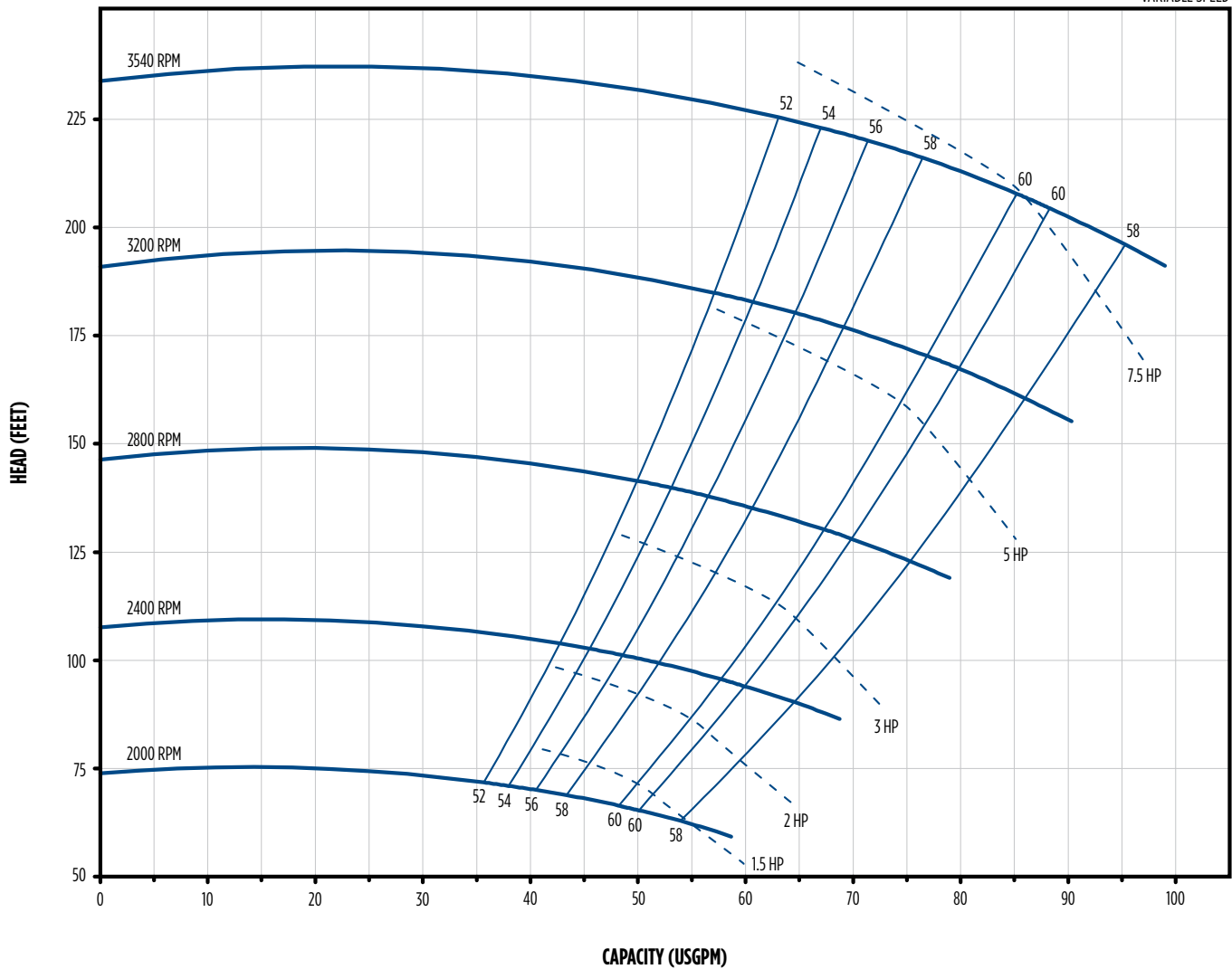
☰ MENU



PERFORMANCE

A1 X1.5 - 7

VARIABLE SPEED



CENTRIFUGAL PUMPS

CLOSE-COUPLED AG SERIES

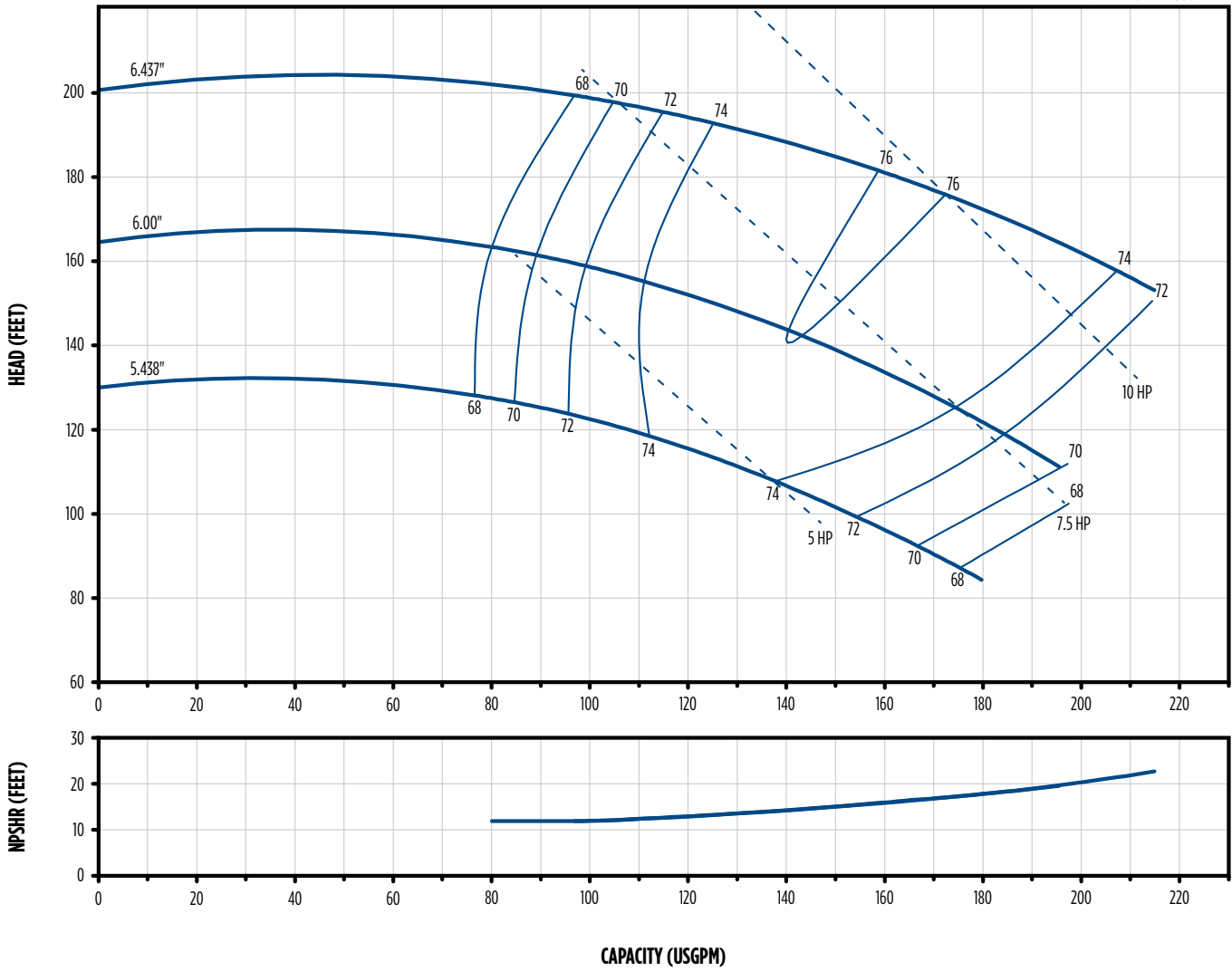
MENU



PERFORMANCE

A1.5 X 2 - 6

NOMINAL SPEED: 3600 RPM



CENTRIFUGAL PUMPS

CLOSE-COUPLED AG SERIES

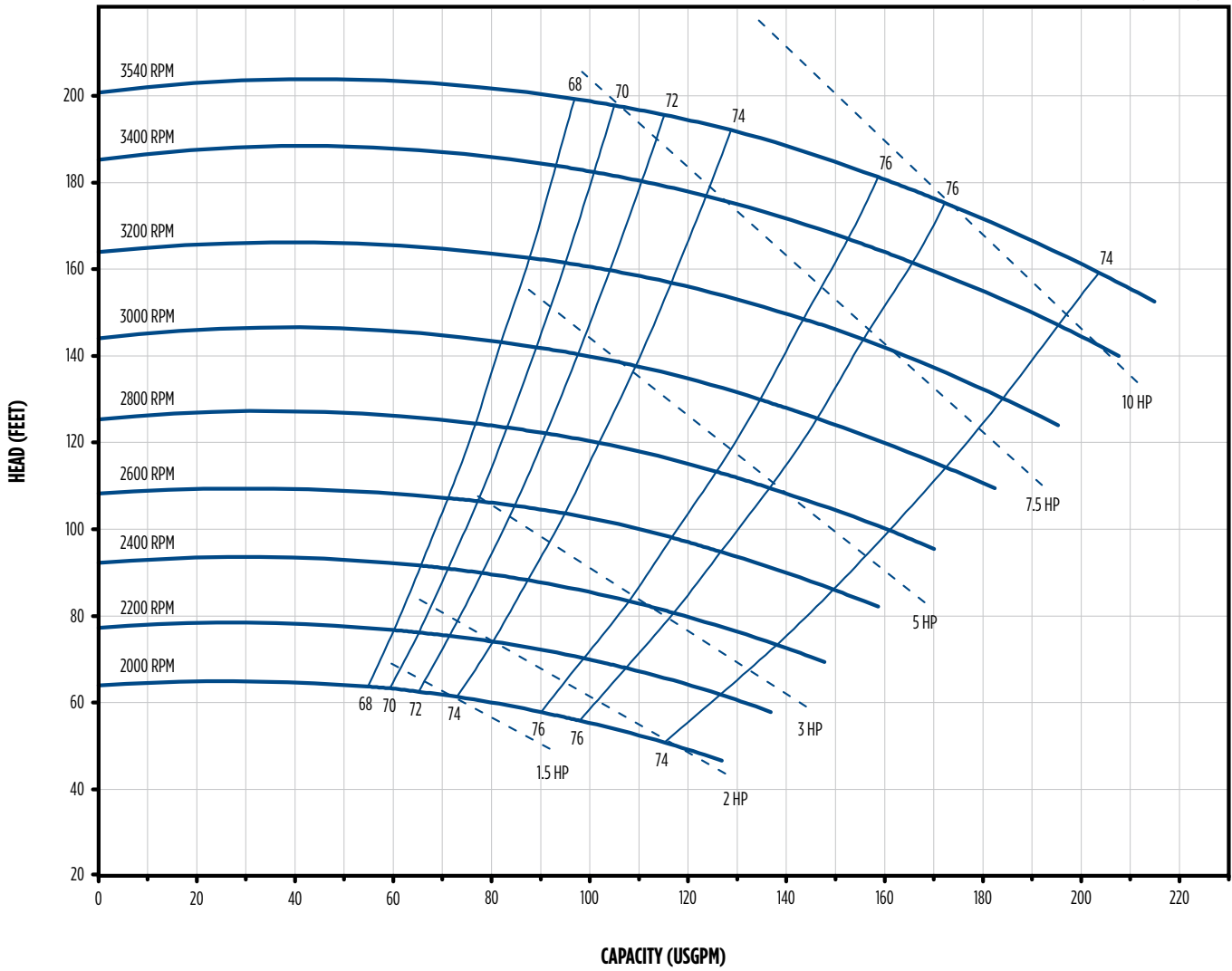
MENU



PERFORMANCE

A1.5 X 2 - 6

VARIABLE SPEED



CENTRIFUGAL PUMPS

CLOSE-COUPLED AG SERIES

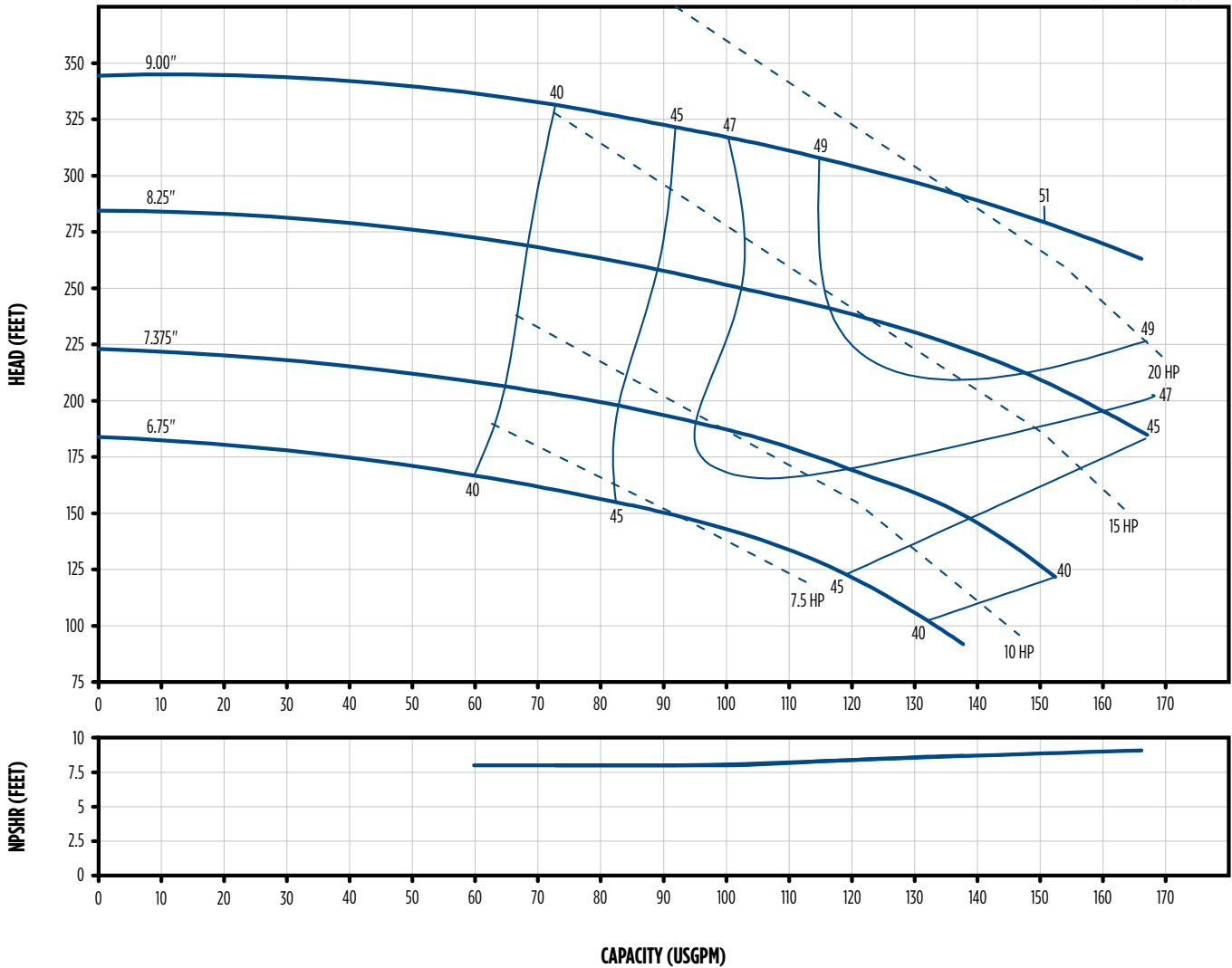
MENU



PERFORMANCE

A2 X 3 - 10

NOMINAL SPEED: 3600 RPM



CENTRIFUGAL PUMPS

CLOSE-COUPLED AG SERIES

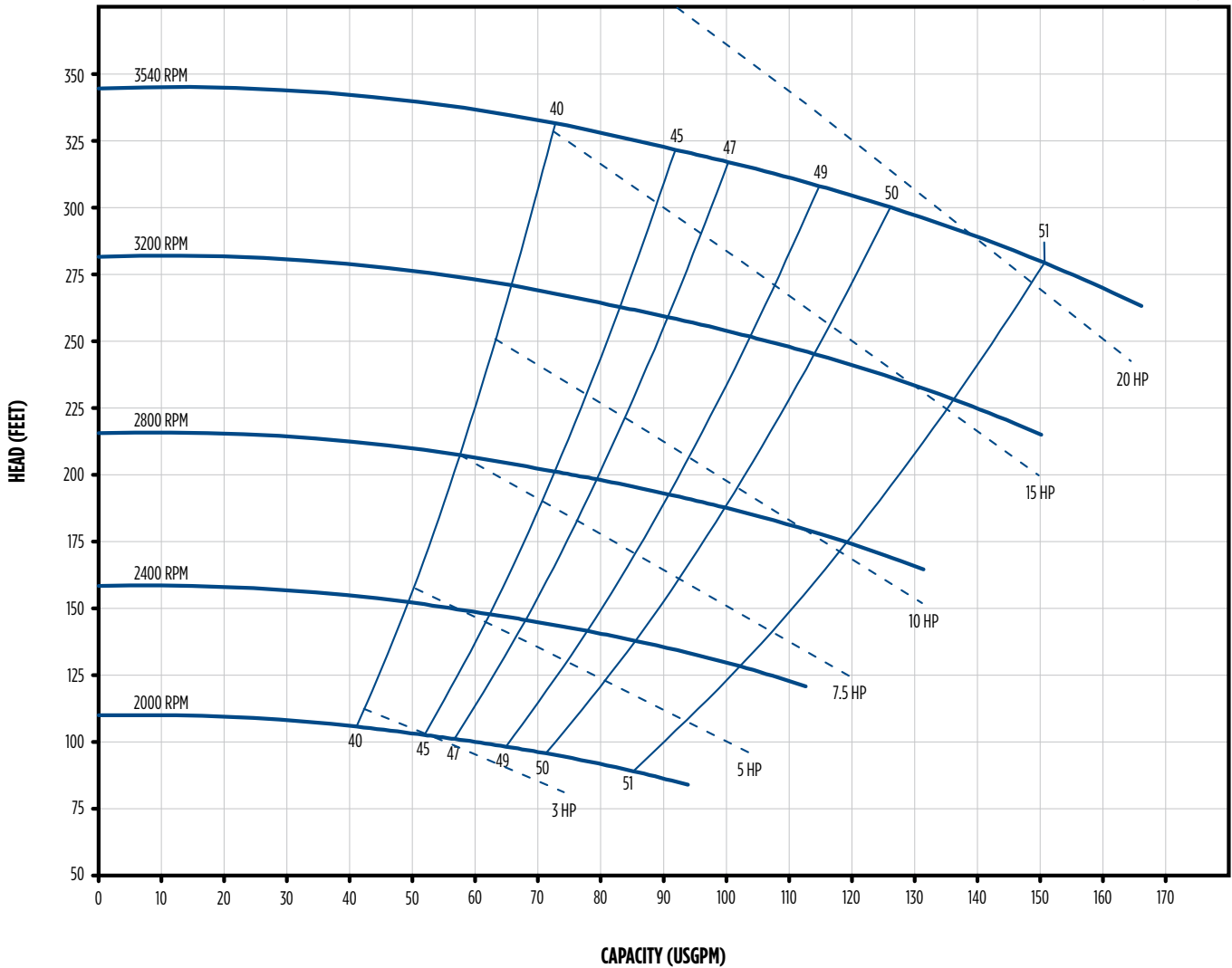
MENU



PERFORMANCE

A2 X 3 - 10

VARIABLE SPEED



CENTRIFUGAL PUMPS

CLOSE-COUPLED AG SERIES

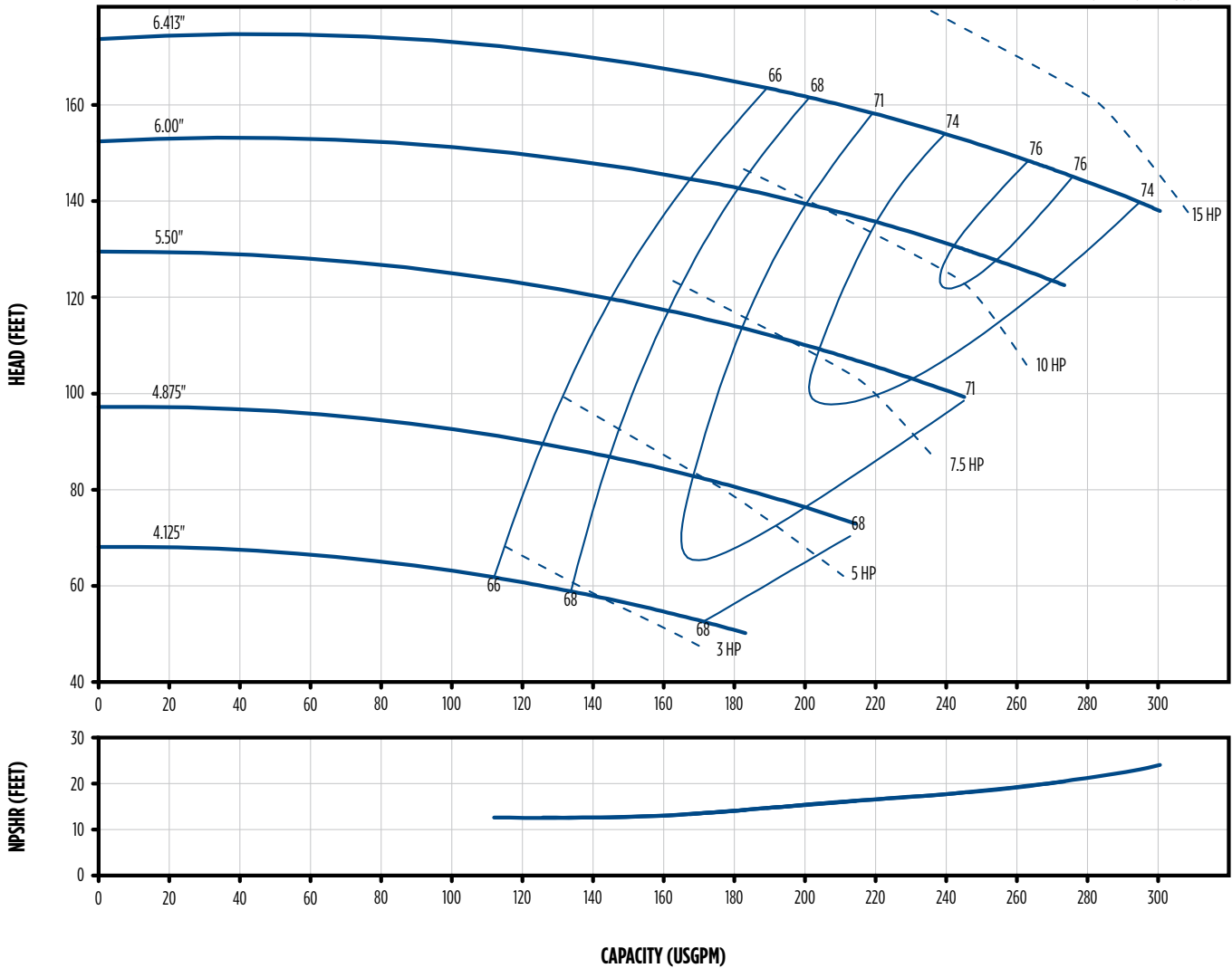
MENU



PERFORMANCE

A2 X 2.5 - 6

NOMINAL SPEED: 3600 RPM



CENTRIFUGAL PUMPS

CLOSE-COUPLED AG SERIES

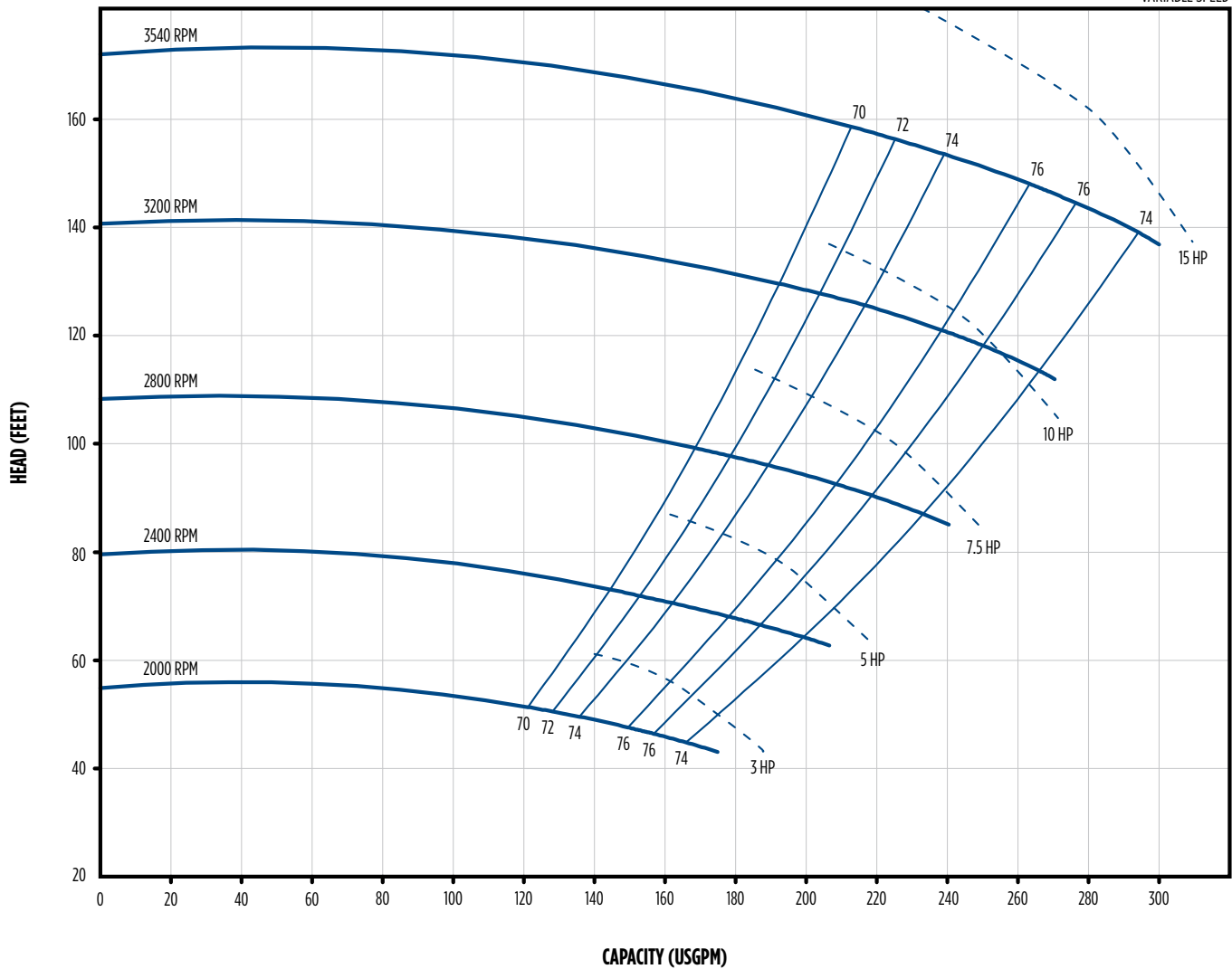
MENU



PERFORMANCE

A2 X 2.5 - 6

VARIABLE SPEED



CENTRIFUGAL PUMPS

CLOSE-COUPLED AG SERIES

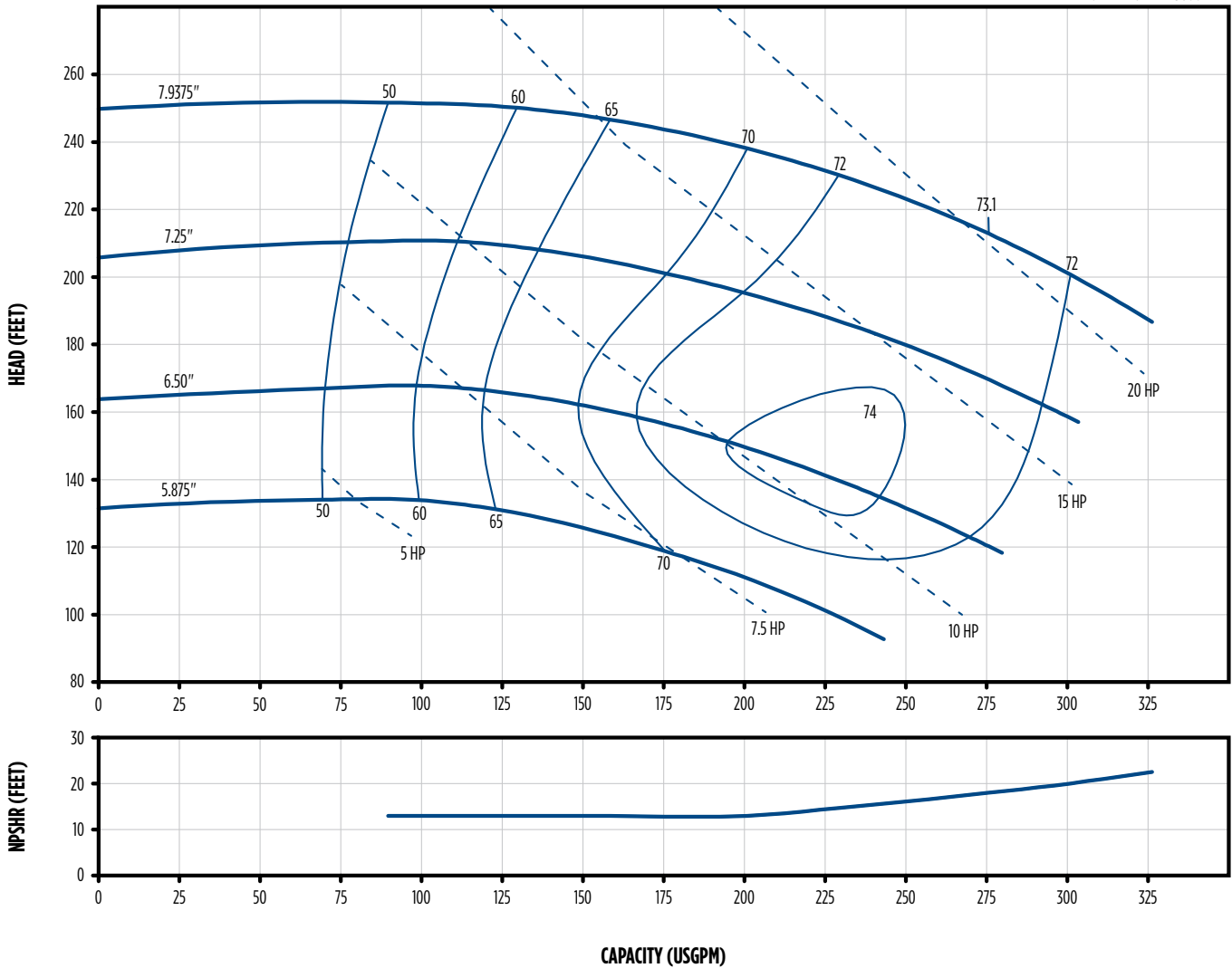
☰ MENU



PERFORMANCE

A2 X 3 - 8

NOMINAL SPEED: 3600 RPM



CENTRIFUGAL PUMPS

CLOSE-COUPLED AG SERIES

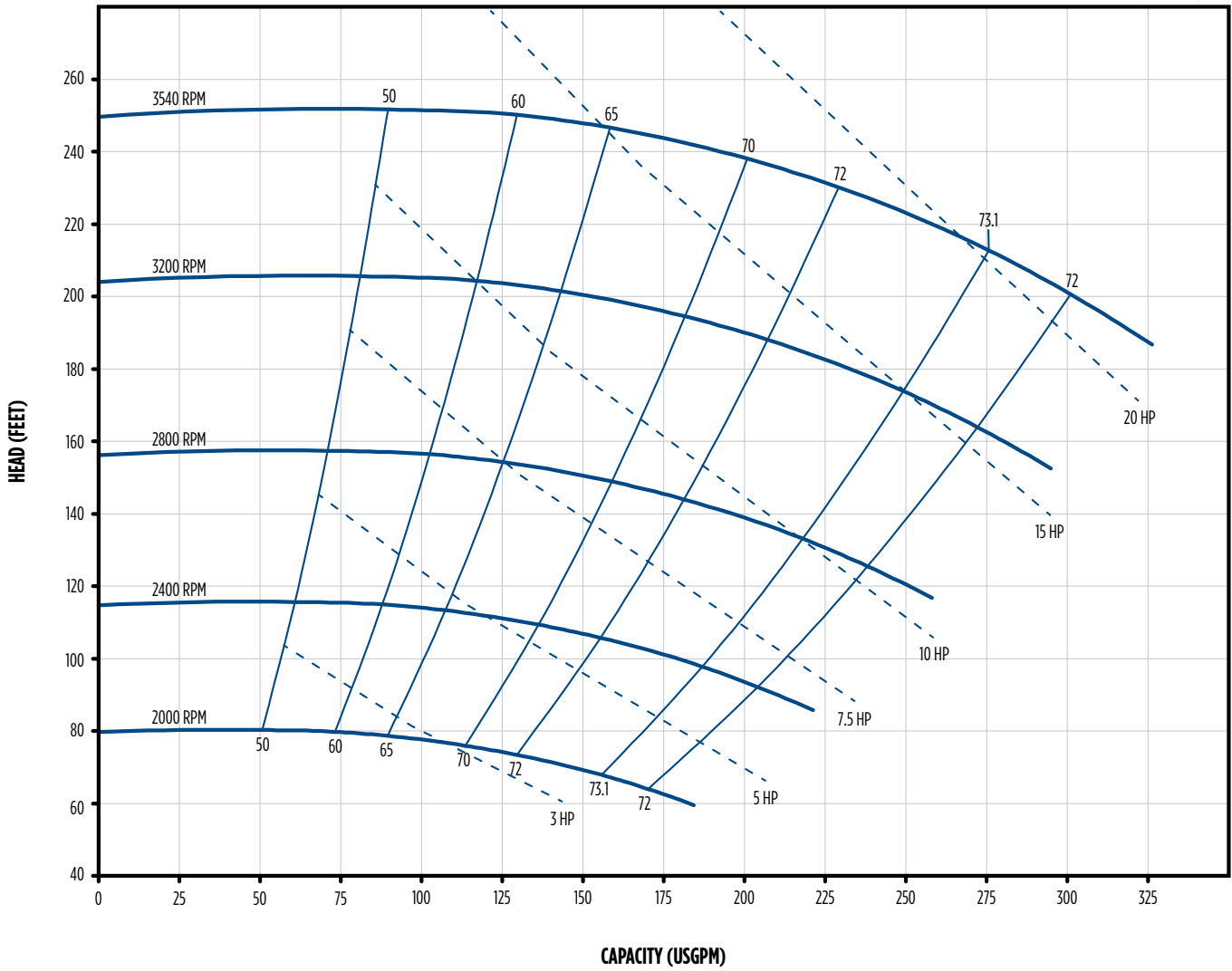
☰ MENU



PERFORMANCE

A2 X 3 - 8

VARIABLE SPEED



CENTRIFUGAL PUMPS

CLOSE-COUPLED AG SERIES

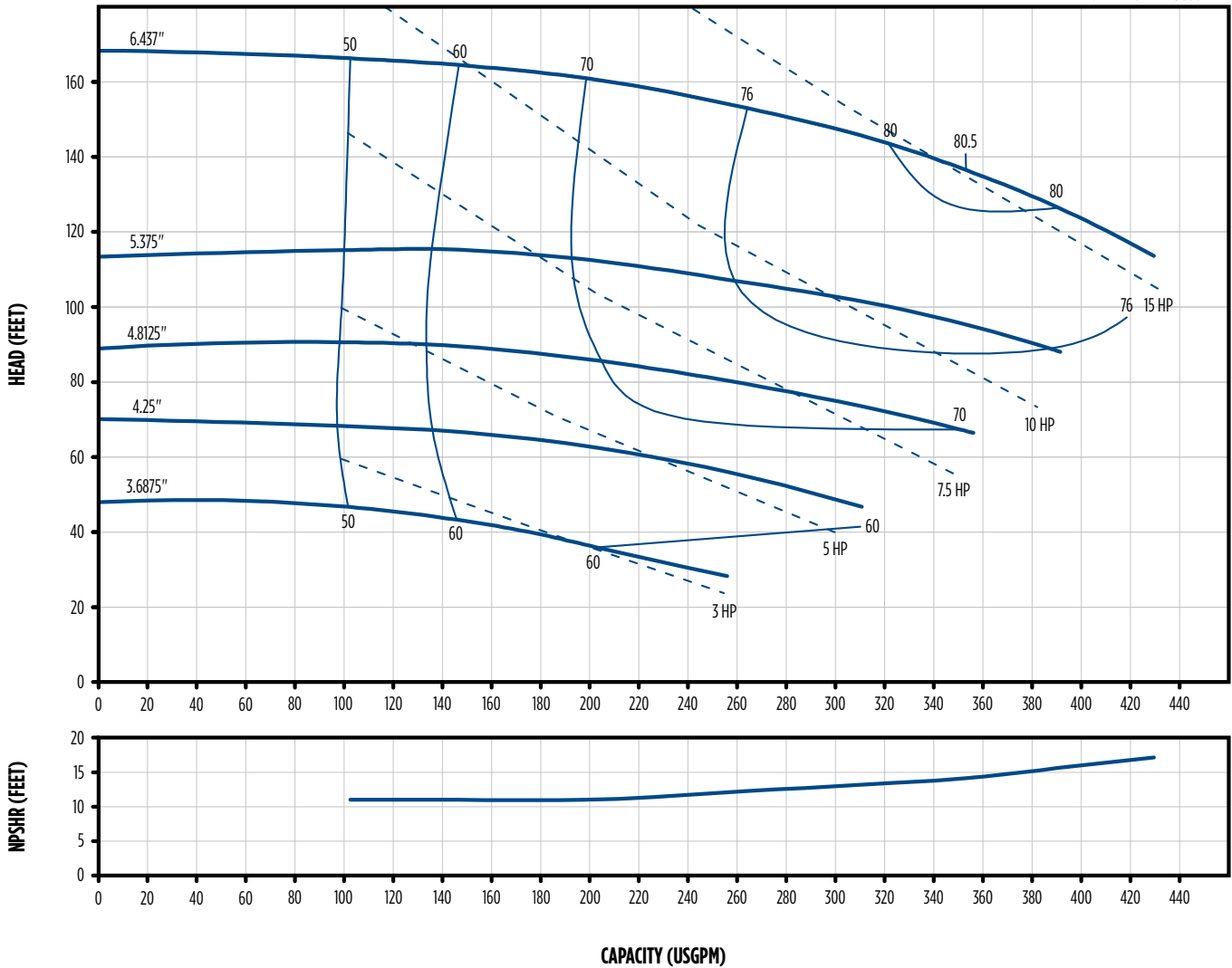
☰ MENU



PERFORMANCE

A2.5 X 3 - 6

NOMINAL SPEED: 3600 RPM



CENTRIFUGAL PUMPS

CLOSE-COUPLED AG SERIES

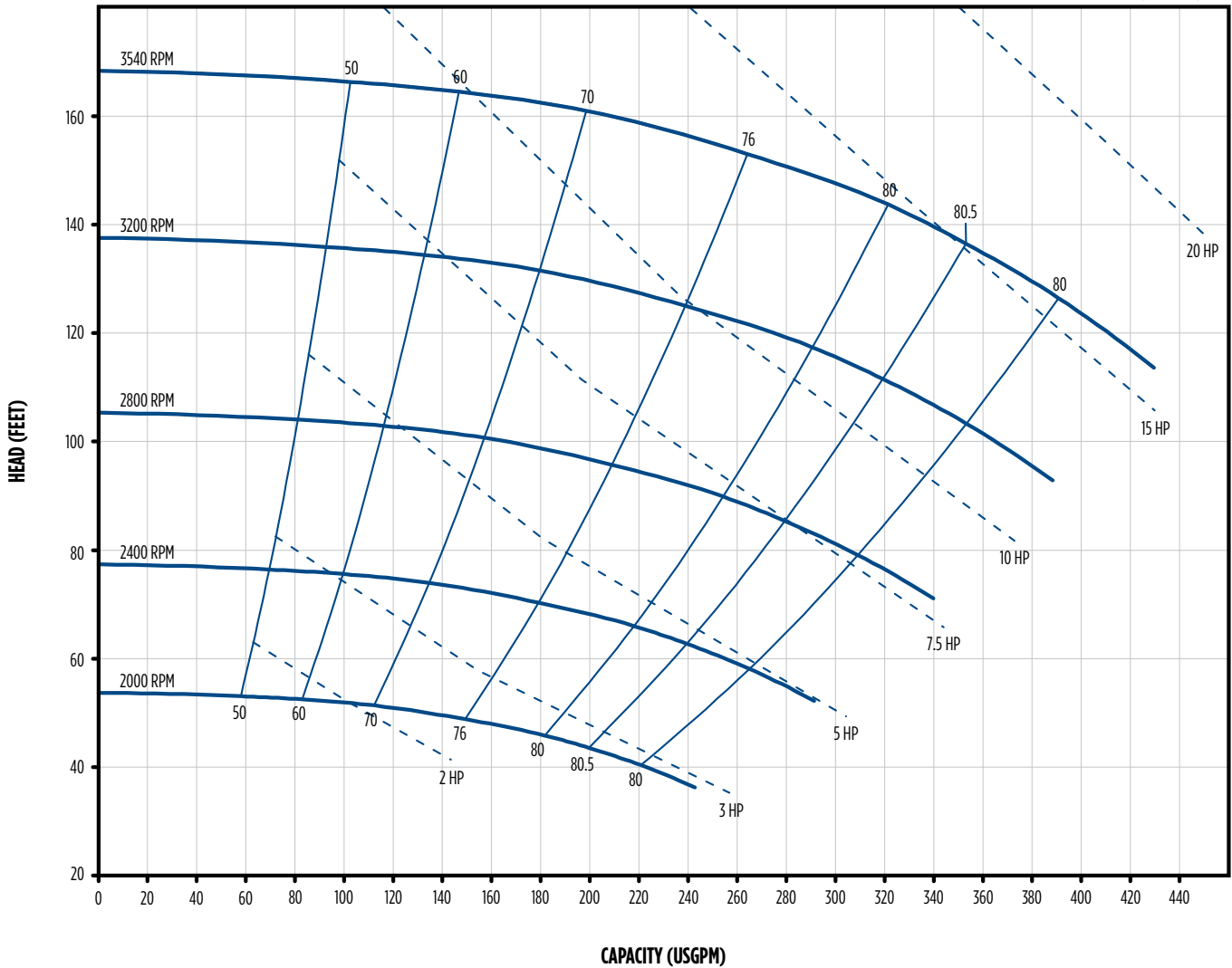
MENU



PERFORMANCE

A2.5 X 3 - 6

VARIABLE SPEED



CENTRIFUGAL PUMPS

CLOSE-COUPLED AG SERIES

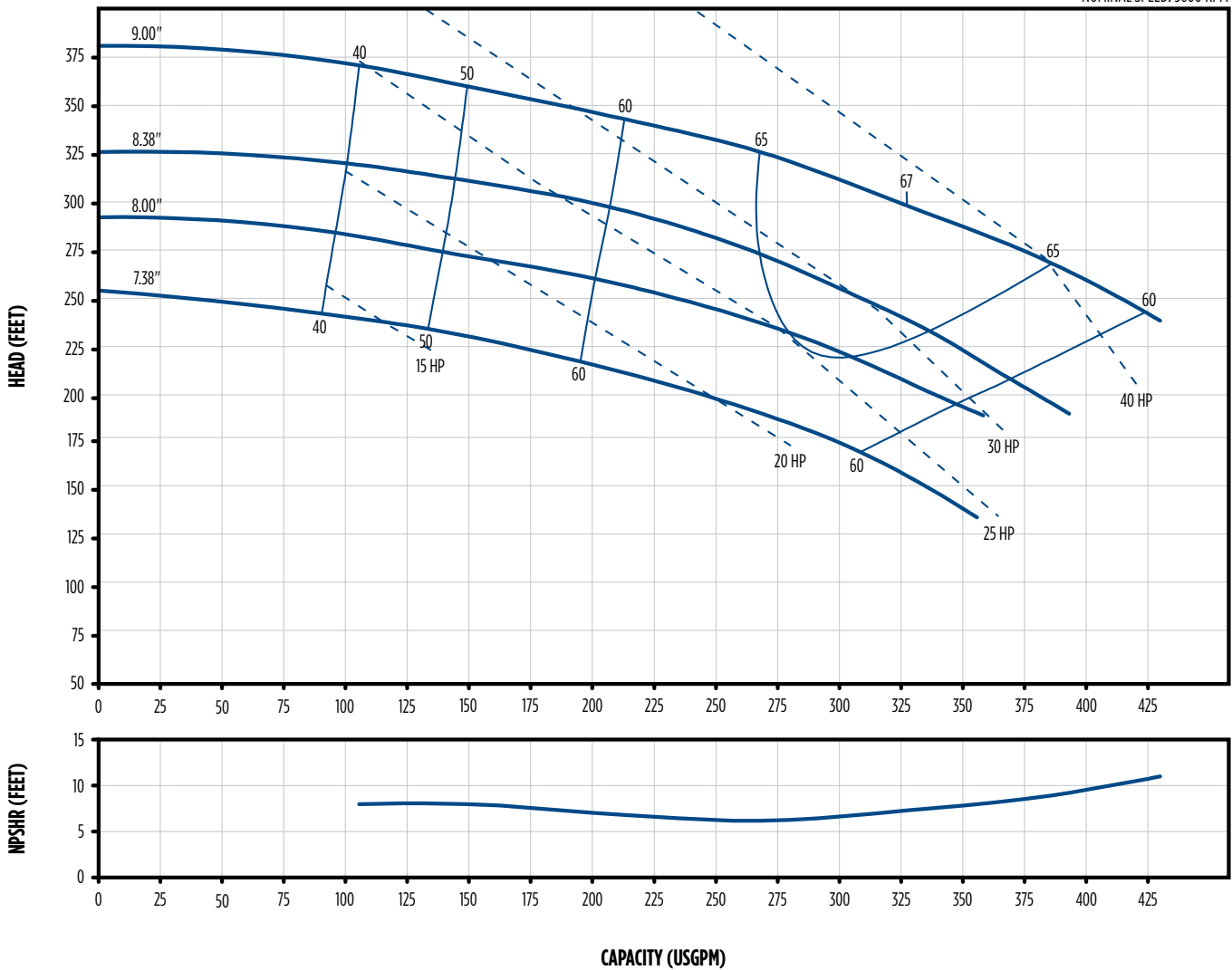
MENU



PERFORMANCE

A2.5 X 4 - 10

NOMINAL SPEED: 3600 RPM



CENTRIFUGAL PUMPS

CLOSE-COUPLED AG SERIES

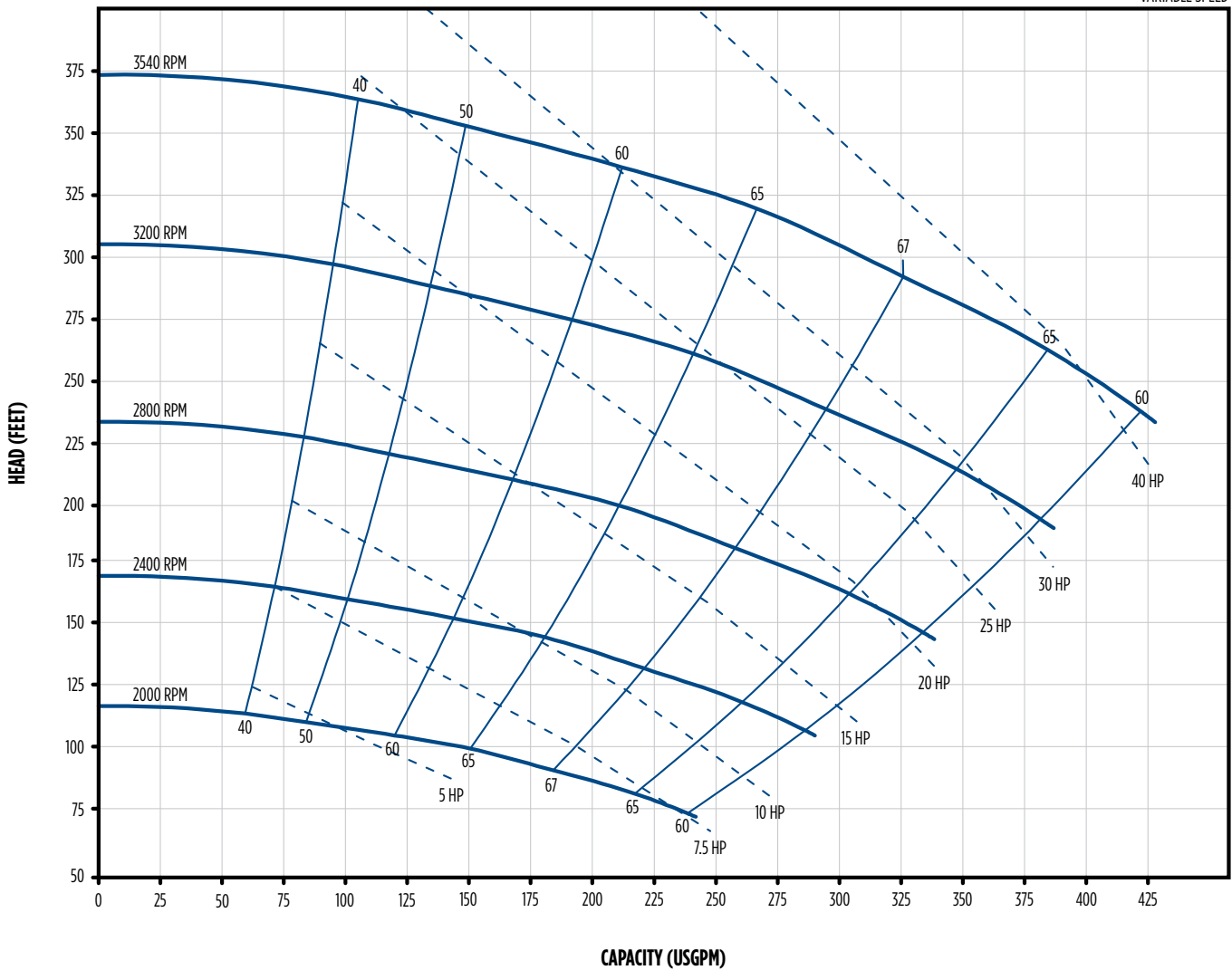
☰ MENU



PERFORMANCE

A2.5 X 4 - 10

VARIABLE SPEED



CENTRIFUGAL PUMPS

CLOSE-COUPLED AG SERIES

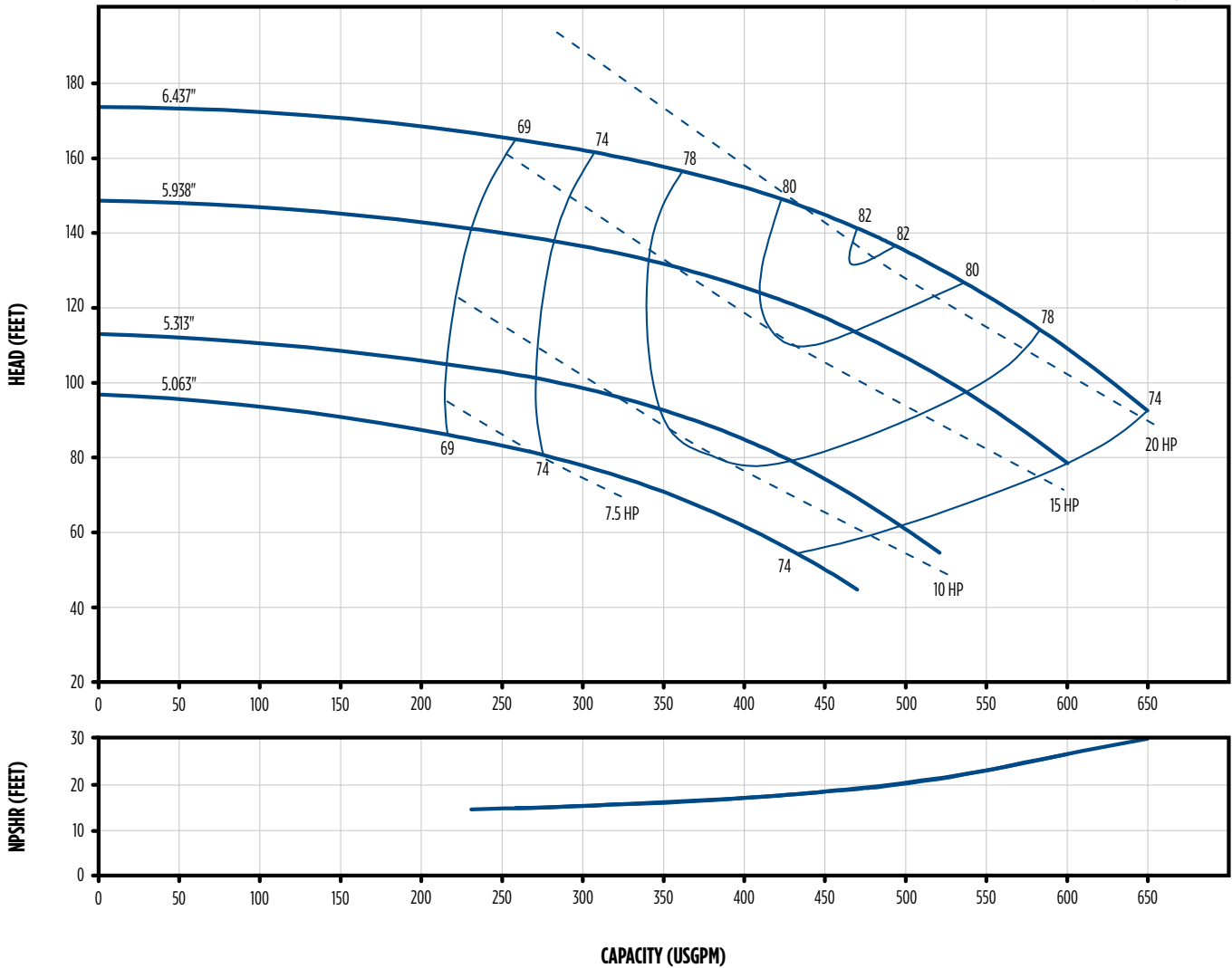
MENU



PERFORMANCE

A3 X 4 - 6

NOMINAL SPEED: 3600 RPM



CENTRIFUGAL PUMPS

CLOSE-COUPLED AG SERIES

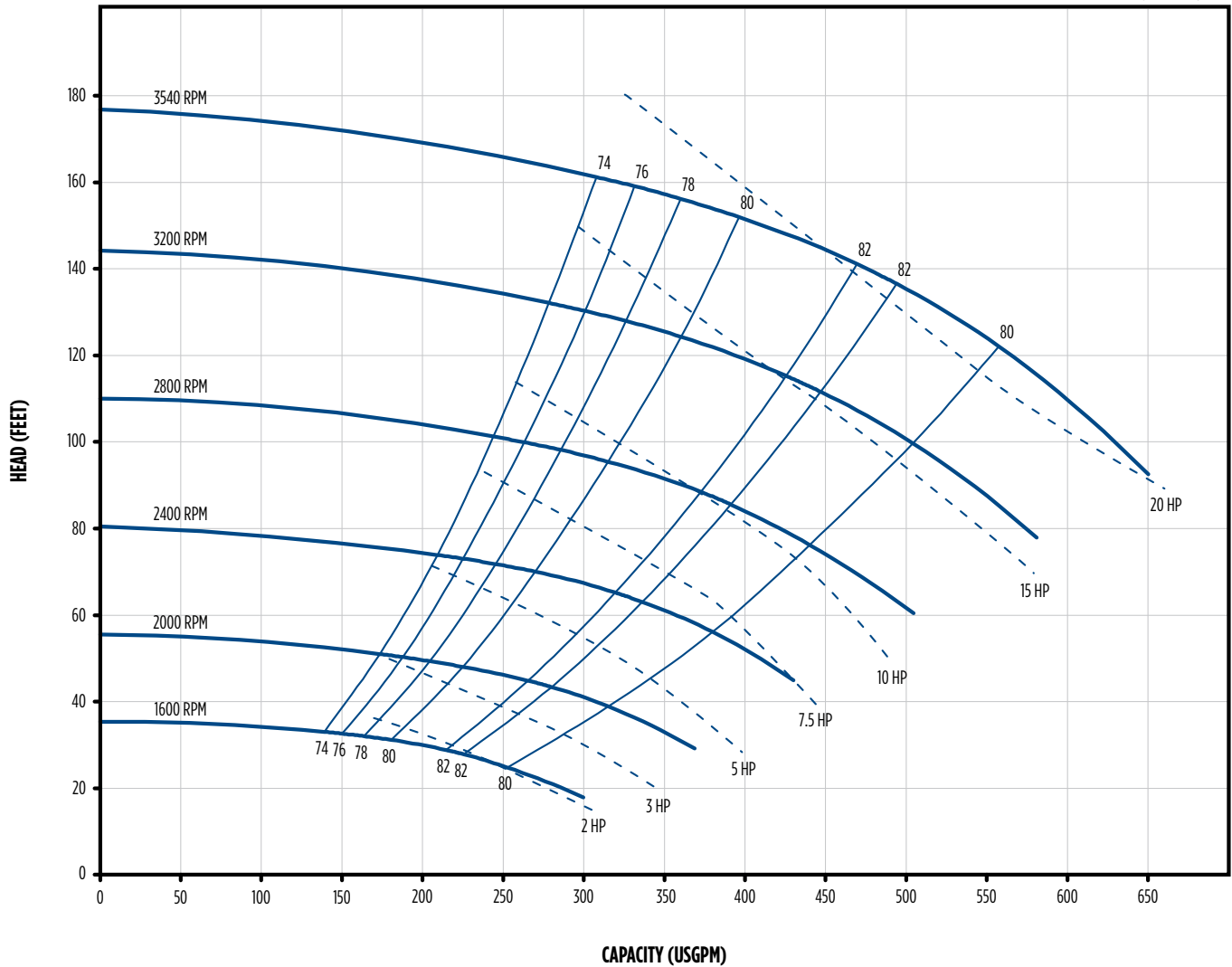
MENU



PERFORMANCE

A3 X 4 - 6

VARIABLE SPEED



CENTRIFUGAL PUMPS

CLOSE-COUPLED AG SERIES

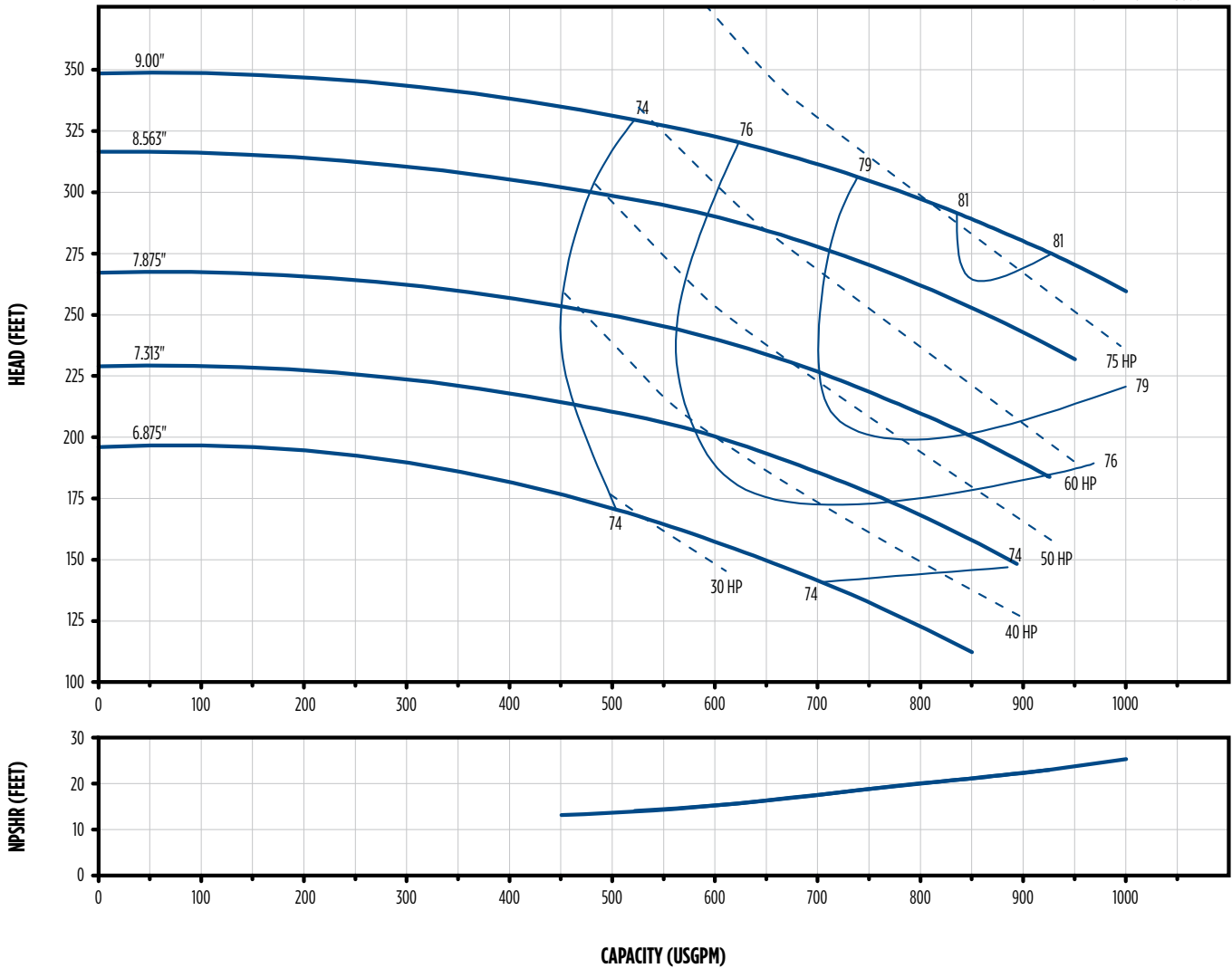
☰ MENU



PERFORMANCE

A3 X 4 - 9

NOMINAL SPEED: 3600 RPM



CENTRIFUGAL PUMPS

CLOSE-COUPLED AG SERIES

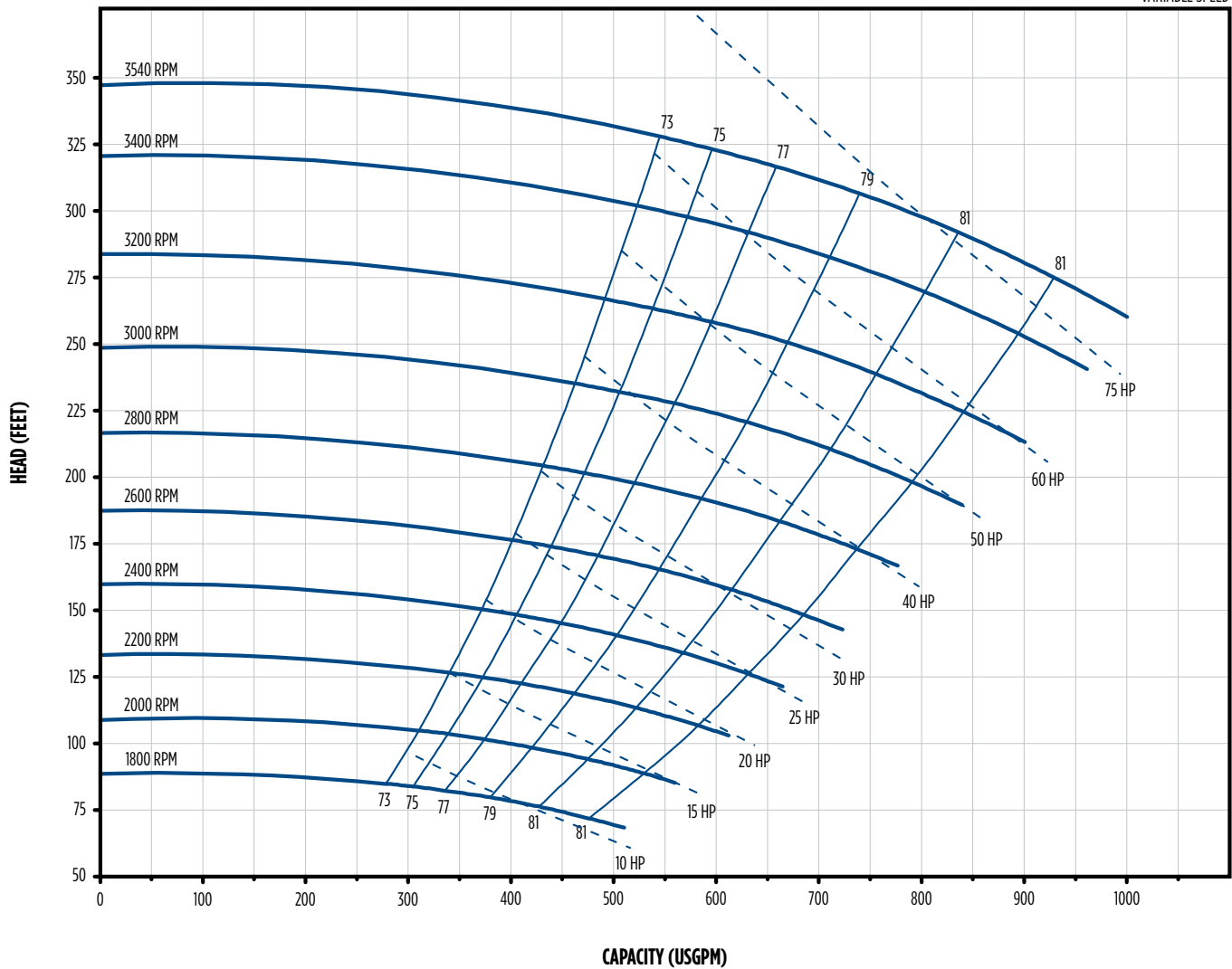
MENU



PERFORMANCE

A3 X 4 - 9

VARIABLE SPEED



CENTRIFUGAL PUMPS

CLOSE-COUPLED AG SERIES

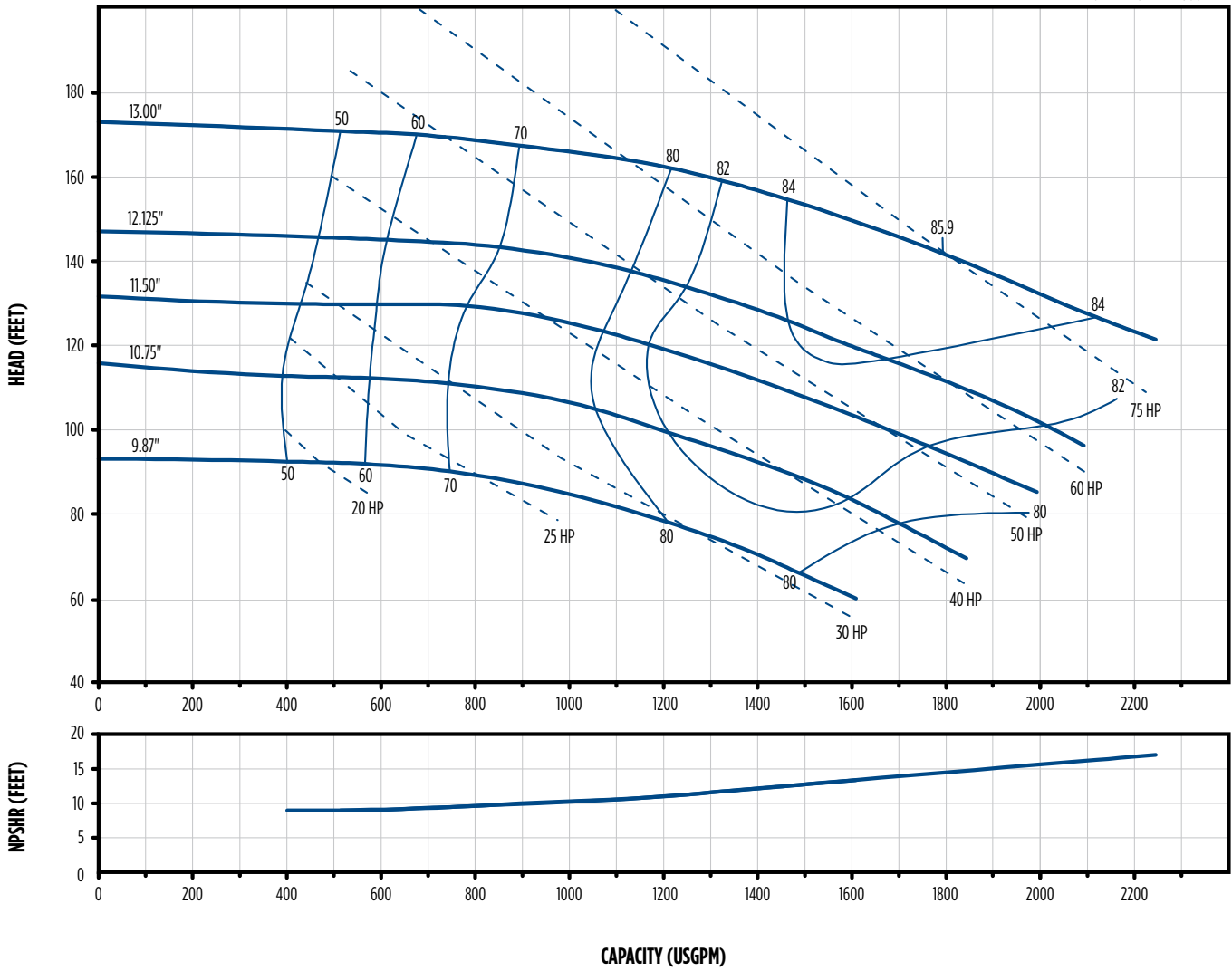
MENU



PERFORMANCE

A6 X 8 - 13

NOMINAL SPEED: 1800 RPM



CENTRIFUGAL PUMPS

CLOSE-COUPLED AG SERIES

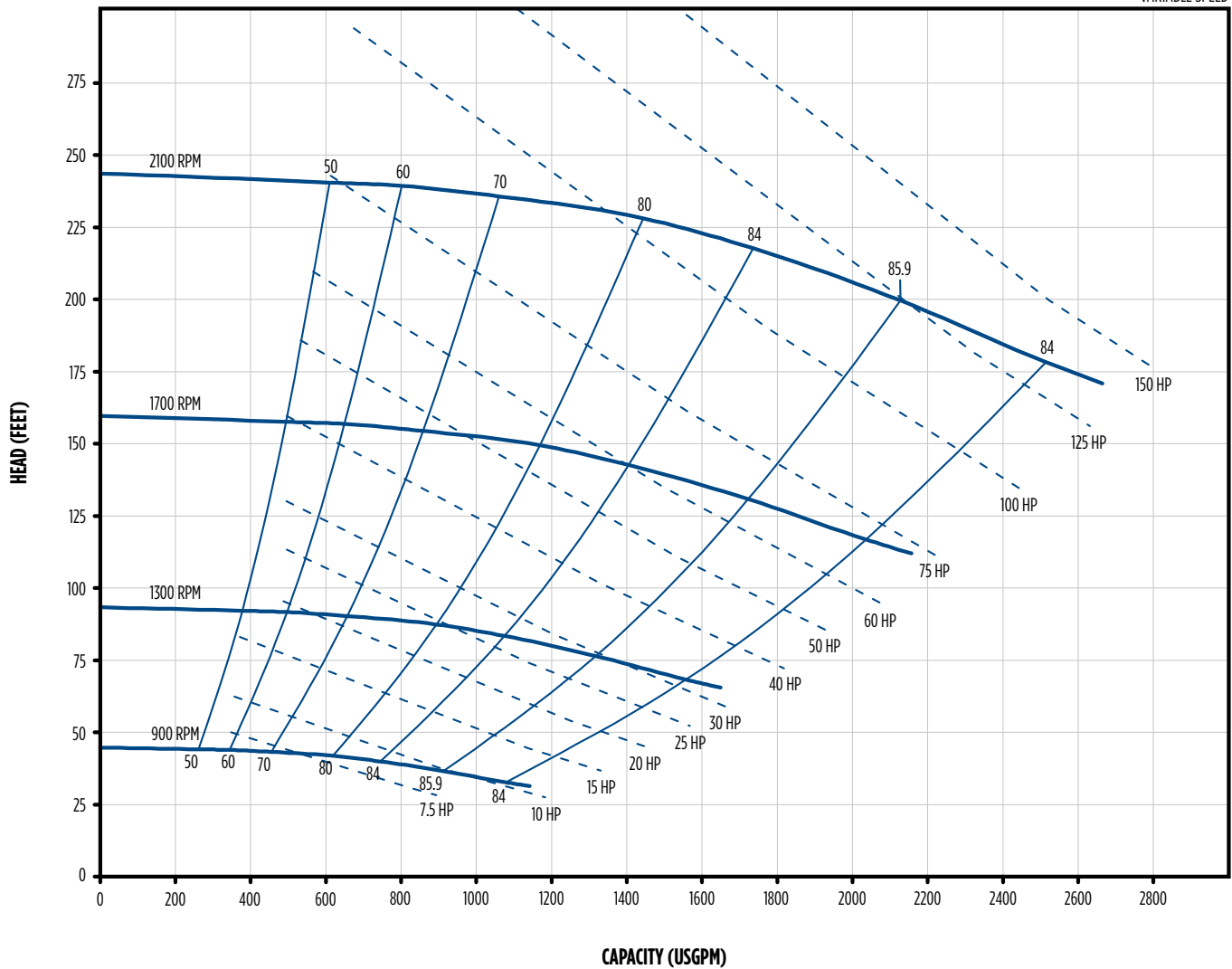
MENU



PERFORMANCE

A6 X 8 - 13

VARIABLE SPEED



CENTRIFUGAL PUMPS

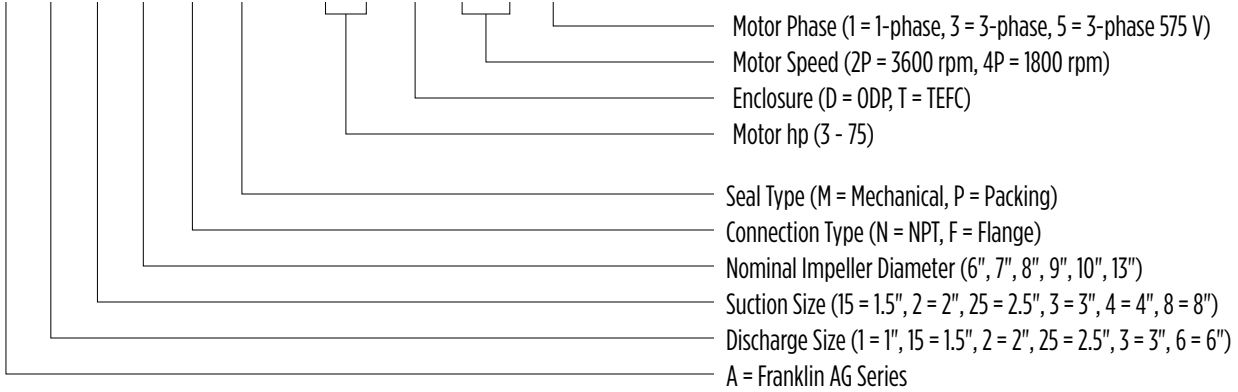
CLOSE-COUPLED AG SERIES

MENU



MODEL NOMENCLATURE

A 3 4 9 N P - 3 0 D 2 P 3



CENTRIFUGAL PUMPS

CLOSE-COUPLED AG SERIES

☰ MENU



ORDER INFORMATION

A1 X1.5 - 7

Series	Sealing	Construction		Type		Speed	Electrical			Trim (in)	Order No.	Description
		Impeller	Connection	Efficiency	Enclosure		HP	Phase	Volts			
A1 x1.5 - 7	Mechanical	Cast Iron	Threaded NPT 1" Discharge 1-1/2" Suction	STD	ODP	60 Hz 3600 RPM	3	1	208-230	5.25	9645219100	A1157NM-3D2P1
				STD				3	208-230/460		9645219105	A1157NM-3D2P3
				PREM				3	575		9645219205	A1157NM-3D2P5
				STD			5	1	208-230	6.13	9645219110	A1157NM-5D2P1
				STD				3	208-230/460		9645219115	A1157NM-5D2P3
				PREM				3	575		9645219215	A1157NM-5D2P5
				STD			7.5	1	208-230	7.13	-	-
				STD				3	208-230/460		9645219125	A1157NM-7.5D2P3
				PREM				3	575		9645219225	A1157NM-7.5D2P5
				STD	TEFC		1	208-230	5.25	9645218100	A1157NM-3T2P1	
				STD			3	208-230/460		9645218105	A1157NM-3T2P3	
				PREM			3	575		9645218205	A1157NM-3T2P5	
				STD			5	1	208-230	6.13	9645218110	A1157NM-5T2P1
				STD				3	208-230/460		9645218115	A1157NM-5T2P3
				PREM				3	575		9645218215	A1157NM-5T2P5
				STD			7.5	1	208-230	7.13	-	-
				STD				3	208-230/460		9645218125	A1157NM-7.5T2P3
				PREM				3	575		9645218225	A1157NM-7.5T2P5
	Packing	Cast Iron	Threaded NPT 1" Discharge 1-1/2" Suction	STD	ODP	60 Hz 3600 RPM	3	1	208-230	5.25	9645119100	A1157NP-3D2P1
				STD				3	208-230/460		9645119105	A1157NP-3D2P3
				PREM				3	575		9645119205	A1157NP-3D2P5
				STD			5	1	208-230	6.13	9645119110	A1157NP-5D2P1
				STD				3	208-230/460		9645119115	A1157NP-5D2P3
				PREM				3	575		9645119215	A1157NP-5D2P5
				STD			7.5	1	208-230	7.13	-	-
				STD				3	208-230/460		9645119125	A1157NP-7.5D2P3
				PREM				3	575		9645119225	A1157NP-7.5D2P5
				STD	TEFC		1	208-230	5.25	9645118100	A1157NP-3T2P1	
				STD			3	208-230/460		9645118105	A1157NP-3T2P3	
				PREM			3	575		9645118205	A1157NP-3T2P5	
				STD			5	1	208-230	6.13	9645118110	A1157NP-5T2P1
				STD				3	208-230/460		9645118115	A1157NP-5T2P3
				PREM				3	575		9645118215	A1157NP-5T2P5
				STD			7.5	1	208-230	7.13	-	-
				STD				3	208-230/460		9645118125	A1157NP-7.5T2P3
				PREM				3	575		9645118225	A1157NP-7.5T2P5

NOTE: Refer to motor section for specifications.

CENTRIFUGAL PUMPS

CLOSE-COUPLED AG SERIES

☰ MENU



ORDER INFORMATION

A1.5 X 2 - 6

Series	Sealing	Construction		Type		Speed	Electrical			Trim (in)	Order No.	Description						
		Impeller	Connection	Efficiency	Enclosure		HP	Phase	Volts									
A1.5 x 2 - 6	Mechanical	Cast Iron	Threaded NPT 1-1/2" Discharge 2" Suction	STD	ODP	60 Hz 3600 RPM	5	1	208-230	5.38	9646219100	A1526NM-5D2P1						
				STD				3	208-230/460		9646219105	A1526NM-5D2P3						
				PREM				3	575		9646219205	A1526NM-5D2P5						
				STD				7.5	1		208-230	9646219110	A1526NM-7.5D2P1					
				STD					3		208-230/460	9646219115	A1526NM-7.5D2P3					
				PREM					3		575	9646219215	A1526NM-7.5D2P5					
				STD			10	1	208-230	9646219120	A1526NM-10D2P1							
				STD				3	208-230/460	9646219125	A1526NM-10D2P3							
				PREM				3	575	9646219225	A1526NM-10D2P5							
				STD			TEFC	5	1	208-230	5.38	9646218100	A1526NM-5T2P1					
				STD						3		208-230/460	9646218105	A1526NM-5T2P3				
				PREM						3		575	9646218205	A1526NM-5T2P5				
				STD	7.5					1		208-230	9646218110	A1526NM-7.5T2P1				
				STD						3		208-230/460	9646218115	A1526NM-7.5T2P3				
				PREM						3		575	9646218215	A1526NM-7.5T2P5				
				STD	10		1	208-230	9646218120	A1526NM-10T2P1								
				STD			3	208-230/460	9646218125	A1526NM-10T2P3								
				PREM			3	575	9646218225	A1526NM-10T2P5								
				Packing	Cast Iron		Threaded NPT 1-1/2" Discharge 2" Suction	Threaded NPT 1-1/2" Discharge 2" Suction	STD	ODP	60 Hz 3600 RPM	5	1	208-230	5.38	9646119100	A1526NP-5D2P1	
									STD				3	208-230/460		9646119105	A1526NP-5D2P3	
									PREM				3	575		9646119205	A1526NP-5D2P5	
									STD				7.5	1		208-230	9646119110	A1526NP-7.5D2P1
									STD					3		208-230/460	9646119115	A1526NP-7.5D2P3
									PREM					3		575	9646119215	A1526NP-7.5D2P5
	STD	10	1			208-230			9646119120			A1526NP-10D2P1						
	STD		3			208-230/460			9646119125			A1526NP-10D2P3						
	PREM		3			575			9646119225			A1526NP-10D2P5						
	STD	TEFC	5			1			208-230			5.38	9646118100	A1526NP-5T2P1				
	STD								3				208-230/460	9646118105	A1526NP-5T2P3			
	PREM								3				575	9646118205	A1526NP-5T2P5			
	STD								7.5	1			208-230	9646118110	A1526NP-7.5T2P1			
	STD									3			208-230/460	9646118115	A1526NP-7.5T2P3			
	PREM									3			575	9646118215	A1526NP-7.5T2P5			
	STD	10	1			208-230			9646118120	A1526NP-10T2P1								
	STD		3			208-230/460			9646118125	A1526NP-10T2P3								
	PREM		3			575			9646118225	A1526NP-10T2P5								

NOTE: Refer to motor section for specifications.

CENTRIFUGAL PUMPS

CLOSE-COUPLED AG SERIES

☰ MENU



ORDER INFORMATION

A2 X 3 - 10

Series	Sealing	Construction		Type		Electrical			Trim (in)	Order No.	Description			
		Impeller	Connection	Efficiency	Enclosure	Speed	HP	Phase				Volts		
A2x3-10	Mechanical	Cast Iron	Threaded NPT 2" Discharge 3" Suction	STD	ODP	60 Hz 3600 RPM	7.5	1	208-230	6.75	9651219100	A2310NM-7.5D2P1		
								3	208-230/460		9651219105	A2310NM-7.5D2P3		
								3	575		9651219205	A2310NM-7.5D2P5		
								PREM	1		208-230	7.38	9651219110	A2310NM-10D2P1
									3		208-230/460		9651219115	A2310NM-10D2P3
									3		575		9651219215	A2310NM-10D2P5
				PREM	3		208-230/460	8.25	9651219120	A2310NM-15D2P3				
					3		575		9651219220	A2310NM-15D2P5				
					3		208-230/460		9.00	9651219125	A2310NM-20D2P3			
				STD	3		575	9651219225		A2310NM-20D2P5				
					PREM		TEFC	7.5		1	208-230	6.75	9651218100	A2310NM-7.5T2P1
									3	208-230/460	9651218105		A2310NM-7.5T2P3	
				3					575	9651218205	A2310NM-7.5T2P5			
				10				1	208-230	7.38	9651218110	A2310NM-10T2P1		
								3	208-230/460		9651218115	A2310NM-10T2P3		
								3	575		9651218215	A2310NM-10T2P5		
				15	3		208-230/460	8.25	9651218120	A2310NM-15T2P3				
					3		575		9651218220	A2310NM-15T2P5				
					20		3		208-230/460	9.00	9651218125	A2310NM-20T2P3		
				3			575	9651218225	A2310NM20T2P5					
				PREM			ODP	7.5	1		208-230	6.75	9651229100	A2310FM-7.5D2P1
					3				208-230/460	9651229105	A2310FM-7.5D2P3			
					3				575	9651229205	A2310FM-7.5D2P5			
					10				1	208-230	7.38		9651229110	A2310FM-10D2P1
			3			208-230/460			9651229115	A2310FM-10D2P3				
			3			575			9651229215	A2310FM-10D2P5				
			15	3	208-230/460	8.25	9651229120	A2310FM-15D2P3						
				3	575		9651229220	A2310FM-15D2P5						
				20	3		208-230/460	9.00	9651229125	A2310FM-20D2P3				
			3		575	9651229225	A2310FM-20D2P5							
			PREM		TEFC	7.5	1		208-230	6.75	9651228100	A2310FM-7.5T2P1		
				3			208-230/460	9651228105	A2310FM-7.5T2P3					
				3			575	9651228205	A2310FM-7.5T2P5					
				10		1	208-230	7.38	9651228110	A2310FM-10T2P1				
						3	208-230/460		9651228115	A2310FM-10T2P3				
						3	575		9651228215	A2310FM-10T2P5				
			15	3	208-230/460	8.25	9651228120	A2310FM-15T2P3						
				3	575		9651228220	A2310FM-15T2P5						
				20	3		208-230/460	9.00	9651228125	A2310FM-20T2P3				
			3		575	9651228225	A2310FM-20T2P5							

NOTE: Refer to motor section for specifications.

Continued >

CENTRIFUGAL PUMPS

CLOSE-COUPLED AG SERIES

☰ MENU



ORDER INFORMATION

A2 X 3 - 10

Series	Sealing	Construction		Type		Electrical			Trim (in)	Order No.	Description			
		Impeller	Connection	Efficiency	Enclosure	Speed	HP	Phase				Volts		
A2X3-10	Packing	Cast Iron	Threaded NPT 2" Discharge 3" Suction	STD	ODP	60 Hz 3600 RPM	7.5	1	208-230	6.75	965119100	A231ONP-7.5D2P1		
								3	208-230/460		965119105	A231ONP-7.5D2P3		
								3	575		965119205	A231ONP-7.5D2P5		
								PREM	1		208-230	7.38	965119110	A231ONP-10D2P1
									3		208-230/460		965119115	A231ONP-10D2P3
									3		575		965119215	A231ONP-10D2P5
				PREM	3		208-230/460	8.25	965119120	A231ONP-15D2P3				
					3		575		965119220	A231ONP-15D2P5				
					3		208-230/460		9.00	965119125	A231ONP-20D2P3			
				3	575		965119225	A231ONP-20D2P5						
				STD	TEFC		7.5	1		208-230	6.75	965118100	A231ONP-7.5T2P1	
								3	208-230/460	965118105		A231ONP-7.5T2P3		
								3	575	965118205		A231ONP-7.5T2P5		
								PREM	1	208-230		7.38	965118110	A231ONP-10T2P1
									3	208-230/460			965118115	A231ONP-10T2P3
									3	575			965118215	A231ONP-10T2P5
				PREM	3		208-230/460	8.25	965118120	A231ONP-15T2P3				
					3		575		965118220	A231ONP-15T2P5				
					3		208-230/460		9.00	965118125	A231ONP-20T2P3			
				3	575		965118225	A231ONP-20T2P5						
				STD	ODP		7.5	1		208-230	6.75	9651129100	A2310FP-7.5D2P1	
								3	208-230/460	9651129105		A2310FP-7.5D2P3		
								3	575	9651129205		A2310FP-7.5D2P5		
								PREM	1	208-230		7.38	9651129110	A2310FP-10D2P1
			3			208-230/460			9651129115	A2310FP-10D2P3				
			3			575			9651129215	A2310FP-10D2P5				
			PREM	3	208-230/460	8.25	9651129120	A2310FP-15D2P3						
				3	575		9651129220	A2310FP-15D2P5						
				3	208-230/460		9.00	9651129125	A2310FP-20D2P3					
			3	575	9651129225	A2310FP-20D2P5								
			STD	TEFC	7.5	1		208-230	6.75	9651128100	A2310FP-7.5T2P1			
						3	208-230/460	9651128105		A2310FP-7.5T2P3				
						3	575	9651128205		A2310FP-7.5T2P5				
						PREM	1	208-230		7.38	9651128110	A2310FP-10T2P1		
							3	208-230/460			9651128115	A2310FP-10T2P3		
							3	575			9651128215	A2310FP-10T2P5		
			PREM	3	208-230/460	8.25	9651128120	A2310FP-15T2P3						
				3	575		9651128220	A2310FP-15T2P5						
				3	208-230/460		9.00	9651128125	A2310FP-20T2P3					
			3	575	9651128225	A2310FP-20T2P5								

NOTE: Refer to motor section for specifications.

CENTRIFUGAL PUMPS

CLOSE-COUPLED AG SERIES

☰ MENU



ORDER INFORMATION

A2 X 2.5 - 6

Series	Sealing	Construction		Type		Electrical			Trim (in)	Order No.	Description		
		Impeller	Connection	Efficiency	Enclosure	Speed	HP	Phase				Volts	
A2 x 2.5 - 6	Mechanical	Cast Iron	Threaded NPT 2" Discharge 2-1/2" Suction	STD	ODP	60 Hz 3600 RPM	3	1	208-230	4.13	9647219100	A2256NM-3D2P1	
								3	208-230/460		9647219105	A2256NM-3D2P3	
								3	575		9647219205	A2256NM-3D2P5	
								5	1		208-230	9647219110	A2256NM-5D2P1
									3		208-230/460	9647219115	A2256NM-5D2P3
									3		575	9647219215	A2256NM-5D2P5
							7.5	1	208-230	9647219120	A2256NM-7.5D2P1		
								3	208-230/460	9647219125	A2256NM-7.5D2P3		
								3	575	9647219225	A2256NM-7.5D2P5		
							10	1	208-230	9647219130	A2256NM-10D2P1		
								3	208-230/460	9647219135	A2256NM-10D2P3		
								3	575	9647219235	A2256NM-10D2P5		
				15	3		208-230/460	9647219140	A2256NM-15D2P3				
					3		575	9647219240	A2256NM-15D2P5				
					TEFC		3	1	208-230	9647218100	A2256NM-3T2P1		
				3				208-230/460	9647218105	A2256NM-3T2P3			
				3				575	9647218205	A2256NM-3T2P5			
				5			1	208-230	9647218110	A2256NM-5T2P1			
							3	208-230/460	9647218115	A2256NM-5T2P3			
							3	575	9647218215	A2256NM-5T2P5			
				7.5	1		208-230	9647218120	A2256NM-7.5T2P1				
					3		208-230/460	9647218125	A2256NM-7.5T2P3				
					3		575	9647218225	A2256NM-7.5T2P5				
				10	1		208-230	9647218130	A2256NM-10T2P1				
			3		208-230/460	9647218135	A2256NM-10T2P3						
			3		575	9647218235	A2256NM-10T2P5						
			15	3	208-230/460	9647218140	A2256NM-15T2P3						
				3	575	9647218240	A2256NM-15T2P5						
				TEFC	3	1	208-230	9647229100	A2256FM-3D2P1				
			3			208-230/460	9647229105	A2256FM-3D2P3					
			3			575	9647229205	A2256FM-3D2P5					
			5			1	208-230	9647229110	A2256FM-5D2P1				
						3	208-230/460	9647229115	A2256FM-5D2P3				
						3	575	9647229215	A2256FM-5D2P5				
			7.5		1	208-230	9647229120	A2256FM-7.5D2P1					
					3	208-230/460	9647229125	A2256FM-7.5D2P3					
					3	575	9647229225	A2256FM-7.5D2P5					
			10		1	208-230	9647229130	A2256FM-10D2P1					
					3	208-230/460	9647229135	A2256FM-10D2P3					
					3	575	9647229235	A2256FM-10D2P5					
			15	3	208-230/460	9647229140	A2256FM-15D2P3						
				3	575	9647229240	A2256FM-15D2P5						
				TEFC	3	1	208-230	9647228100	A2256FM-3T2P1				
			3			208-230/460	9647228105	A2256FM-3T2P3					
			3			575	9647228205	A2256FM-3T2P5					
			5		1	208-230	9647228110	A2256FM-5T2P1					
					3	208-230/460	9647228115	A2256FM-5T2P3					
					3	575	9647228215	A2256FM-5T2P5					
7.5	1	208-230	9647228120	A2256FM-7.5T2P1									
	3	208-230/460	9647228125	A2256FM-7.5T2P3									
	3	575	9647228225	A2256FM-7.5T2P5									
10	1	208-230	9647228130	A2256FM-10T2P1									
	3	208-230/460	9647228135	A2256FM-10T2P3									
	3	575	9647228235	A2256FM-10T2P5									
15	3	208-230/460	9647228140	A2256FM-15T2P3									
	3	575	9647228240	A2256FM-15T2P5									

NOTE: Refer to motor section for specifications.

Continued >

CENTRIFUGAL PUMPS

CLOSE-COUPLED AG SERIES

☰ MENU



ORDER INFORMATION

A2 X 2.5 - 6

Series	Sealing	Construction		Type		Electrical			Trim (in)	Order No.	Description	
		Impeller	Connection	Efficiency	Enclosure	Speed	HP	Phase				Volts
A2 x 2.5 - 6	Packing	Cast Iron	Threaded NPT 2" Discharge 2-1/2" Suction	STD	ODP	60 Hz 3600 RPM	3	1	208-230	4.13	9647119100	A2256NP-3D2P1
								3	208-230/460		9647119105	A2256NP-3D2P3
								3	575		9647119205	A2256NP-3D2P5
							5	1	208-230	4.75	9647119110	A2256NP-5D2P1
								3	208-230/460		9647119115	A2256NP-5D2P3
								3	575		9647119215	A2256NP-5D2P5
							7.5	1	208-230	5.50	9647119120	A2256NP-7.5D2P1
								3	208-230/460		9647119125	A2256NP-7.5D2P3
								3	575		9647119225	A2256NP-7.5D2P5
							10	1	208-230	6.00	9647119130	A2256NP-10D2P1
								3	208-230/460		9647119135	A2256NP-10D2P3
								3	575		9647119235	A2256NP-10D2P5
							15	3	208-230/460	6.50	9647119140	A2256NP-15D2P3
								3	575		9647119240	A2256NP-15D2P5
								1	208-230		9647118100	A2256NP-3T2P1
							3	3	208-230/460	4.13	9647118105	A2256NP-3T2P3
								3	575		9647118205	A2256NP-3T2P5
								1	208-230		9647118110	A2256NP-5T2P1
							5	3	208-230/460	4.75	9647118115	A2256NP-5T2P3
								3	575		9647118215	A2256NP-5T2P5
								1	208-230		9647118120	A2256NP-7.5T2P1
							7.5	3	208-230/460	5.50	9647118125	A2256NP-7.5T2P3
								3	575		9647118225	A2256NP-7.5T2P5
								1	208-230		9647118130	A2256NP-10T2P1
							10	3	208-230/460	6.00	9647118135	A2256NP-10T2P3
								3	575		9647118235	A2256NP-10T2P5
								3	208-230/460		6.50	9647118140
							3	575	9647118240	A2256NP-15T2P5		
							1	208-230	9647129100	A2256FP-3D2P1		
							3	3	208-230/460	4.13	9647129105	A2256FP-3D2P3
			3	575	9647129205			A2256FP-3D2P5				
			1	208-230	9647129110			A2256FP-5D2P1				
			5	3	208-230/460		4.75	9647129115	A2256FP-5D2P3			
				3	575			9647129215	A2256FP-5D2P5			
				1	208-230			9647129120	A2256FP-7.5D2P1			
			7.5	3	208-230/460		5.50	9647129125	A2256FP-7.5D2P3			
				3	575			9647129225	A2256FP-7.5D2P5			
				1	208-230			9647129130	A2256FP-10D2P1			
			10	3	208-230/460		6.00	9647129135	A2256FP-10D2P3			
				3	575			9647129235	A2256FP-10D2P5			
				3	208-230/460			6.50	9647129140	A2256FP-15D2P3		
			3	575	9647129240		A2256FP-15D2P5					
			1	208-230	9647128100		A2256FP-3T2P1					
			3	3	208-230/460		4.13	9647128105	A2256FP-3T2P3			
				3	575			9647128205	A2256FP-3T2P5			
				1	208-230			9647128110	A2256FP-5T2P1			
			5	3	208-230/460		4.75	9647128115	A2256FP-5T2P3			
				3	575			9647128215	A2256FP-5T2P5			
				1	208-230			9647128120	A2256FP-7.5T2P1			
			7.5	3	208-230/460		5.50	9647128125	A2256FP-7.5T2P3			
				3	575			9647128225	A2256FP-7.5T2P5			
				1	208-230			9647128130	A2256FP-10T2P1			
			10	3	208-230/460		6.00	9647128135	A2256FP-10T2P3			
				3	575			9647128235	A2256FP-10T2P5			
				3	208-230/460			6.50	9647128140	A2256FP-15T2P3		
			3	575	9647128240		A2256FP-15T2P5					

NOTE: Refer to motor section for specifications.

CENTRIFUGAL PUMPS

CLOSE-COUPLED AG SERIES

☰ MENU



ORDER INFORMATION

A2 X 3 - 8

Series	Sealing	Construction		Type		Electrical			Trim (in)	Order No.	Description					
		Impeller	Connection	Efficiency	Enclosure	Speed	HP	Phase				Volts				
A2x3-8	Mechanical	Cast Iron	Threaded NPT 2" Discharge 3" Suction	STD	ODP	60 Hz 3600 RPM	7.5	1	208-230	5.88	9650219100	A238NM-7.5D2P1				
								3	208-230/460		9650219105	A238NM-7.5D2P3				
								3	575		9650219205	A238NM-7.5D2P5				
								1	208-230		6.50	9650219110	A238NM-10D2P1			
								3	208-230/460			9650219115	A238NM-10D2P3			
								3	575			9650219215	A238NM-10D2P5			
				3	208-230/460		7.25	9650219120	A238NM-15D2P3							
				3	575			9650219220	A238NM-15D2P5							
				3	208-230/460			7.94	9650219125	A238NM-20D2P3						
				3	575				9650219225	A238NM-20D2P5						
				STD	TEFC				7.5	1	208-230	5.88	9650218100	A238NM-7.5T2P1		
										3	208-230/460		9650218105	A238NM-7.5T2P3		
							3			575	9650218205		A238NM-7.5T2P5			
							1			208-230	6.50		9650218110	A238NM-10T2P1		
							3	208-230/460		9650218115			A238NM-10T2P3			
							3	575		9650218215			A238NM-10T2P5			
							3	208-230/460	7.25	9650218120		A238NM-15T2P3				
							3	575		9650218220		A238NM-15T2P5				
							3	208-230/460		7.94		9650218125	A238NM-20T2P3			
							3	575			9650218225	A238NM-20T2P5				
							PREM	ODP			7.5	1	208-230	5.88	9650229100	A238FM-7.5D2P1
												3	208-230/460		9650229105	A238FM-7.5D2P3
				3	575				9650229205			A238FM-7.5D2P5				
				1	208-230				6.50			9650229110	A238FM-10D2P1			
			3	208-230/460	9650229115	A238FM-10D2P3										
			3	575	9650229215	A238FM-10D2P5										
			3	208-230/460	7.25	9650229120				A238FM-15D2P3						
			3	575		9650229220				A238FM-15D2P5						
			3	208-230/460		7.94				9650229125	A238FM-20D2P3					
			3	575					9650229225	A238FM-20D2P5						
			STD	TEFC					7.5	1	208-230	5.88	9650228100	A238FM-7.5T2P1		
										3	208-230/460		9650228105	A238FM-7.5T2P3		
					3		575	9650228205		A238FM-7.5T2P5						
					1		208-230	6.50		9650228110	A238FM-10T2P1					
					3	208-230/460	9650228115			A238FM-10T2P3						
					3	575	9650228215			A238FM-10T2P5						
					3	208-230/460	7.25		9650228120	A238FM-15T2P3						
					3	575			9650228220	A238FM-15T2P5						
					3	208-230/460			7.94	9650228125	A238FM-20T2P3					
					3	575		9650228225		A238FM-20T2P5						

NOTE: Refer to motor section for specifications.

Continued >

CENTRIFUGAL PUMPS

CLOSE-COUPLED AG SERIES

☰ MENU



ORDER INFORMATION

A2 X 3 - 8

Series	Sealing	Construction		Type		Electrical			Trim (in)	Order No.	Description			
		Impeller	Connection	Efficiency	Enclosure	Speed	HP	Phase				Volts		
A2x3-8	Packing	Cast Iron	Threaded NPT 2" Discharge 3" Suction	STD	ODP	60 Hz 3600 RPM	7.5	1	208-230	5.88	9650119100	A238NP-7.5D2P1		
				PREM				3	208-230/460		9650119105	A238NP-7.5D2P3		
				STD				3	575		9650119205	A238NP-7.5D2P5		
				PREM				1	208-230		6.50	9650119110	A238NP-10D2P1	
								3	208-230/460			9650119115	A238NP-10D2P3	
								3	575			9650119215	A238NP-10D2P5	
				PREM			3	208-230/460	7.25	9650119120	A238NP-15D2P3			
							3	575		9650119220	A238NP-15D2P5			
							3	208-230/460		7.94	9650119125	A238NP-20D2P3		
				3			575	9650119225	A238NP-20D2P5					
				STD			TEFC	1	208-230		5.88	9650118100	A238NP-7.5T2P1	
								3	208-230/460	9650118105		A238NP-7.5T2P3		
					3			575	9650118205	A238NP-7.5T2P5				
				PREM	1			208-230	6.50	9650118110		A238NP-10T2P1		
					3			208-230/460		9650118115		A238NP-10T2P3		
					3			575		9650118215		A238NP-10T2P5		
				PREM	3			208-230/460	7.25	9650118120	A238NP-15T2P3			
					3			575		9650118220	A238NP-15T2P5			
					3			208-230/460		7.94	9650118125	A238NP-20T2P3		
				3	575			9650118225	A238NP-20T2P5					
				Flanged 2" Discharge 3" Suction	ODP			STD	7.5		1	208-230	5.88	9650129100
								PREM		3	208-230/460	9650129105		A238FP-7.5D2P3
							STD	3		575	9650129205	A238FP-7.5D2P5		
							PREM	1		208-230	6.50	9650129110		A238FP-10D2P1
			3			208-230/460		9650129115		A238FP-10D2P3				
			3			575		9650129215		A238FP-10D2P5				
			PREM			3	208-230/460	7.25	9650129120	A238FP-15D2P3				
						3	575		9650129220	A238FP-15D2P5				
						3	208-230/460		7.94	9650129125	A238FP-20D2P3			
			3			575	9650129225	A238FP-20D2P5						
			TEFC			7.5	1	208-230		5.88	9650128100	A238FP-7.5T2P1		
							3	208-230/460	9650128105		A238FP-7.5T2P3			
					3		575	9650128205	A238FP-7.5T2P5					
					PREM		1	208-230	6.50		9650128110	A238FP-10T2P1		
							3	208-230/460			9650128115	A238FP-10T2P3		
							3	575			9650128215	A238FP-10T2P5		
					PREM	3	208-230/460	7.25	9650128120	A238FP-15T2P3				
						3	575		9650128220	A238FP-15T2P5				
						3	208-230/460		7.94	9650128125	A238FP-20T2P3			
					3	575	9650128225	A238FP-20T2P5						

NOTE: Refer to motor section for specifications.

CENTRIFUGAL PUMPS

CLOSE-COUPLED AG SERIES

☰ MENU



ORDER INFORMATION

A2.5 X 3 - 6

Series	Sealing	Construction		Type		Electrical			Trim (in)	Order No.	Description																															
		Impeller	Connection	Efficiency	Enclosure	Speed	HP	Phase				Volts																														
2.5x3-6	Mechanical	Cast Iron	Threaded NPT 2.5" Discharge 3" Suction	ODP	STD	60 Hz 3600 RPM	3	1	208-230	3.69	9653219100	A2536NM-3D2P1																														
					STD			3	208-230/460		9653219105	A2536NM-3D2P3																														
					PREM			3	575		9653219205	A2536NM-3D2P5																														
					STD			60 Hz 3600 RPM	5		1	208-230	4.25	9653219110	A2536NM-5D2P1																											
					STD						3	208-230/460		9653219115	A2536NM-5D2P3																											
					PREM						3	575		9653219215	A2536NM-5D2P5																											
					STD						60 Hz 3600 RPM	7.5		1	208-230	4.81	9653219120	A2536NM-7.5D2P1																								
					STD									3	208-230/460		9653219125	A2536NM-7.5D2P3																								
					PREM									3	575		9653219225	A2536NM-7.5D2P5																								
					STD									60 Hz 3600 RPM	10		1	208-230	5.38	9653219130	A2536NM-10D2P1																					
					STD												3	208-230/460		9653219135	A2536NM-10D2P3																					
					PREM												3	575		9653219235	A2536NM-10D2P5																					
					STD												60 Hz 3600 RPM	15		3	208-230/460	6.44	9653219140	A2536NM-15D2P3																		
					PREM															3	575		9653219240	A2536NM-15D2P5																		
					STD															60 Hz 3600 RPM	3		1	208-230	3.69	9653218100	A2536NM-3T2P1															
					STD																		3	208-230/460		9653218105	A2536NM-3T2P3															
					PREM																		3	575		9653218205	A2536NM-3T2P5															
					STD																		60 Hz 3600 RPM	5		1	208-230	4.25	9653218110	A2536NM-5T2P1												
					STD																					3	208-230/460		9653218115	A2536NM-5T2P3												
					PREM																					3	575		9653218215	A2536NM-5T2P5												
					STD																					60 Hz 3600 RPM	7.5		1	208-230	4.81	9653218120	A2536NM-7.5T2P1									
					PREM																								3	208-230/460		9653218125	A2536NM-7.5T2P3									
					PREM																								3	575		9653218225	A2536NM-7.5T2P5									
					STD																								60 Hz 3600 RPM	10		1	208-230	5.38	9653218130	A2536NM-10TSP1						
					STD																											3	208-230/460		9653218135	A2536NM-10T2P3						
					PREM																											3	575		9653218235	A2536NM-10T2P5						
					STD																											60 Hz 3600 RPM	15		3	208-230/460	6.44	9653218140	A2536NM-15T2P3			
					PREM																														3	575		9653218240	A2536NM-15T2P5			
					STD																														60 Hz 3600 RPM	3		1	208-230	3.69	9653229100	A2536FM-3D2P1
					STD																																	3	208-230/460		9653229105	A2536FM-3D2P3
			PREM	3	575	9653229205	A2536FM-3D2P5																																			
			STD	60 Hz 3600 RPM	5	1	208-230			4.25																												9653229110	A2536FM-5D2P1			
			STD			3	208-230/460																															9653229115	A2536FM-5D2P3			
			PREM			3	575	9653229215	A2536FM-5D2P5																																	
			STD			60 Hz 3600 RPM	7.5	1	208-230				4.81																									9653229120	A2536FM-7.5D2P1			
			STD					3	208-230/460																													9653229125	A2536FM-7.5D2P3			
			PREM					3	575		9653229225	A2536FM-7.5D2P5																														
			STD					60 Hz 3600 RPM	10		1	208-230				5.38																						9653229130	A2536FM-10D2P1			
			STD								3	208-230/460																										9653229135	A2536FM-10D2P3			
			PREM								3	575		9653229235	A2536FM-10D2P5																											
			STD								60 Hz 3600 RPM	15		3	208-230/460				6.44																			9653229140	A2536FM-15D2P3			
			PREM											3	575																							9653229240	A2536FM-15D2P5			
			STD											60 Hz 3600 RPM	3		1	208-230				3.69																9653228100	A2536FM-3T2P1			
			STD														3	208-230/460																				9653228105	A2536FM-3T2P3			
			PREM														3	575		9653228205	A2536FM-3T2P5																					
			STD														60 Hz 3600 RPM	5		1	208-230				4.25													9653228110	A2536FM-5T2P1			
			STD																	3	208-230/460																	9653228115	A2536FM-5T2P3			
			PREM																	3	575		9653228215	A2536FM-5T2P5																		
			STD																	60 Hz 3600 RPM	7.5		1	208-230				4.81										9653228120	A2536FM-7.5T2P1			
			PREM																				3	208-230/460														9653228125	A2536FM-7.5T2P3			
			PREM																				3	575		9653228225	A2536FM-7.5T2P5															
			STD																				60 Hz 3600 RPM	10		1	208-230				5.38							9653228130	A2536FM-10T2P1			
			STD																							3	208-230/460											9653228135	A2536FM-10T2P3			
			PREM																							3	575		9653228235	A2536FM-10T2P5												
			STD																							60 Hz 3600 RPM	15		3	208-230/460				6.44				9653228140	A2536FM-15T2P3			
			PREM																										3	575								9653228240	A2536FM-15T2P5			

NOTE: Refer to motor section for specifications.

Continued >

CENTRIFUGAL PUMPS

CLOSE-COUPLED AG SERIES

☰ MENU



ORDER INFORMATION

A2.5 X 3 - 6

Series	Sealing	Construction		Type		Electrical			Trim (in)	Order No.	Description							
		Impeller	Connection	Efficiency	Enclosure	Speed	HP	Phase				Volts						
2.5x3-6	Packing	Cast Iron	Threaded NPT 2.5" Discharge 3" Suction	ODP	60 Hz 3600 RPM	3	1	208-230	3.69	9653119100	A2536NP-3D2P1							
							3	208-230/460		9653119105	A2536NP-3D2P3							
							3	575		9653119205	A2536NP-3D2P5							
							1	208-230		4.25	9653119110	A2536NP-5D2P1						
							3	208-230/460			9653119115	A2536NP-5D2P3						
							3	575			9653119215	A2536NP-5D2P5						
							1	208-230			4.81	9653119120	A2536NP-7.5D2P1					
							3	208-230/460				9653119125	A2536NP-7.5D2P3					
							3	575				9653119225	A2536NP-7.5D2P5					
							1	208-230				5.38	9653119130	A2536NP-10D2P1				
							3	208-230/460					9653119135	A2536NP-10D2P3				
							3	575					9653119235	A2536NP-10D2P5				
							3	208-230/460					6.44	9653119140	A2536NP-15D2P3			
							3	575						9653119240	A2536NP-15D2P5			
							1	208-230						3.69	9653118100	A2536NP-3T2P1		
							3	208-230/460							9653118105	A2536NP-3T2P3		
							3	575							9653118205	A2536NP-3T2P5		
							1	208-230							4.25	9653118110	A2536NP-5T2P1	
							3	208-230/460								9653118115	A2536NP-5T2P3	
							3	575								9653118215	A2536NP-5T2P5	
							1	208-230								4.81	9653118120	A2536NP-7.5T2P1
							3	208-230/460									9653118125	A2536NP-7.5T2P3
							3	575									9653118225	A2536NP-7.5T2P5
							1	208-230									5.38	9653118130
			3	208-230/460	9653118135	A2536NP-10T2P3												
			3	575	9653118235	A2536NP-10T2P5												
			3	208-230/460	6.44	9653118140	A2536NP-15T2P3											
			3	575		9653118240	A2536NP-15T2P5											
			1	208-230		3.69	9653129100	A2536FP-3D2P1										
			3	208-230/460			9653129105	A2536FP-3D2P3										
			3	575			9653129205	A2536FP-3D2P5										
			1	208-230			4.25	9653129110	A2536FP-5D2P1									
			3	208-230/460				9653129115	A2536FP-5D2P3									
			3	575				9653129215	A2536FP-5D2P5									
			1	208-230				4.81	9653129120	A2536FP-7.5D2P1								
			3	208-230/460					9653129125	A2536FP-7.5D2P3								
			3	575					9653129225	A2536FP-7.5D2P5								
			1	208-230					5.38	9653129130	A2536FP-10D2P1							
			3	208-230/460						9653129135	A2536FP-10D2P3							
			3	575						9653129235	A2536FP-10D2P5							
			3	208-230/460						6.44	9653129140	A2536FP-15D2P3						
			3	575							9653129240	A2536FP-15D2P5						
			1	208-230							3.69	9653128100	A2536FP-3T2P1					
			3	208-230/460								9653128105	A2536FP-3T2P3					
			3	575								9653128205	A2536FP-3T2P5					
			1	208-230								4.25	9653128110	A2536FP-5T2P1				
			3	208-230/460									9653128115	A2536FP-5T2P3				
			3	575									9653128215	A2536FP-5T2P5				
1	208-230	4.81	9653128120	A2536FP-7.5T2P1														
3	208-230/460		9653128125	A2536FP-7.5T2P3														
3	575		9653128225	A2536FP-7.5T2P5														
1	208-230		5.38	9653128130	A2536FP-10T2P1													
3	208-230/460			9653128135	A2536FP-10T2P3													
3	575			9653128235	A2536FP-10T2P5													
3	208-230/460			6.44	9653128140	A2536FP-15T2P3												
3	575				9653128240	A2536FP-15T2P5												

NOTE: Refer to motor section for specifications.

CENTRIFUGAL PUMPS

CLOSE-COUPLED AG SERIES

☰ MENU



ORDER INFORMATION

A2.5 X 4 - 10

Series	Sealing	Construction		Type		Electrical				Trim (in)	Order No.	Description			
		Impeller	Connection	Efficiency	Enclosure	Speed	HP	Phase	Volts						
A2.5x4-10	Mechanical	Cast Iron	Threaded NPT 2.5" Discharge 4" Suction	STD	ODP	60 Hz 3600 RPM	20	3	208-230/460	7.38	9654219105	A25410NM-20D2P3			
				PREM					575		9654219205	A25410NM-20D2P5			
				STD					8.00	9654219110	A25410NM-25D2P3				
				PREM						575	9654219210	A25410NM-25D2P5			
				STD					8.38	9654219115	A25410NM-30D2P3				
				PREM						575	9654219215	A25410NM-30D2P5			
				STD	9.00		9654219120	A25410NM-40D2P3							
				PREM			575	9654219220	A25410NM-40D2P5						
				Flanged 2.5" Discharge 4" Suction	TEFC		STD	TEFC	60 Hz 3600 RPM	20	3	208-230/460	7.38	9654218105	A25410NM-20T2P3
							PREM					575		9654218205	A25410NM-20T2P5
							STD					8.00	9654218110	A25410NM-25T2P3	
							PREM						575	9654218210	A25410NM-25T2P5
			STD			8.38	9654218115					A25410NM-30T2P3			
			PREM				575					9654218215	A25410NM-30T2P5		
			STD		9.00	9654218120	A25410NM-40T2P3								
			PREM			575	9654218220	A25410NM-40T2P5							
			Flanged 2.5" Discharge 4" Suction		ODP	STD	ODP	60 Hz 3600 RPM		20	3	208-230/460	7.38	9654229105	A25410FM-20D2P3
						PREM						575		9654229205	A25410FM-20D2P5
						STD						8.00	9654229110	A25410FM-25D2P3	
						PREM							575	9654229210	A25410FM-25D2P5
				STD		8.38			9654229115			A25410FM-30D2P3			
				PREM					575			9654229215	A25410FM-30D2P5		
				STD	9.00	9654229120	A25410FM-40D2P3								
				PREM		575	9654229220		A25410FM-40D2P5						
				Flanged 2.5" Discharge 4" Suction	TEFC	STD	TEFC		60 Hz 3600 RPM	20	3	208-230/460	7.38	9654228105	A25410FM-20T2P3
						PREM						575		9654228205	A25410FM-20T2P5
						STD						8.00	9654228110	A25410FM-25T2P3	
						PREM							575	9654228210	A25410FM-25T2P5
			STD			8.38		9654228115				A25410FM-30T2P3			
			PREM					575				9654228215	A25410FM-30T2P5		
			STD	9.00	9654228120	A25410FM-40T2P3									
			PREM		575	9654228220	A25410FM-40T2P5								

NOTE: Refer to motor section for specifications.

Continued >

CENTRIFUGAL PUMPS

CLOSE-COUPLED AG SERIES

☰ MENU



ORDER INFORMATION

A2.5 X 4 - 10

Series	Sealing	Construction		Type		Electrical				Trim (in)	Order No.	Description	
		Impeller	Connection	Efficiency	Enclosure	Speed	HP	Phase	Volts				
A2.5x4-10	Packing	Cast Iron	Threaded NPT 2.5" Discharge 4" Suction	STD	ODP	60 Hz 3600 RPM	3	208-230/460 575	7.38	9654119105	A25410NP-20D2P3		
				PREM							9654119205	A25410NP-20D2P5	
				STD							9654119110	A25410NP-25D2P3	
				PREM							9654119210	A25410NP-25D2P5	
				STD							9654119115	A25410NP-30D2P3	
				PREM							9654119215	A25410NP-30D2P5	
				STD							9654119120	A25410NP-40D2P3	
				PREM							9654119220	A25410NP-40D2P5	
				STD							TEFC	9654118105	A25410NP-20T2P3
				PREM								9654118205	A25410NP-20T2P5
				STD								9654118110	A25410NP-25T2P3
				PREM								9654118210	A25410NP-25T2P5
			STD	9654118115	A25410NP-30T2P3								
			PREM	9654118215	A25410NP-30T2P5								
			STD	9654118120	A25410NP-40T2P3								
			PREM	9654118220	A25410NP-40T2P5								
			STD	ODP	9654129105							A25410FP-20D2P3	
			PREM		9654129205							A25410FP-20D2P5	
			STD		9654129110							A25410FP-25D2P3	
			PREM		9654129210							A25410FP-25D2P5	
			STD		9654129115						A25410FP-30D2P3		
			PREM		9654129215						A25410FP-30D2P5		
			STD		9654129120						A25410FP-40D2P3		
			PREM		9654129220						A25410FP-40D2P5		
			STD		TEFC						9654128105	A25410FP-20T2P3	
			PREM								9654128205	A25410FP-20T2P5	
			STD								9654128110	A25410FP-25T2P3	
			PREM								9654128210	A25410FP-25T2P5	
			STD	9654128115							A25410FP-30T2P3		
			PREM	9654128215							A25410FP-30T2P5		
			STD	9654128120							A25410FP-40T2P3		
			PREM	9654128220							A25410FP-40T2P5		

NOTE: Refer to motor section for specifications.

CENTRIFUGAL PUMPS

CLOSE-COUPLED AG SERIES

☰ MENU



ORDER INFORMATION

A3 X 4 - 6

Series	Sealing	Construction		Type		Electrical			Trim (in)	Order No.	Description	
		Impeller	Connection	Efficiency	Enclosure	Speed	HP	Phase				Volts
A3 x 4 - 6	Mechanical	Cast Iron	Threaded 3" Discharge 4" Suction	STD	ODP	60 Hz 3600 RPM	7.5	1	208-230	5.06	9648219100	A346NM-7.5D2P1
								3	208-230/460		9648219105	A346NM-7.5D2P3
								3	575		9648219205	A346NM-7.5D2P5
								1	208-230		9648219110	A346NM-10D2P1
								3	208-230/460		9648219115	A346NM-10D2P3
								3	575		9648219215	A346NM-10D2P5
							3	208-230/460	9648219120	A346NM-15D2P3		
							3	575	9648219220	A346NM-15D2P5		
							3	208-230/460	9648219125	A346NM-20D2P3		
							3	575	9648219225	A346NM-20D2P5		
							7.5	TEFC	1	208-230	9648218100	A346NM-7.5T2P1
									3	208-230/460	9648218105	A346NM-7.5T2P3
				3	575				9648218205	A346NM-7.5T2P5		
				1	208-230				9648218110	A346NM-10T2P1		
				3	208-230/460				9648218115	A346NM-10T2P3		
				3	575				9648218215	A346NM-10T2P5		
				3	208-230/460				9648218120	A346NM-15T2P3		
				3	575				9648218220	A346NM-15T2P5		
				3	208-230/460				9648218125	A346NM-20T2P3		
				3	575				9648218225	A346NM-20T2P5		
				10	ODP				1	208-230	9648229100	A346FM-7.5D2P1
									3	208-230/460	9648229105	A346FM-7.5D2P3
							3	575	9648229205	A346FM-7.5D2P5		
							1	208-230	9648229110	A346FM-10D2P1		
			3			208-230/460	9648229115	A346FM-10D2P3				
			3			575	9648229215	A346FM-10D2P5				
			3			208-230/460	9648229120	A346FM-15D2P3				
			3			575	9648229220	A346FM-15D2P5				
			3			208-230/460	9648229125	A346FM-20D2P3				
			3			575	9648229225	A346FM-20D2P5				
			7.5			TEFC	1	208-230	9648228100	A346FM-7.5T2P1		
							3	208-230/460	9648228105	A346FM-7.5T2P3		
				3	575		9648228205	A346FM-7.5T2P5				
				1	208-230		9648228110	A346FM-10T2P1				
				3	208-230/460		9648228115	A346FM-10T2P3				
				3	575		9648228215	A346FM-10T2P5				
				3	208-230/460		9648228120	A346FM-15T2P3				
				3	575		9648228220	A346FM-15T2P5				
				3	208-230/460		9648228125	A346FM-20T2P3				
				3	575		9648228225	A346FM-20T2P5				

NOTE: Refer to motor section for specifications.

CENTRIFUGAL PUMPS

CLOSE-COUPLED AG SERIES

☰ MENU



ORDER INFORMATION

A3 X 4 - 6

Series	Sealing	Construction		Type		Electrical			Trim (in)	Order No.	Description		
		Impeller	Connection	Efficiency	Enclosure	Speed	HP	Phase				Volts	
A3 x 4 - 6	Packing	Cast Iron	Threaded NPT 3" Discharge 4" Suction	STD	ODP	60 Hz 3600 RPM	7.5	1	208-230	5.06	9648119100	A346NP-7.5D2P1	
								3	208-230/460		9648119105	A346NP-7.5D2P3	
								3	575		9648119205	A346NP-7.5D2P5	
								1	208-230		9648119110	A346NP-10D2P1	
								3	208-230/460		9648119115	A346NP-10D2P3	
								3	575		9648119215	A346NP-10D2P5	
							3	208-230/460	9648119120	A346NP-15D2P3			
							3	575	9648119220	A346NP-15D2P5			
							3	208-230/460	9648119125	A346NP-20D2P3			
							3	575	9648119225	A346NP-20D2P5			
							STD	TEFC	7.5	1	208-230	9648118100	A346NP-7.5T2P1
										3	208-230/460	9648118105	A346NP-7.5T2P3
				3	575					9648118205	A346NP-7.5T2P5		
				1	208-230					9648118110	A346NP-10T2P1		
				3	208-230/460					9648118115	A346NP-10T2P3		
				3	575					9648118215	A346NP-10T2P5		
				3	208-230/460				9648118120	A346NP-15T2P3			
				3	575				9648118220	A346NP-15T2P5			
				3	208-230/460				9648118125	A346NP-20T2P3			
				3	575				9648118225	A346NP-20T2P5			
				STD	ODP				7.5	1	208-230	9648129100	A346FP-7.5D2P1
										3	208-230/460	9648129105	A346FP-7.5D2P3
							3	575		9648129205	A346FP-7.5D2P5		
							1	208-230		9648129110	A346FP-10D2P1		
			3			208-230/460	9648129115	A346FP-10D2P3					
			3			575	9648129215	A346FP-10D2P5					
			3			208-230/460	9648129120	A346FP-15D2P3					
			3			575	9648129220	A346FP-15D2P5					
			3			208-230/460	9648129125	A346FP-20D2P3					
			3			575	9648129225	A346FP-20D2P5					
			STD			TEFC	7.5	1	208-230	9648128100	A346FP-7.5T2P1		
								3	208-230/460	9648128105	A346FP-7.5T2P3		
				3	575			9648128205	A346FP-7.5T2P5				
				1	208-230			9648128110	A346FP-10T2P1				
				3	208-230/460			9648128115	A346FP-10T2P3				
				3	575			9648128215	A346FP-10T2P5				
				3	208-230/460		9648128120	A346FP-15T2P3					
				3	575		9648128220	A346FP-15T2P5					
				3	208-230/460		9648128125	A346FP-20T2P3					
				3	575		9648128225	A346FP-20T2P5					

NOTE: Refer to motor section for specifications.

CENTRIFUGAL PUMPS

CLOSE-COUPLED AG SERIES

☰ MENU



ORDER INFORMATION

A3 X 4 - 9

Series	Sealing	Construction		Type		Electrical				Trim (in)	Order No.	Description
		Impeller	Connection	Efficiency	Enclosure	Speed	HP	Phase	Volts			
A3 x 4 - 9	Mechanical	Cast Iron	Threaded 3" Discharge 4" Suction	STD	ODP	60 Hz 3600 RPM	30	3	208-230/460	6.88	9649219100	A349NM-30D2P3
									575		9649219200	A349NM-30D2P5
									208-230/460		9649219105	A349NM-40D2P3
									575		9649219205	A349NM-40D2P5
									208-230/460		9649219110	A349NM-50D2P3
									575		9649219210	A349NM-50D2P5
				208-230/460	9649219115		A349NM-60D2P3					
				575	9649219215		A349NM-60D2P5					
				208-230/460	9649219120		A349NM-75D2P3					
				575	9649219220		A349NM-75D2P5					
				208-230/460	9649218100		A349NM-30T2P3					
				575	9649218200		A349NM-30T2P5					
				208-230/460	9649218105		A349NM-40T2P3					
				575	9649218205		A349NM-40T2P5					
				208-230/460	9649218110		A349NM-50T2P3					
				575	9649218210		A349NM-50T2P5					
				208-230/460	9649218115		A349NM-60T2P3					
				575	9649218215		A349NM-60T2P5					
			208-230/460	9649218120	A349NM-75T2P3							
			575	9649218220	A349NM-75T2P5							
			208-230/460	9649229100	A349FM-30D2P3							
			575	9649229200	A349FM-30D2P5							
			208-230/460	9649229105	A349FM-40D2P3							
			575	9649229205	A349FM-40D2P5							
			208-230/460	9649229110	A349FM-50D2P3							
			575	9649229210	A349FM-50D2P5							
			208-230/460	9649229115	A349FM-60D2P3							
			575	9649229215	A349FM-60D2P5							
			208-230/460	9649229120	A349FM-75D2P3							
			575	9649229220	A349FM-75D2P5							
			208-230/460	9649228100	A349FM-30T2P3							
			575	9649228200	A349FM-30T2P5							
			208-230/460	9649228105	A349FM-40T2P3							
			575	9649228205	A349FM-40T2P5							
			208-230/460	9649228110	A349FM-50T2P3							
			575	9649228210	A349FM-50T2P5							
208-230/460	9649228115	A349FM-60T2P3										
575	9649228215	A349FM-60T2P5										
208-230/460	9649228120	A349FM-75T2P3										
575	9649228220	A349FM-75T2P5										
			Flanged 3" Discharge 4" Suction	STD	TEFC	60 Hz 3600 RPM	30	3	208-230/460	6.88	9649229100	A349FM-30D2P3
									575		9649229200	A349FM-30D2P5
									208-230/460		9649229105	A349FM-40D2P3
									575		9649229205	A349FM-40D2P5
									208-230/460		9649229110	A349FM-50D2P3
									575		9649229210	A349FM-50D2P5
			208-230/460	9649229115	A349FM-60D2P3							
			575	9649229215	A349FM-60D2P5							
			208-230/460	9649229120	A349FM-75D2P3							
			575	9649229220	A349FM-75D2P5							
			208-230/460	9649228100	A349FM-30T2P3							
			575	9649228200	A349FM-30T2P5							
			208-230/460	9649228105	A349FM-40T2P3							
			575	9649228205	A349FM-40T2P5							
			208-230/460	9649228110	A349FM-50T2P3							
			575	9649228210	A349FM-50T2P5							
			208-230/460	9649228115	A349FM-60T2P3							
			575	9649228215	A349FM-60T2P5							
			208-230/460	9649228120	A349FM-75T2P3							
			575	9649228220	A349FM-75T2P5							

NOTE: Refer to motor section for specifications.

CENTRIFUGAL PUMPS

CLOSE-COUPLED AG SERIES

☰ MENU



ORDER INFORMATION

A3 X 4 - 9

Series	Sealing	Construction		Type		Electrical				Trim (in)	Order No.	Description		
		Impeller	Connection	Efficiency	Enclosure	Speed	HP	Phase	Volts					
A3 x 4 - 9	Packing	Cast Iron	Threaded 3" Discharge 4" Suction	STD	ODP	60 Hz 3600 RPM	3	3	208-230/460	6.88	9649119100	A349NP-30D2P3		
				PREM					575		9649119200	A349NP-30D2P5		
				STD					208-230/460		9649119105	A349NP-40D2P3		
				PREM					575		9649119205	A349NP-40D2P5		
				STD					208-230/460		9649119110	A349NP-50D2P3		
				PREM					575		9649119210	A349NP-50D2P5		
				STD					208-230/460		9649119115	A349NP-60D2P3		
				PREM					575		9649119215	A349NP-60D2P5		
				STD					208-230/460		9649119120	A349NP-75D2P3		
				PREM					575		9649119220	A349NP-75D2P5		
				STD					TEFC		208-230/460	6.88	9649118100	A349NP-30T2P3
				PREM							575		9649118200	A349NP-30T2P5
				STD							208-230/460		9649118105	A349NP-40T2P3
				PREM							575		9649118205	A349NP-40T2P5
			STD	208-230/460	9649118110	A349NP-50T2P3								
			PREM	575	9649118210	A349NP-50T2P5								
			STD	208-230/460	9649118115	A349NP-60T2P3								
			PREM	575	9649118215	A349NP-60T2P5								
			STD	208-230/460	9649118120	A349NP-75T2P3								
			PREM	575	9649118220	A349NP-75T2P5								
			STD	TEFC	208-230/460	6.88	9649129100	A349FP-30D2P3						
			PREM		575		9649129200	A349FP-30D2P5						
			STD		208-230/460		9649129105	A349FP-40D2P3						
			PREM		575		9649129205	A349FP-40D2P5						
			STD		208-230/460		9649129110	A349FP-50D2P3						
			PREM		575		9649129210	A349FP-50D2P5						
			STD		208-230/460		9649129115	A349FP-60D2P3						
			PREM		575		9649129215	A349FP-60D2P5						
			STD		208-230/460		9649129120	A349FP-75D2P3						
			PREM		575		9649129220	A349FP-75D2P5						
			STD		TEFC		208-230/460	6.88	9649128100	A349FP-30T2P3				
			PREM				575		9649128200	A349FP-30T2P5				
			STD				208-230/460		9649128105	A349FP-40T2P3				
			PREM				575		9649128205	A349FP-40T2P5				
			STD	208-230/460		9649128110	A349FP-50T2P3							
			PREM	575		9649128210	A349FP-50T2P5							
			STD	208-230/460		9649128115	A349FP-60T2P3							
			PREM	575		9649128215	A349FP-60T2P5							
			STD	208-230/460		9649128120	A349FP-75T2P3							
			PREM	575		9649128220	A349FP-75T2P5							

NOTE: Refer to motor section for specifications.

CENTRIFUGAL PUMPS

CLOSE-COUPLED AG SERIES

☰ MENU



ORDER INFORMATION

A6 X 8 - 13

Series	Sealing	Construction		Type		Electrical				Trim (in)	Order No.	Description								
		Impeller	Connection	Efficiency	Enclosure	Speed	HP	Phase	Volts											
A6X8-13	Mechanical	Cast Iron	Flanged 6" Discharge 8" Suction	STD	ODP	60 Hz 1800 RPM	3	3	208-230/460	9.88	9652229100	A6813FM-30D4P3								
									575		9652229200	A6813FM-30D4P5								
									208-230/460	10.75	9652229105	A6813FM-40D4P3								
									575		9652229205	A6813FM-40D4P5								
									208-230/460	11.50	9652229110	A6813FM-50D4P3								
									575		9652229210	A6813FM-50D4P5								
				208-230/460	12.12				9652229115	A6813FM-60D4P3										
				575					9652229215	A6813FM-60D4P5										
				208-230/460	13.00				9652229120	A6813FM-75D4P3										
				575					9652229220	A6813FM-75D4P5										
				Packing							STD	TEFC	60 Hz 1800 RPM	3	3	208-230/460	9.88	9652228100	A6813FM-30T4P3	
																575		9652228200	A6813FM-30T4P5	
																208-230/460	10.75	9652228105	A6813FM-40T4P3	
																575		9652228205	A6813FM-40T4P5	
																208-230/460	11.50	9652228110	A6813FM-50T4P3	
																575		9652228210	A6813FM-50T4P5	
											208-230/460	12.12				9652228115	A6813FM-60T4P3			
											575					9652228215	A6813FM-60T4P5			
											208-230/460	13.00				9652228120	A6813FM-75T4P3			
											575					9652228220	A6813FM-75T4P5			
											STD	ODP				60 Hz 1800 RPM		STD	ODP	60 Hz 1800 RPM
	575	9652129200	A6813FP-30D4P5																	
	208-230/460	10.75	9652129105			A6813FP-30D4P3														
	575		9652129205			A6813FP-30D4P5														
	208-230/460	11.50	9652129110			A6813FP-50D4P3														
	575		9652129210			A6813FP-50D4P5														
	208-230/460	12.12	9652129115			A6813FP-60D4P3														
	575		9652129215			A6813FP-60D4P5														
	208-230/460	13.00	9652129120			A6813FP-75D4P3														
	575		9652129220			A6813FP-75D4P5														
	STD	TEFC	60 Hz 1800 RPM				STD	TEFC			60 Hz 1800 RPM	3						3	208-230/460	
				575	9652128200				A6813FP-30T4P5											
				208-230/460	10.75				9652128105	A6813FP-40T4P3										
				575					9652128205	A6813FP-40T4P5										
				208-230/460	11.50				9652128110	A6813FP-50T4P3										
				575					9652128210	A6813FP-50T4P5										
	208-230/460	12.12		9652128115	A6813FP-60T4P3															
	575			9652128215	A6813FP-60T4P5															
	208-230/460	13.00		9652128120	A6813FP-75T4P3															
	575			9652128220	A6813FP-75T4P5															

NOTE: Refer to motor section for specifications.

CENTRIFUGAL PUMPS

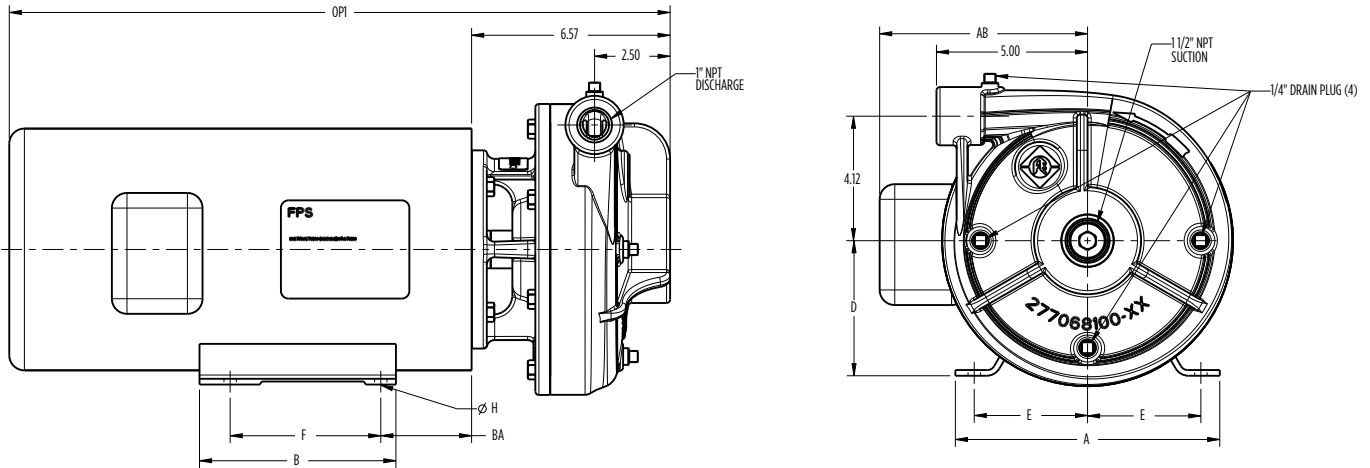
CLOSE-COUPLED AG SERIES

☰ MENU



DIMENSIONS

A1 X 1.5 - 7 JM THREADED - FIG. 1



Enclosure	AK Fit	HP	Phase	Dimensions (in)								Fig. 1 Threaded	
				A	B	D	E	F	ØH	AB	BA	OPI	
ODP	4.5	3	1	8.66	6.30	4.50	3.75	5.50	0.41	6.26	2.75	21.29	
			3	6.54	6.50	3.50	2.75	4.00	0.34	5.43	2.25	19.10	
		5	1	8.66	6.97	4.50	3.75	5.50	0.41	7.84	2.70	21.29	
			3	8.66	6.30	4.50	3.75	5.50	0.41	6.57	2.75	18.79	
TEFC		7.5	3	1	8.66	6.30	4.50	3.75	5.50	0.41	6.57	2.75	19.57
				3	6.54	6.50	3.50	2.75	5.00	0.34	5.87	2.75	19.99
		5	3	1	6.46	6.14	3.50	2.75	5.00	0.34	6.18	2.56	17.62
				3	8.66	6.97	4.50	3.75	5.50	0.41	7.84	2.76	16.68
	7.5	3	1	8.66	6.97	4.50	3.75	5.50	0.41	7.56	2.77	19.33	
			3	8.66	6.97	4.50	3.75	5.50	0.41	7.56	2.76	19.33	

CENTRIFUGAL PUMPS

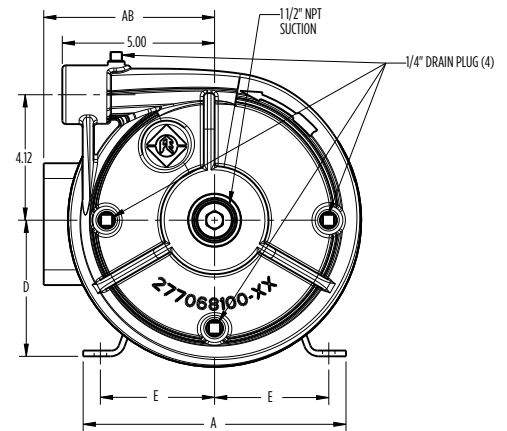
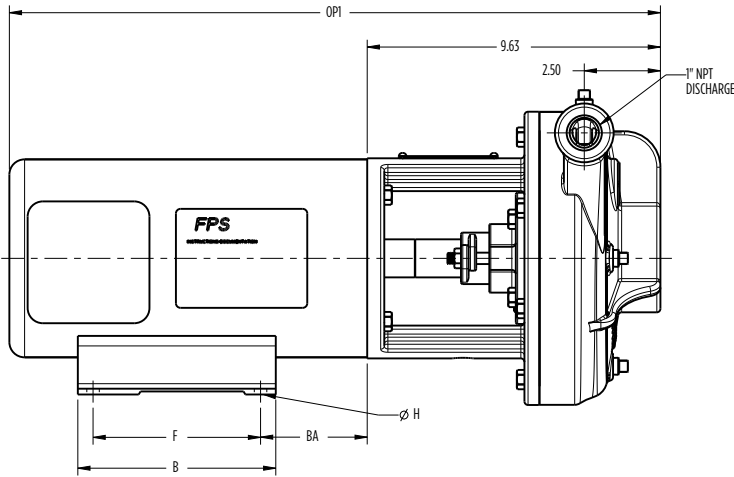
CLOSE-COUPLED AG SERIES

☰ MENU



DIMENSIONS

A1 X 1.5 - 7 JP THREADED - FIG. 1



Enclosure	AK Fit	HP	Phase	Dimensions (in)								Fig. 1 Threaded OP1
				A	B	D	E	F	ØH	AB	BA	
ODP	4.5	3	1	8.66	6.30	4.50	3.75	5.50	0.41	6.26	2.75	29.26
			3	6.54	6.50	3.50	2.75	4.00	0.34	5.43	2.25	25.23
		5	1	8.66	6.30	4.50	3.75	5.50	0.41	6.26	2.75	24.26
			3	8.66	6.30	4.50	3.75	5.50	0.41	6.57	2.75	27.56
		7.5	3	8.66	6.30	4.50	3.75	5.50	0.41	6.57	2.75	28.34
			3	6.54	6.50	3.50	2.75	5.00	0.34	5.87	2.75	23.06
TEFC	4.5	3	1	8.66	6.30	4.50	3.75	5.50	0.41	6.26	2.75	24.26
			3	6.46	6.14	3.50	2.75	5.00	0.34	6.18	2.56	20.68
		5	1	8.66	6.97	4.50	3.75	5.50	0.41	7.84	2.76	22.74
			3	8.66	6.30	4.50	3.75	5.50	0.41	6.57	2.75	27.56
		7.5	3	8.66	6.30	4.50	3.75	5.50	0.41	6.57	2.75	28.34
			3	8.66	6.30	4.50	3.75	5.50	0.41	6.57	2.75	28.34

CENTRIFUGAL PUMPS

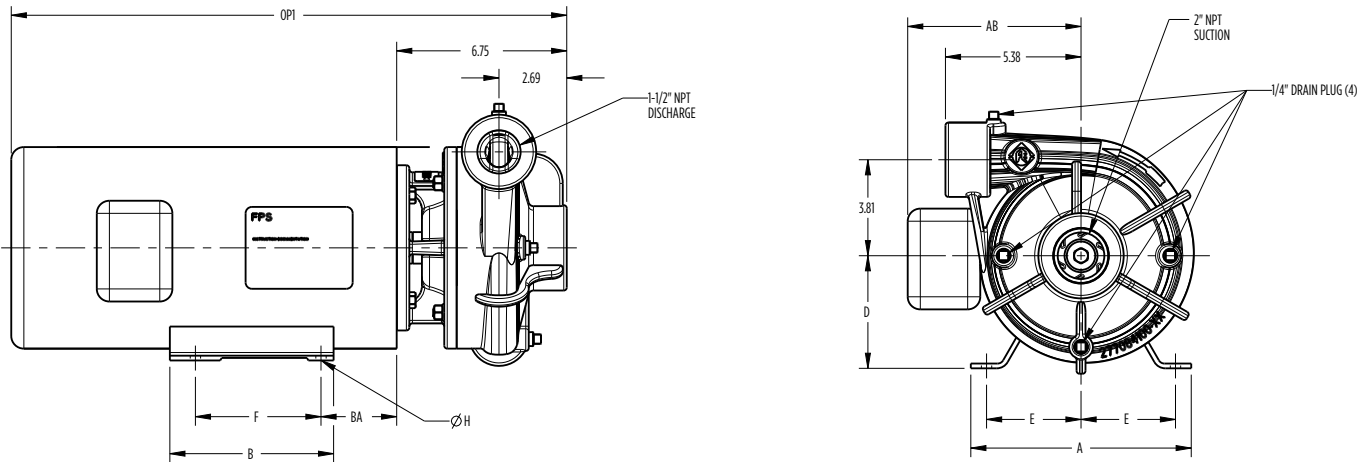
CLOSE-COUPLED AG SERIES



MENU

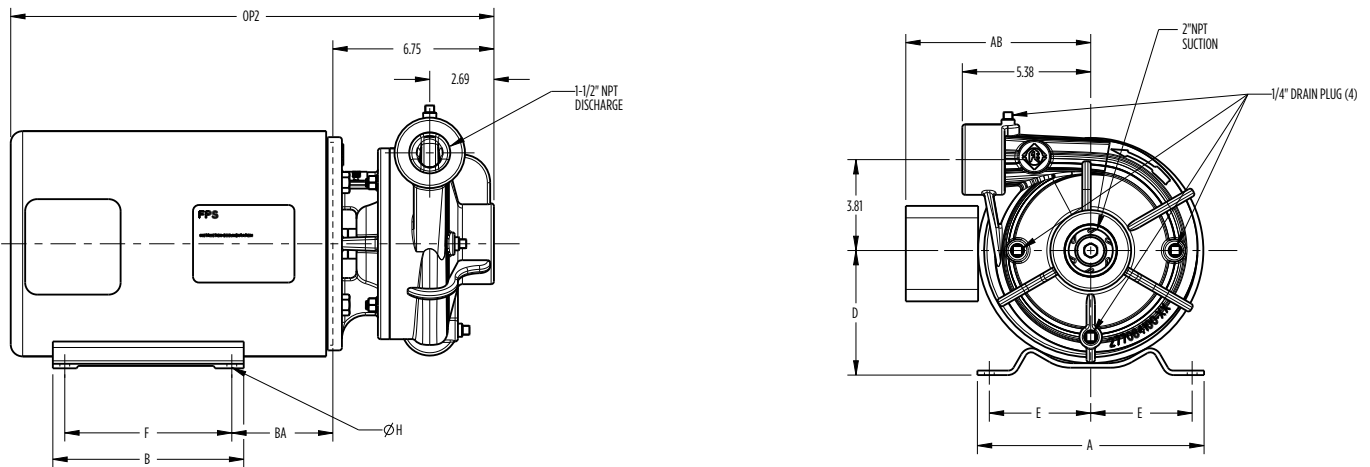
DIMENSIONS

A1.5 X 2 - 6 JM THREADED - FIG. 1



DIMENSIONS

A1.5 X 2 - 6 JM THREADED - FIG. 2



Enclosure	AK Fit	HP	Phase	Dimensions (in)										
				A	B	D	E	F	ØH	AB	BA	Fig. 1 Threaded	Fig. 2 Threaded	
				OP1	OP2									
ODP	4.5	5	1	8.66	6.30	4.50	3.75	5.50	0.41	6.26	2.75	21.47	-	
			3	8.66	6.30	4.50	3.75	5.50	0.41	6.57	2.75	17.02	-	
TEFC		5	1	8.66	6.97	4.50	3.75	5.50	0.41	7.84	2.76	19.86	-	
			3	8.66	6.97	4.50	3.75	5.50	0.41	7.56	2.76	19.51	-	
ODP		8.5	7.5	1	9.45	7.95	5.25	4.25	7.00	0.41	7.46	3.50	-	22.99
				3	9.45	7.95	5.25	4.25	7.00	0.41	8.15	3.50	-	21.16
TEFC	7.5		1	9.45	7.95	5.25	4.25	7.00	0.41	7.46	3.50	-	19.82	
			3	9.76	8.86	5.25	4.25	7.00	0.41	8.07	3.50	-	22.99	
TEFC	10		1	9.76	8.86	5.25	4.25	7.00	0.41	8.07	3.50	-	22.89	
			3	9.76	8.86	5.25	4.25	7.00	0.41	8.58	3.50	-	22.67	

CENTRIFUGAL PUMPS

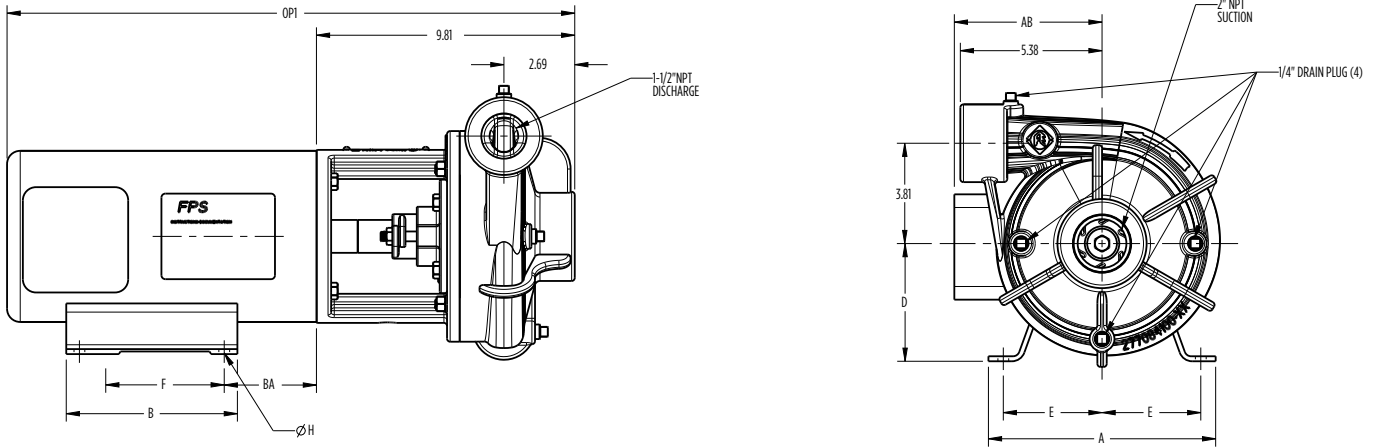
CLOSE-COUPLED AG SERIES



MENU

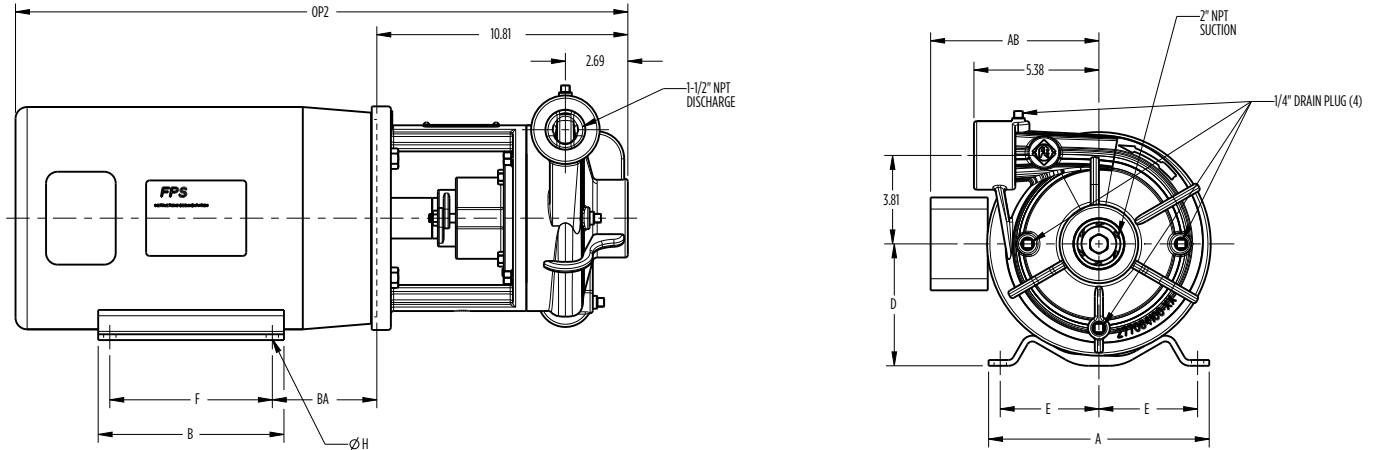
DIMENSIONS

A1.5 X 2 - 6 JP THREADED - FIG. 1



DIMENSIONS

A1.5 X 2 - 6 JP THREADED - FIG. 2



Enclosure	AK Fit	HP	Phase	Dimensions (in)									
				A	B	D	E	F	ØH	AB	BA	Fig. 1 Threaded	Fig. 2 Threaded
												OP1	OP2
ODP	4.5	5	1	8.66	6.30	4.50	3.75	5.50	0.41	6.26	2.75	24.43	-
			3	8.66	6.30	4.50	3.75	5.50	0.41	6.57	2.75	22.73	-
		7.5	3	8.66	6.30	4.50	3.75	5.50	0.41	6.57	2.75	23.51	-
TEFC		5	1	8.66	6.97	4.50	3.75	5.50	0.41	7.84	2.76	22.92	-
			3	8.66	6.97	4.50	3.75	5.50	0.41	7.56	2.76	22.89	-
		7.5	3	8.66	6.97	4.50	3.75	5.50	0.41	7.56	2.76	22.89	-
ODP	8.5	7.5	1	9.45	7.95	5.25	4.25	7.00	0.41	7.46	3.50	-	27.05
			1	9.45	7.95	5.25	4.25	7.00	0.41	7.80	4.50	-	25.22
		3	9.45	7.95	5.25	4.25	7.00	0.41	8.15	3.50	-	23.90	
TEFC		7.5	1	9.76	7.36	5.25	4.25	5.50	0.41	8.07	3.50	-	25.46
			1	9.76	8.86	5.25	4.25	7.00	0.41	8.07	3.50	-	26.95
		10	3	9.76	8.86	5.25	4.25	7.00	0.41	8.58	3.50	-	26.73

CENTRIFUGAL PUMPS

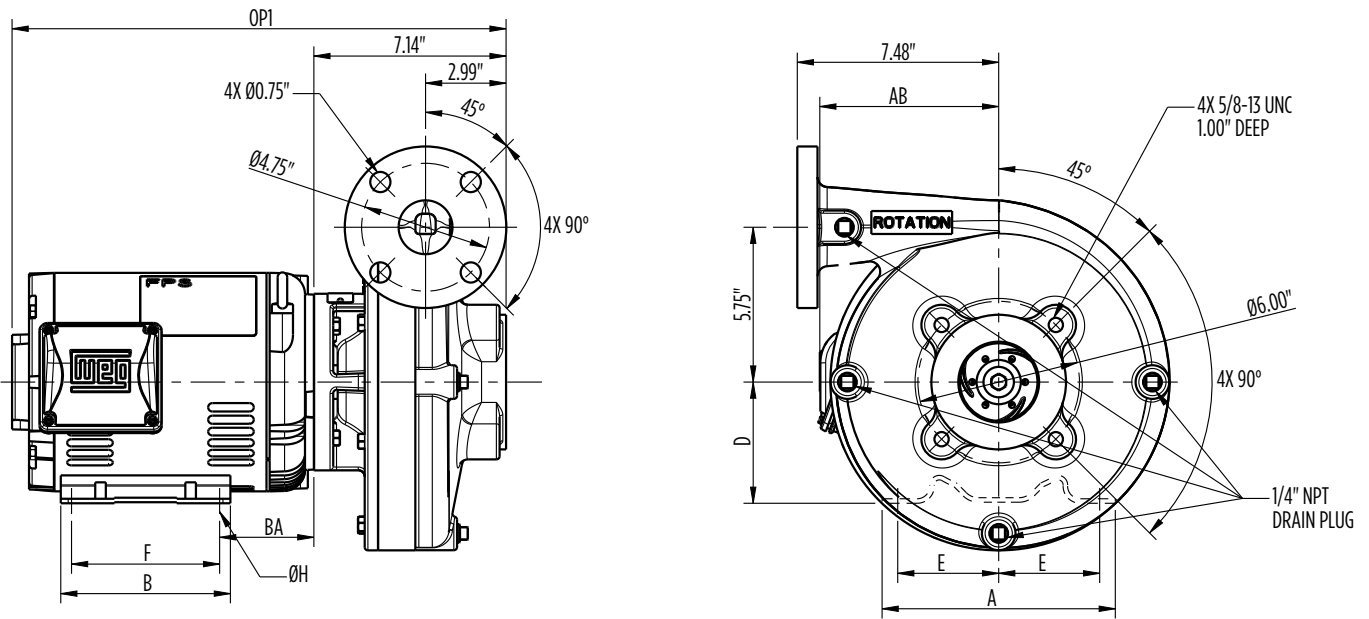
CLOSE-COUPLED AG SERIES

MENU



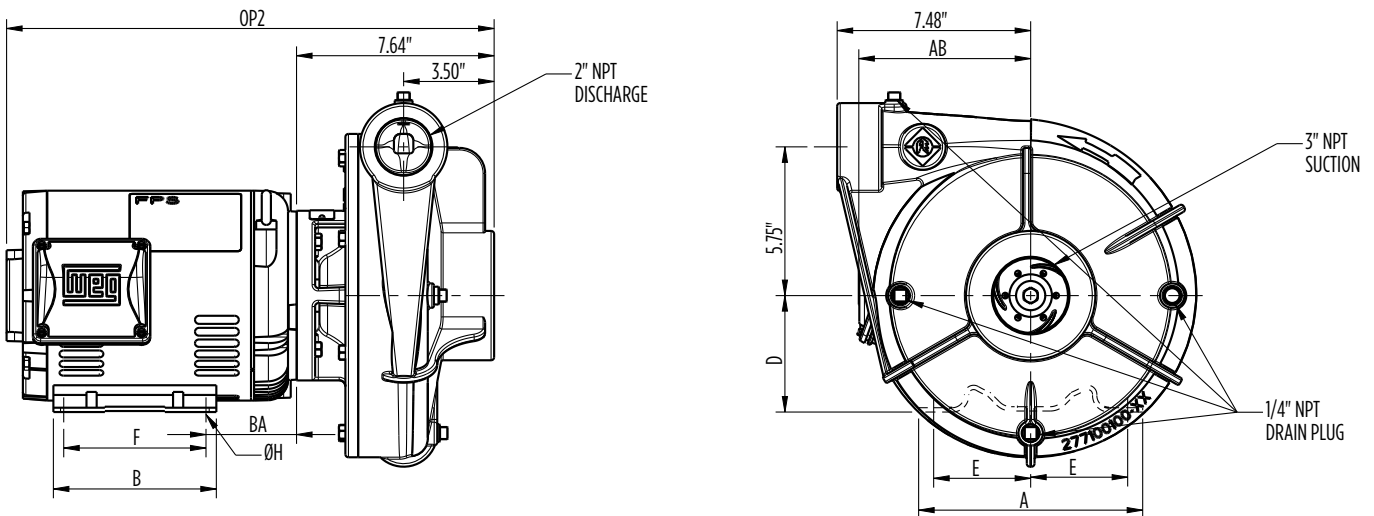
DIMENSIONS

A2 X 3 - 10 JM FLANGED - FIG. 1



DIMENSIONS

A2 X 3 - 10 JM THREADED - FIG. 2



Enclosure	AK Fit	HP	Phase	Dimensions (in)									
				A	B	D	E	F	ØH	AB	BA	Fig. 1 Flanged	Fig. 2 Threaded
													OP1
ODP	4.5	7.5	3	8.66	6.30	4.50	3.75	5.50	0.41	6.57	2.75	18.20	18.70

CENTRIFUGAL PUMPS

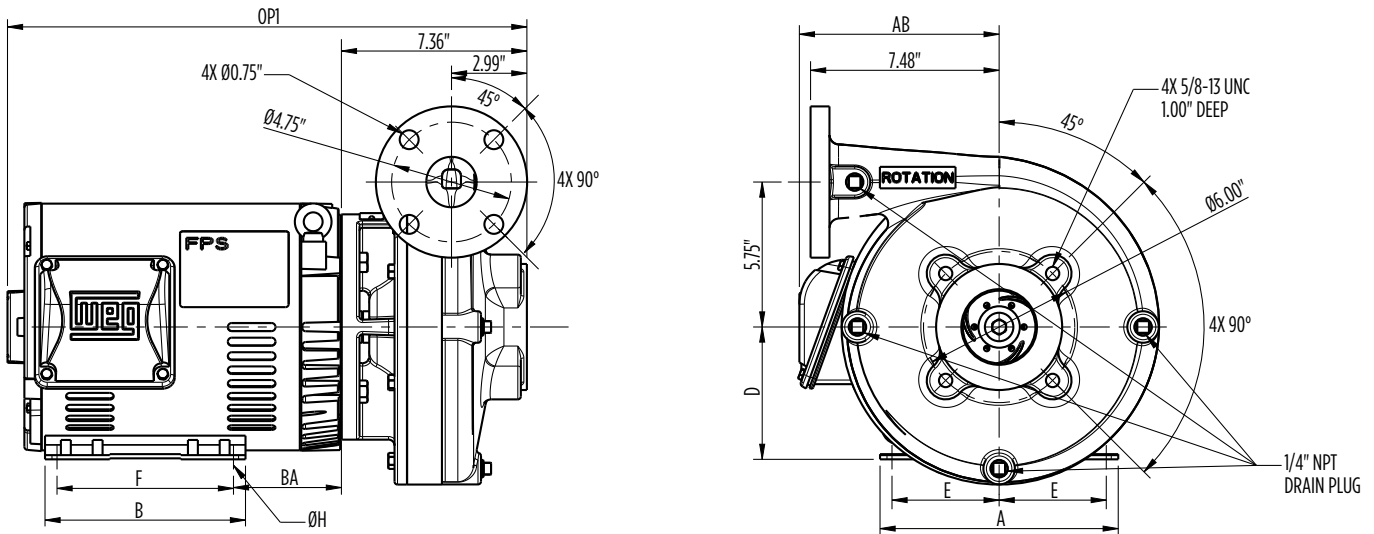
CLOSE-COUPLED AG SERIES



MENU

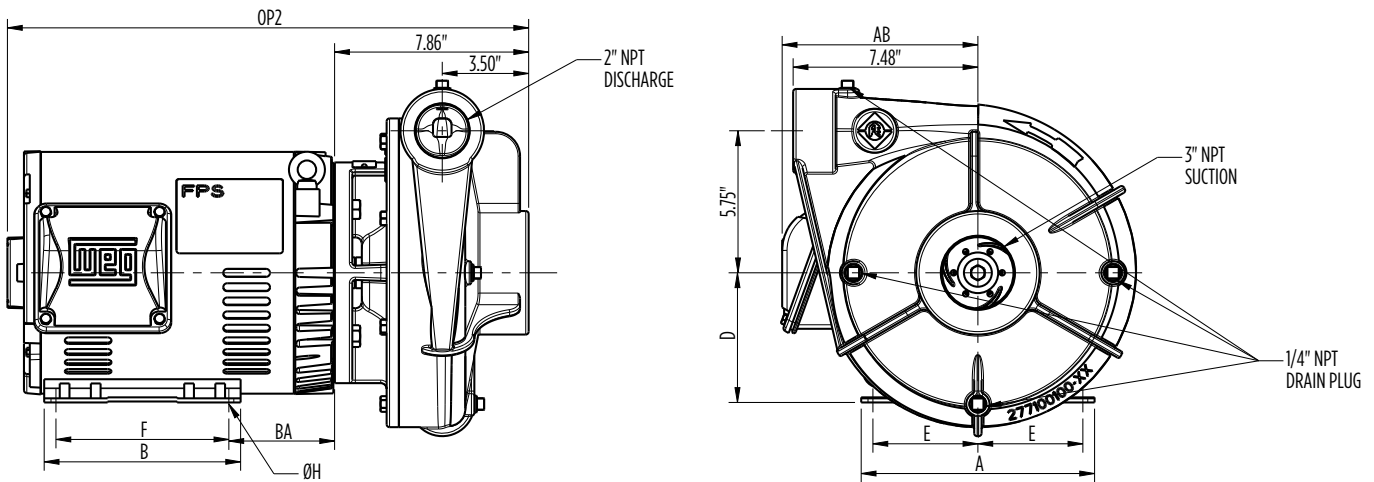
DIMENSIONS

A2 X 3 - 10 JM FLANGED - FIG. 1



DIMENSIONS

A2 X 3 - 10 JM THREADED - FIG. 2



Enclosure	AK Fit	HP	Phase	Dimensions (in)									
				A	B	D	E	F	ØH	AB	BA	Fig.1 Flanged	Fig. 2 Threaded
													OP1
ODP	8.5	7.5	1	9.45	7.95	5.25	4.25	7.00	0.41	7.46	3.50	21.55	22.05
		10	1	9.45	7.95	5.25	4.25	7.00	0.41	7.80	3.50	21.55	22.05
		10	3	9.45	7.95	5.25	4.25	7.00	0.41	8.15	3.50	27.48	20.71
		15	3	9.45	7.95	5.25	4.25	7.00	0.41	7.97	4.25	21.78	22.28
TEFC		7.5	1	9.45	7.95	5.25	4.25	7.00	0.41	7.46	3.50	30.65	23.88
		7.5	3	9.76	8.86	5.25	4.25	7.00	0.41	8.58	3.50	23.06	23.56
		10	1	9.76	8.86	5.25	4.25	7.00	0.41	8.07	3.50	30.65	23.88
		10	3	9.76	8.86	5.25	4.25	7.00	0.41	8.58	3.50	30.33	23.56
	15	3	9.76	8.86	5.25	4.25	7.00	0.41	8.58	3.50	30.33	23.56	

CENTRIFUGAL PUMPS

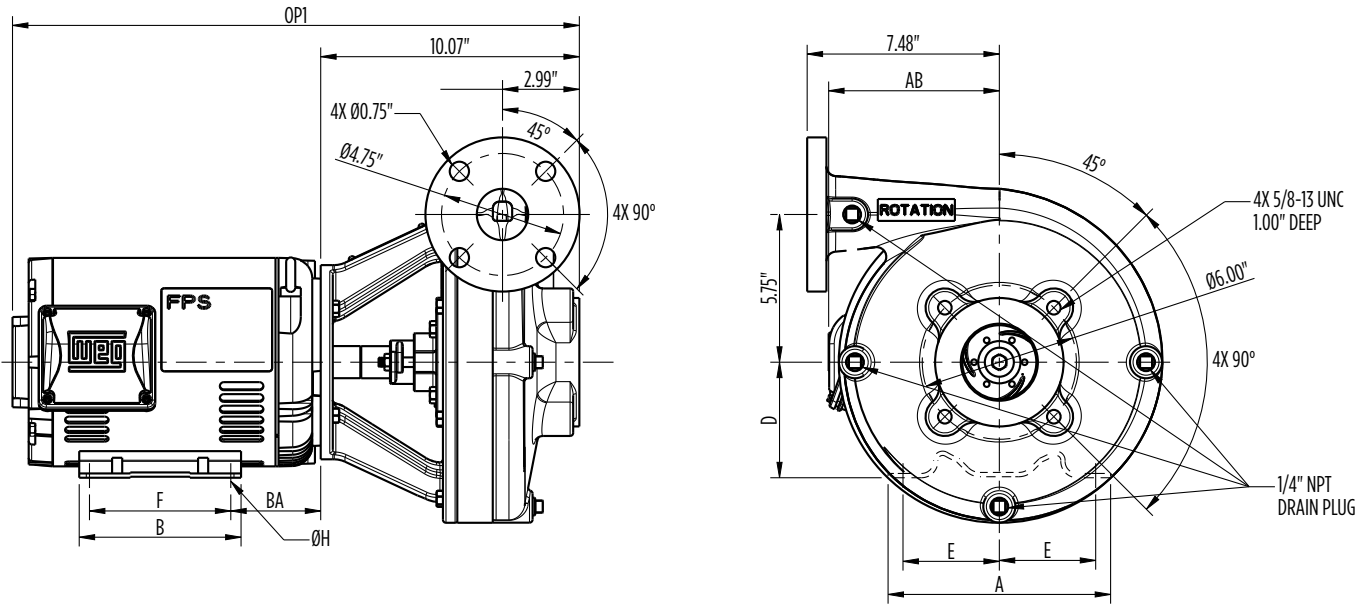
CLOSE-COUPLED AG SERIES

MENU



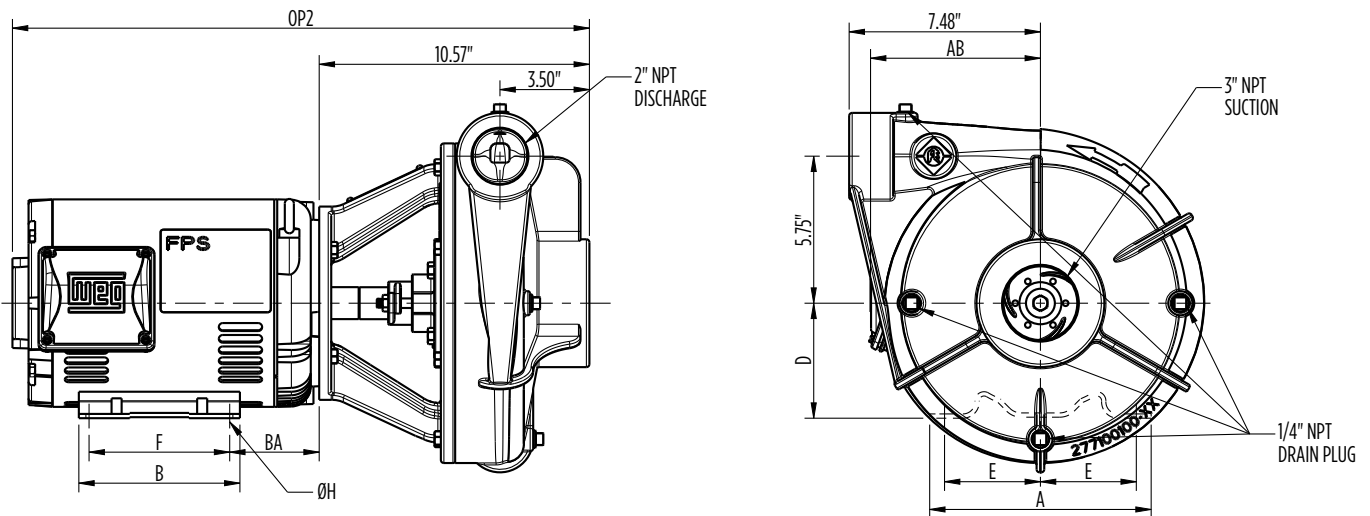
DIMENSIONS

A2 X 3 - 10 JP FLANGED - FIG. 1



DIMENSIONS

A2 X 3 - 10 JP THREADED - FIG. 2



Enclosure	AK Fit	HP	Phase	Dimensions (in)									
				A	B	D	E	F	ØH	AB	BA	Fig. 1 Flanged	Fig. 2 Threaded
												OP1	OP2
ODP	4.5	7.5	3	8.66	6.30	4.50	3.75	5.50	0.41	6.57	2.75	20.48	20.98

CENTRIFUGAL PUMPS

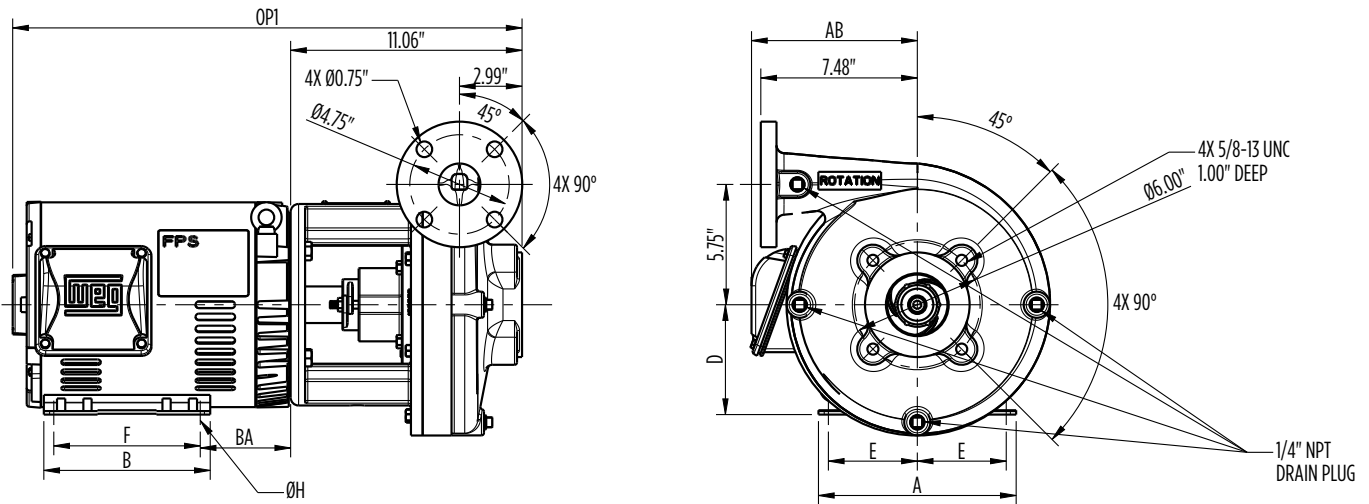
CLOSE-COUPLED AG SERIES



MENU

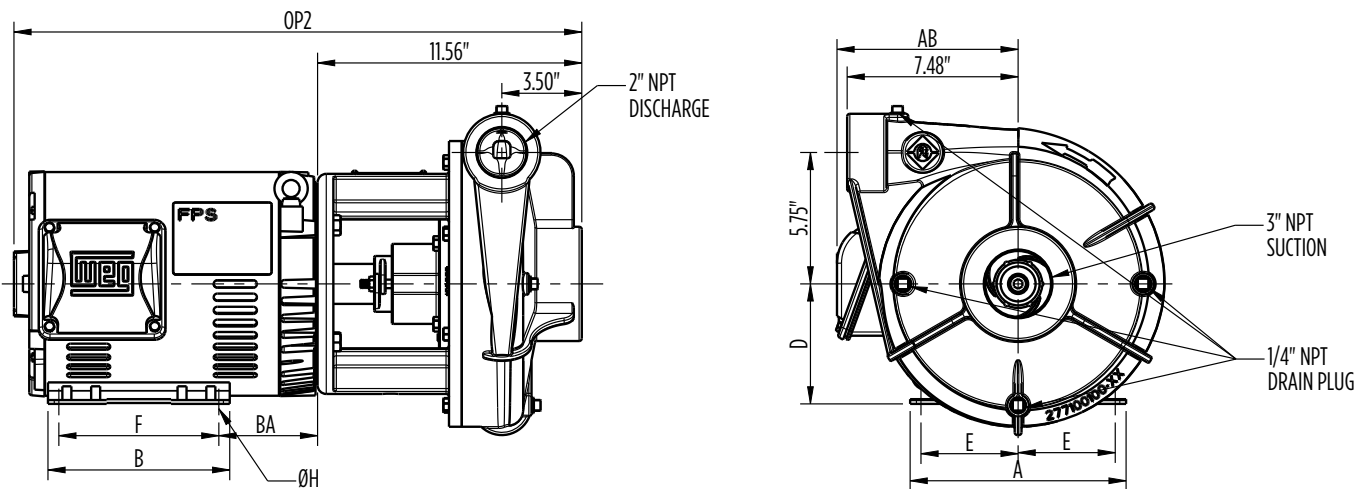
DIMENSIONS

A2 X 3 - 10 JP FLANGED - FIG. 1



DIMENSIONS

A2 X 3 - 10 JP THREADED - FIG. 2



Enclosure	AK Fit	HP	Phase	Dimensions (in)									
				A	B	D	E	F	ØH	AB	BA	Fig. 1 Flanged	Fig. 2 Threaded
													OP1
ODP	8.5	7.5	1	9.45	7.95	5.25	4.25	7.00	0.41	7.46	3.50	25.29	25.79
		10	1	9.45	7.95	5.25	4.25	7.00	0.41	7.80	4.50	25.29	25.79
		10	3	9.45	7.95	5.25	4.25	7.00	0.41	7.97	4.25	24.72	25.22
		15	3	9.45	7.95	5.25	4.25	7.00	0.41	7.97	4.25	25.51	26.01
		20	3	11.42	11.42	6.25	5.00	10.00	0.53	9.45	4.75	27.59	28.09
TEFC		7.5	1	9.76	7.36	5.25	4.25	5.50	0.41	8.07	3.50	25.53	26.03
		7.5	3	9.76	7.36	5.25	4.25	5.50	0.41	8.58	3.50	25.30	25.80
		10	1	9.76	8.86	5.25	4.25	7.00	0.41	8.07	3.50	27.02	27.52
		10	3	9.76	8.86	5.25	4.25	7.00	0.41	8.58	3.50	26.80	27.30
		15	3	12.12	10.00	6.25	5.00	8.25	0.53	10.48	4.25	26.80	27.30
		20	3	12.13	11.73	6.25	5.00	10.00	0.53	10.48	4.25	34.49	31.99

CENTRIFUGAL PUMPS

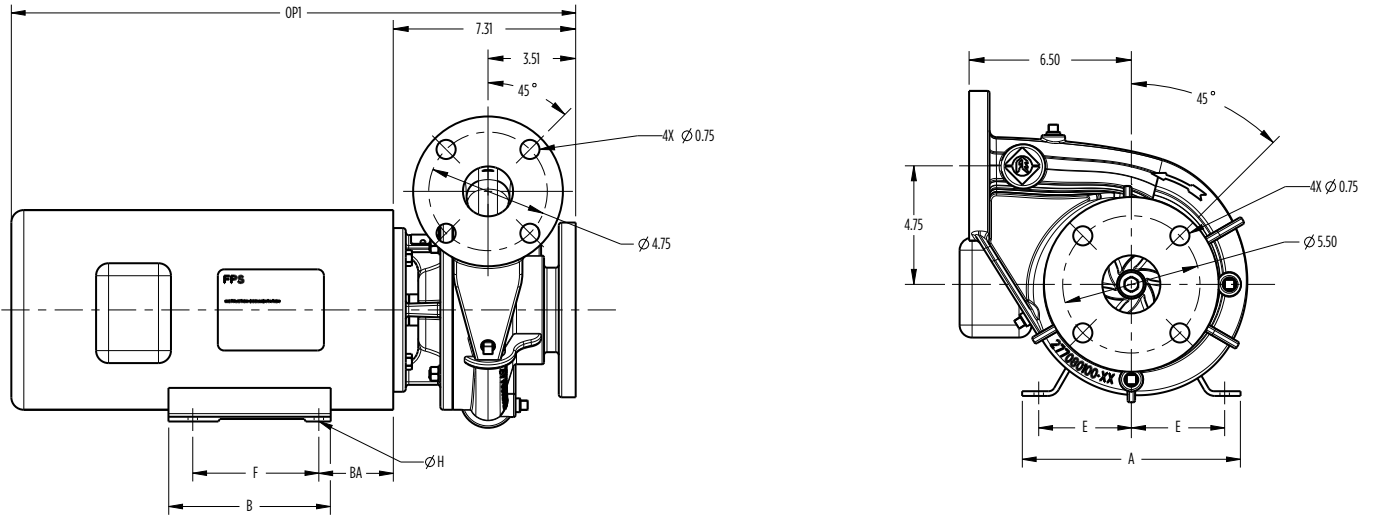
CLOSE-COUPLED AG SERIES

☰ MENU



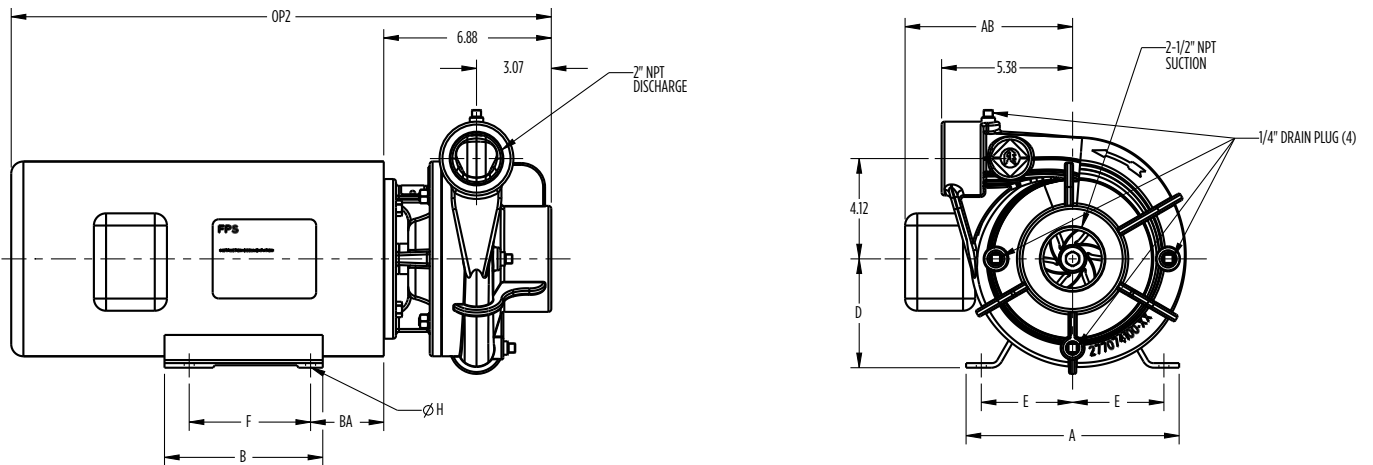
DIMENSIONS

A2 X 2.5 - 6 JM FLANGED - FIG. 1



DIMENSIONS

A2 X 2.5 - 6 JM THREADED - FIG. 2



Enclosure	AK Fit	HP	Phase	Dimensions (in)								Fig. 1 Flanged OP1	Fig. 2 Threaded OP2
				A	B	D	E	F	ØH	AB	BA		
				ODP	4.5	3	1	8.66	6.30	4.50	3.75	5.50	0.41
3	6.54	6.50	3.50	2.75			4.00	0.34	5.43	2.25	17.89	17.46	
5	1	8.66	6.30	4.50		3.75	5.50	0.41	6.26	2.75	22.03	21.60	
	3	8.66	6.30	4.50		3.75	5.50	0.41	6.57	2.75	17.58	17.15	
7.5	3	8.66	6.30	4.50		3.75	5.50	0.41	6.57	2.75	18.37	17.94	
	1	6.54	6.50	3.50		2.75	5.00	0.34	5.87	2.75	20.46	20.03	
TEFC	3	3	6.46	6.14		3.50	2.75	5.00	0.34	6.18	2.56	18.36	17.93
		1	8.66	6.97		4.50	3.75	5.50	0.41	7.84	2.76	20.42	19.99
	5	3	8.66	6.97		4.50	3.75	5.50	0.41	7.56	2.76	20.07	19.64
		3	8.66	6.97	4.50	3.75	5.50	0.41	7.56	2.76	20.07	19.64	

CENTRIFUGAL PUMPS

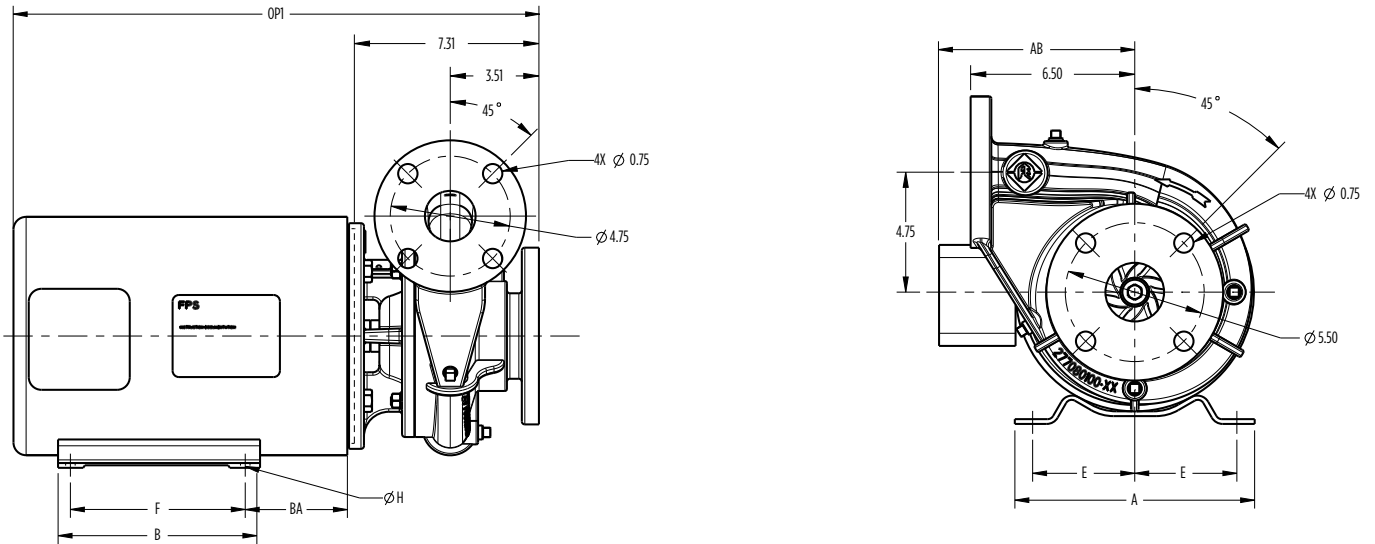
CLOSE-COUPLED AG SERIES

☰ MENU



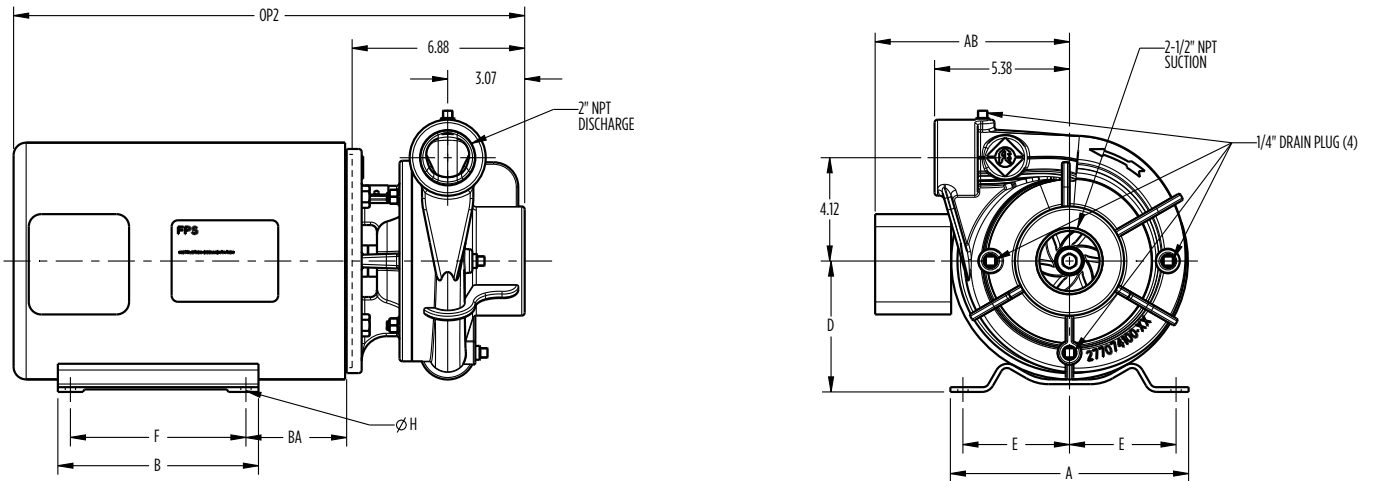
DIMENSIONS

A2 X 2.5 - 6 JM FLANGED - FIG. 1



DIMENSIONS

A2 X 2.5 - 6 JM THREADED - FIG. 2



Enclosure	AK Fit	HP	Phase	Dimensions (in)									
				A	B	D	E	F	ØH	AB	BA	Fig. 1 Flanged	Fig. 2 Threaded
												OP1	OP2
ODP	8.5	7.5	1	9.45	7.95	5.25	4.25	7.00	0.41	7.46	3.50	23.55	23.12
			3	9.45	7.95	5.25	4.25	7.00	0.41	8.15	3.50	20.38	19.95
		10	1	9.45	7.95	5.25	4.25	7.00	0.41	7.80	3.50	21.72	21.29
			3	9.45	7.95	5.25	4.25	7.00	0.41	8.15	3.50	20.38	19.95
TEFC	8.5	7.5	1	9.45	7.95	5.25	4.25	7.00	0.41	7.46	3.50	23.55	23.12
			3	9.76	8.86	5.25	4.25	7.00	0.41	8.07	3.50	23.88	23.45
		10	1	9.76	8.86	5.25	4.25	7.00	0.41	8.58	3.50	23.23	22.80
			3	9.76	8.86	5.25	4.25	7.00	0.41	8.58	3.50	23.23	22.80

CENTRIFUGAL PUMPS

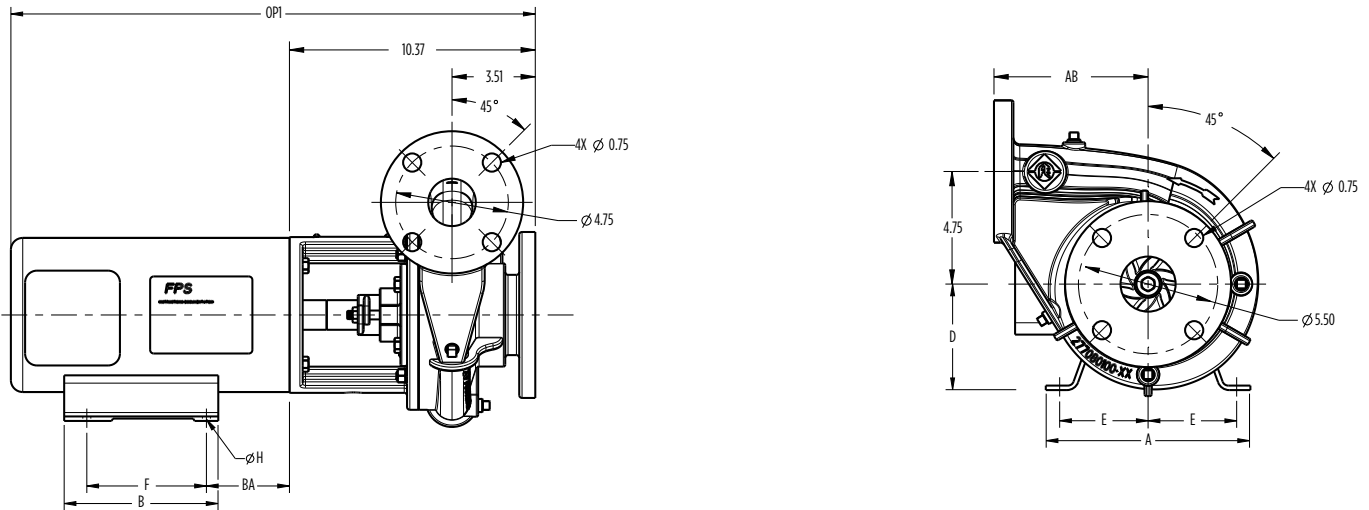
CLOSE-COUPLED AG SERIES

☰ MENU



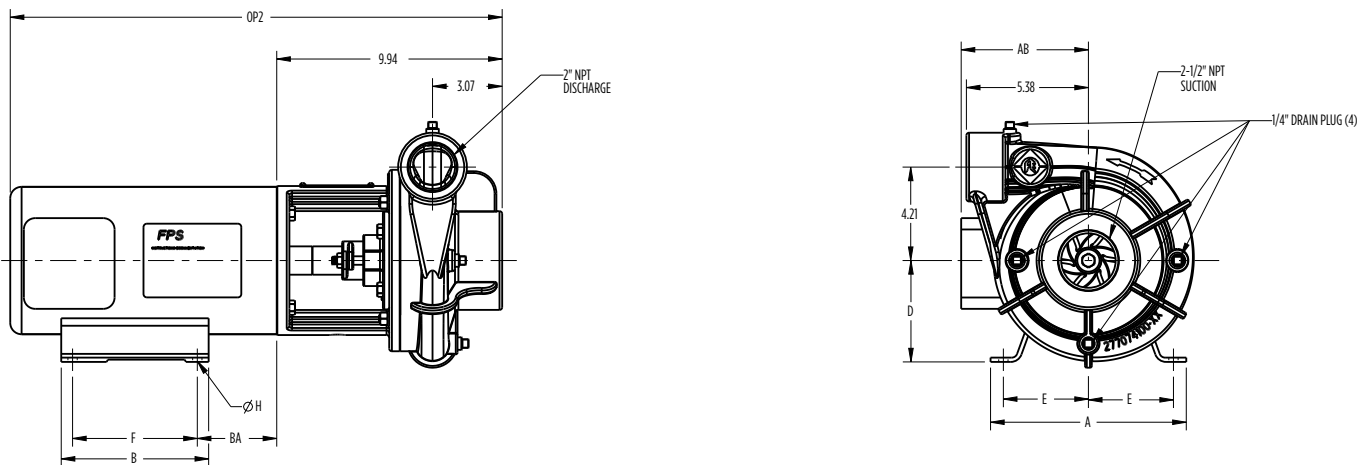
DIMENSIONS

A2 X 2.5 - 6 JP FLANGED - FIG. 1



DIMENSIONS

A2 X 2.5 - 6 JP THREADED - FIG. 2



Enclosure	AK Fit	HP	Phase	Dimensions (in)									
				A	B	D	E	F	ØH	AB	BA	Fig. 1 Flanged	Fig. 2 Threaded
												OP1	OP2
ODP	4.5	3	1	8.66	6.30	4.50	3.75	5.50	0.41	6.26	2.75	24.99	24.56
			3	6.54	6.50	3.50	2.75	4.00	0.34	5.43	2.25	20.96	20.53
		5	1	8.66	6.30	4.50	3.75	5.50	0.41	6.26	2.75	24.99	24.56
			3	8.66	6.30	4.50	3.75	5.50	0.41	6.57	2.75	23.29	22.86
		7.5	3	8.66	6.30	4.50	3.75	5.50	0.41	6.57	2.75	24.07	23.64
			3	6.54	6.50	3.50	2.75	5.00	0.34	5.87	2.75	23.79	23.36
TEFC	4.5	3	1	6.46	6.14	3.50	2.75	5.00	0.34	6.18	2.56	21.42	20.99
			3	8.66	6.97	4.50	3.75	5.50	0.41	7.84	2.76	23.48	23.05
		5	1	8.66	6.97	4.50	3.75	5.50	0.41	7.56	2.76	23.13	22.70
			3	8.66	6.97	4.50	3.75	5.50	0.41	7.56	2.76	23.13	22.70
		7.5	3	8.66	6.97	4.50	3.75	5.50	0.41	7.56	2.76	23.13	22.70
			3	8.66	6.97	4.50	3.75	5.50	0.41	7.56	2.76	23.13	22.70

CENTRIFUGAL PUMPS

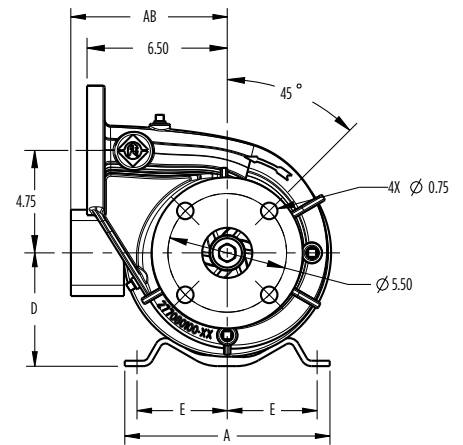
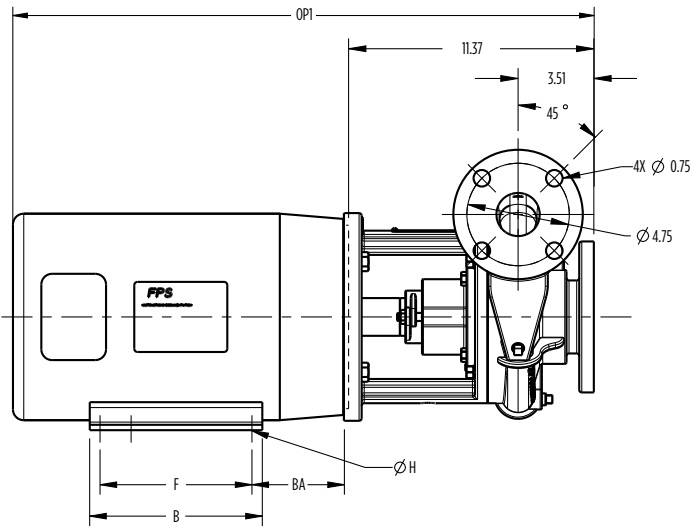
CLOSE-COUPLED AG SERIES

☰ MENU



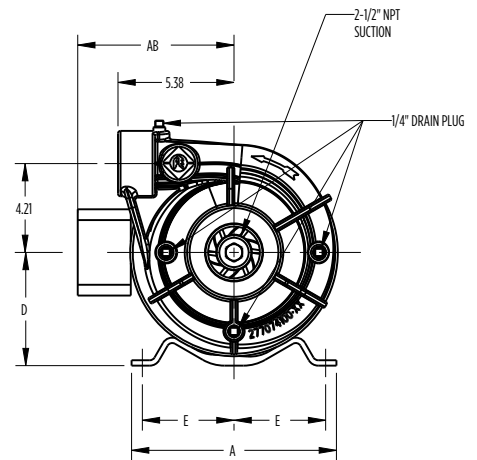
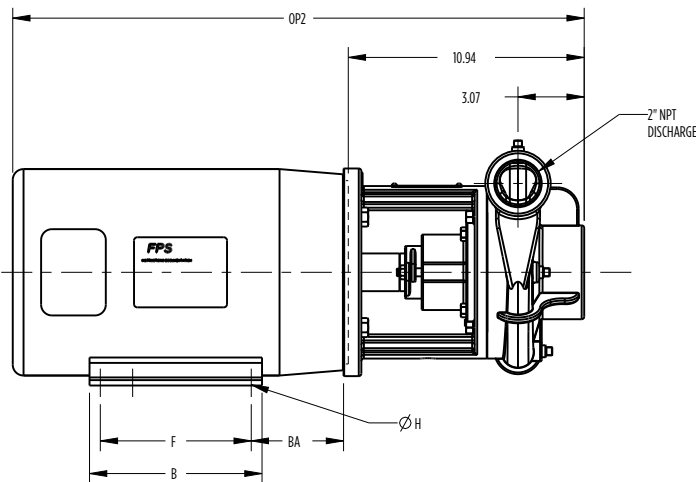
DIMENSIONS

A2 X 2.5 - 6 JP FLANGED - FIG. 1



DIMENSIONS

A2 X 2.5 - 6 JP THREADED - FIG. 2



Enclosure	AK Fit	HP	Phase	Dimensions (in)									
				A	B	D	E	F	ØH	AB	BA	Fig. 1 Flanged	Fig. 2 Threaded
												OP1	OP2
ODP	8.5	7.5	1	9.45	7.95	5.25	4.25	7.00	0.41	7.46	3.50	27.61	27.18
			3	9.45	7.95	5.25	4.25	7.00	0.41	8.15	3.50	24.46	24.03
		10	1	9.45	7.95	5.25	4.25	7.00	0.41	7.80	4.50	25.78	25.35
			3	9.45	7.95	5.25	4.25	7.00	0.41	8.15	3.50	24.46	24.03
TEFC	8.5	7.5	1	9.76	7.36	5.25	4.25	5.50	0.41	8.07	3.50	26.02	25.59
			3	9.76	8.86	5.25	4.25	7.00	0.41	8.07	3.50	27.51	27.08
		10	1	9.76	8.86	5.25	4.25	7.00	0.41	8.58	3.50	27.29	26.86
			3	9.76	8.86	5.25	4.25	7.00	0.41	8.58	3.50	27.29	26.86

CENTRIFUGAL PUMPS

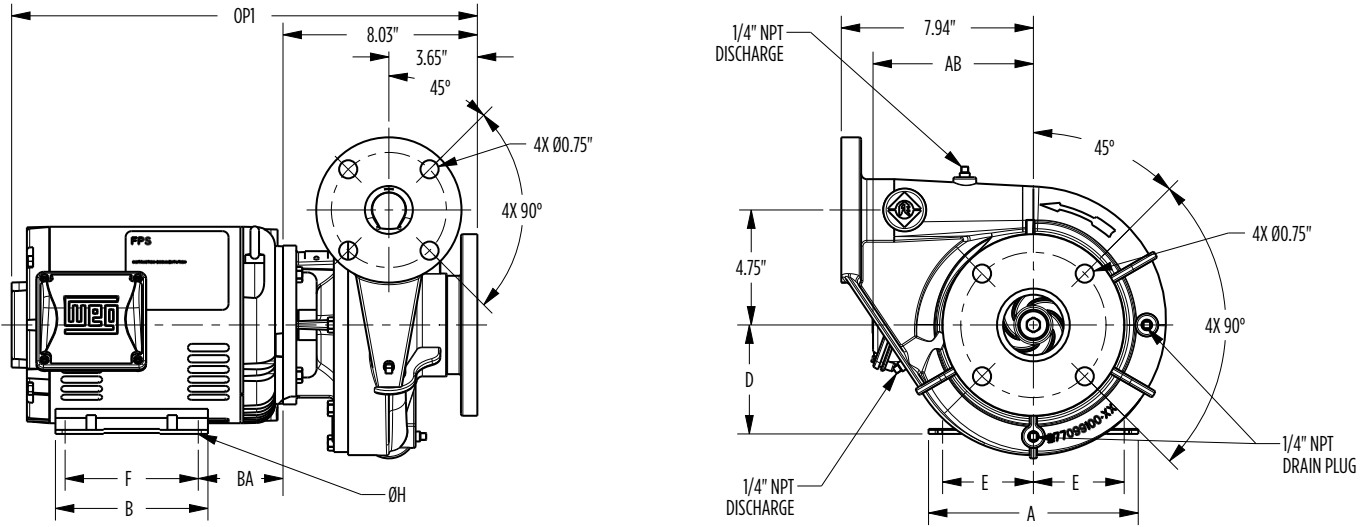
CLOSE-COUPLED AG SERIES



MENU

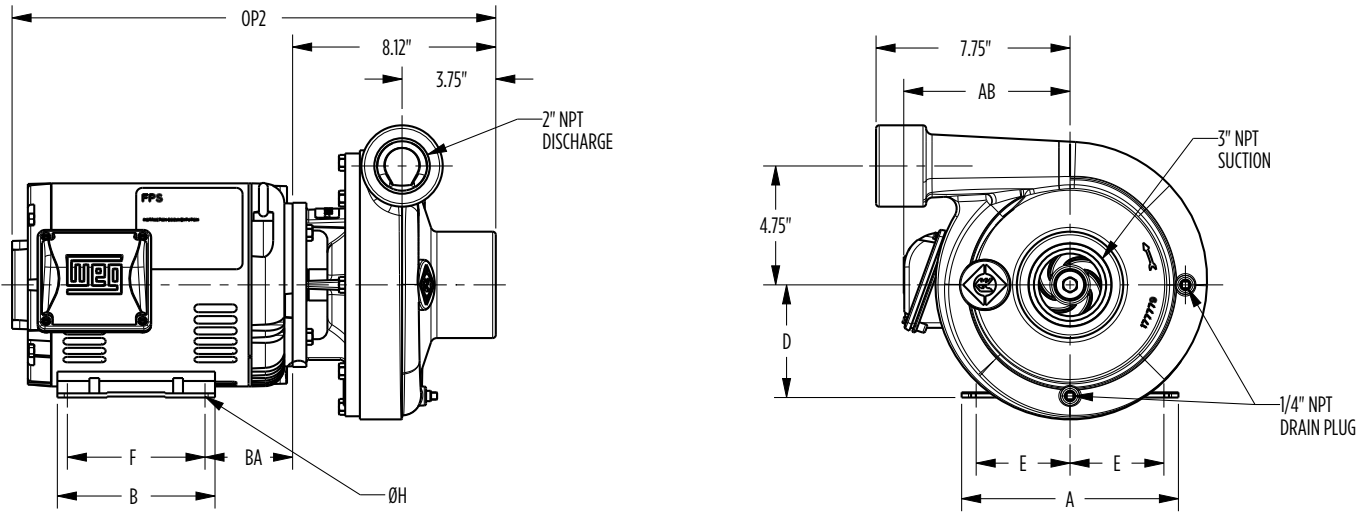
DIMENSIONS

A2 X 3 - 8 JM FLANGED - FIG. 1



DIMENSIONS

A2 X 3 - 8 JM THREADED - FIG. 2



Enclosure	AK Fit	HP	Phase	Dimensions (in)								Fig. 1 Flanged OP1	Fig. 2 Threaded OP2
				A	B	D	E	F	ØH	AB	BA		
				ODP	4.5	7.5	3	8.66	6.30	4.50	3.75	5.50	0.41

CENTRIFUGAL PUMPS

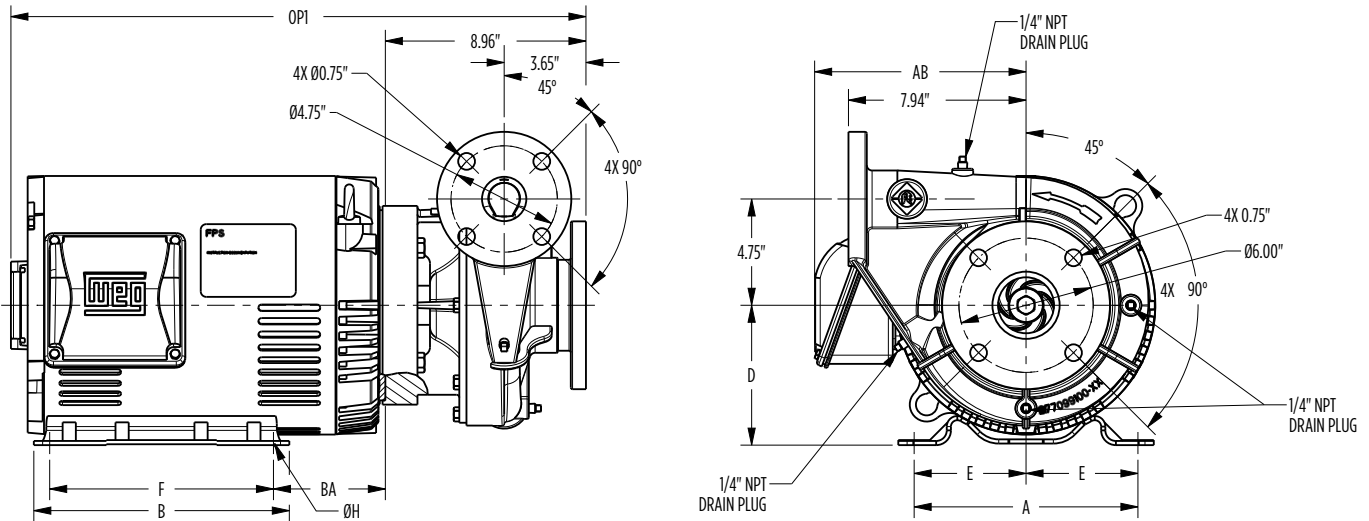
CLOSE-COUPLED AG SERIES

MENU



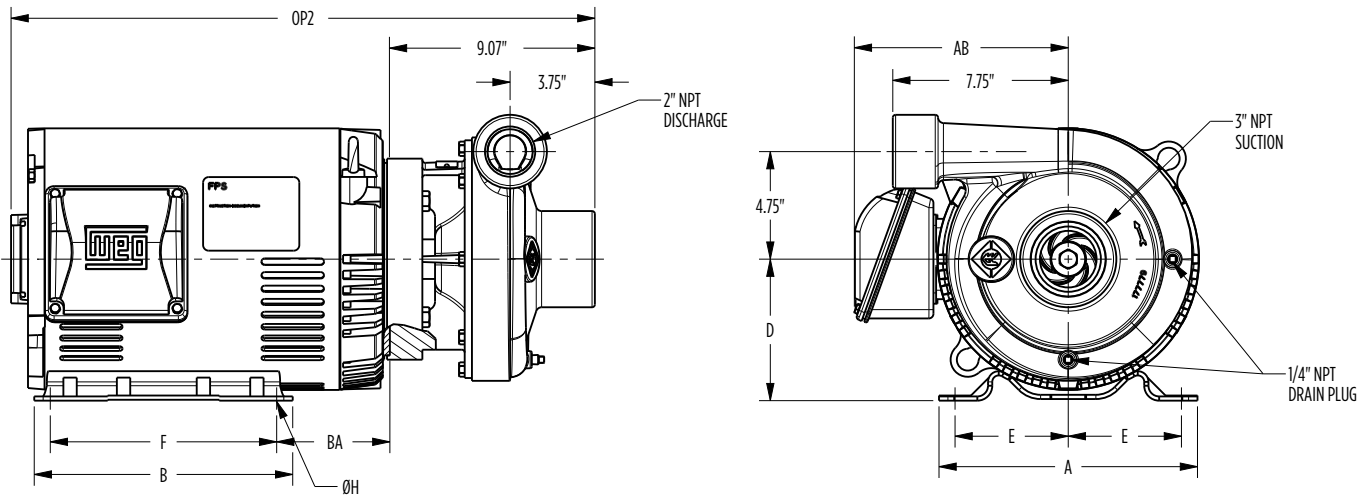
DIMENSIONS

A2 X 3 - 8 JM FLANGED - FIG. 1



DIMENSIONS

A2 X 3 - 8 JM THREADED - FIG. 2



Enclosure	AK Fit	HP	Phase	Dimensions (in)									
				A	B	D	E	F	ØH	AB	BA	Fig.1 Flanged	Fig. 2 Threaded
													OP1
ODP	8.5	7.51	1	9.45	7.95	5.25	4.25	7.00	0.41	7.46	3.50	22.44	22.53
		10	1	9.75	7.95	5.25	4.25	7.00	0.41	7.80	3.50	22.44	22.53
		10	3	9.45	7.95	5.25	4.25	7.00	0.41	8.15	3.50	21.09	21.18
		15	3	9.45	7.95	5.25	4.25	7.00	0.41	7.97	4.25	22.67	22.76
TEFC		7.5	1	9.45	7.95	5.25	4.25	7.00	0.41	7.46	3.50	24.27	24.36
		7.5	3	9.76	8.86	5.25	4.25	7.00	0.41	8.58	3.50	23.94	24.03
		10	1	9.76	8.86	5.25	4.25	7.00	0.41	8.07	3.50	24.17	24.26
		10	3	9.76	8.86	5.25	4.25	7.00	0.41	8.58	3.50	23.94	24.03
		15	3	9.76	8.86	5.25	4.25	7.00	0.41	8.58	3.50	23.94	24.03

CENTRIFUGAL PUMPS

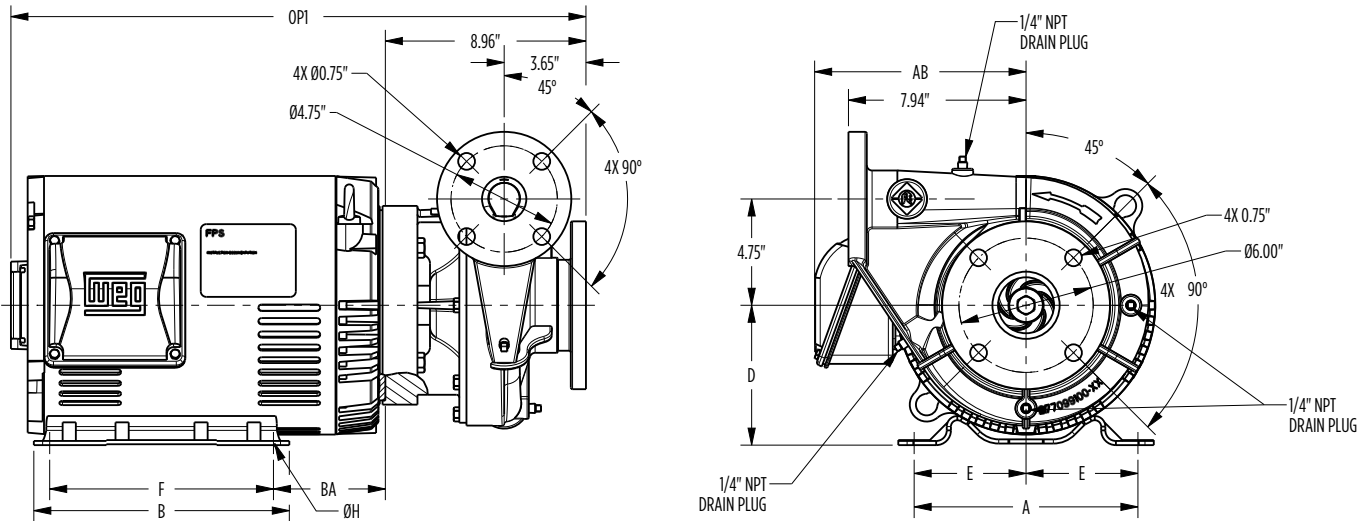
CLOSE-COUPLED AG SERIES

MENU



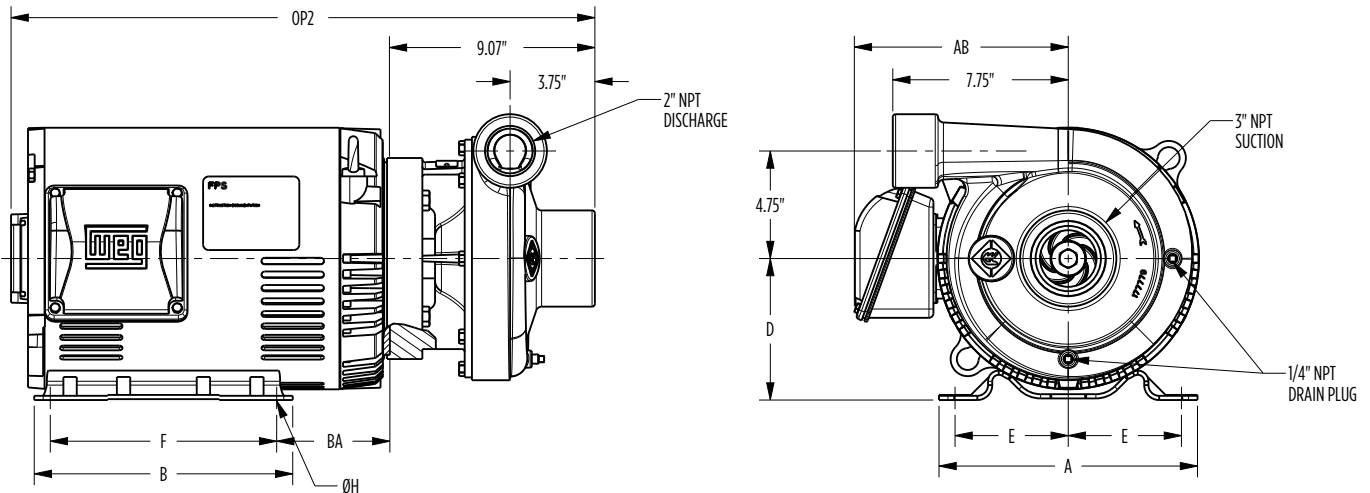
DIMENSIONS

A2 X 3 - 8 JM FLANGED - FIG. 1



DIMENSIONS

A2 X 3 - 8 JM THREADED - FIG. 2



Enclosure	AK Fit	HP	Phase	Dimensions (in)									
				A	B	D	E	F	ØH	AB	BA	Fig. 1 Flanged	Fig. 2 Threaded
												OP1	OP2
ODP	8.5	20	3	12.13	10.10	6.22	5.00	8.25	0.53	10.08	4.50	25.88	25.98
TEFC				12.13	11.73	6.25	5.00	10.00	0.53	10.48	4.25	29.82	29.91

CENTRIFUGAL PUMPS

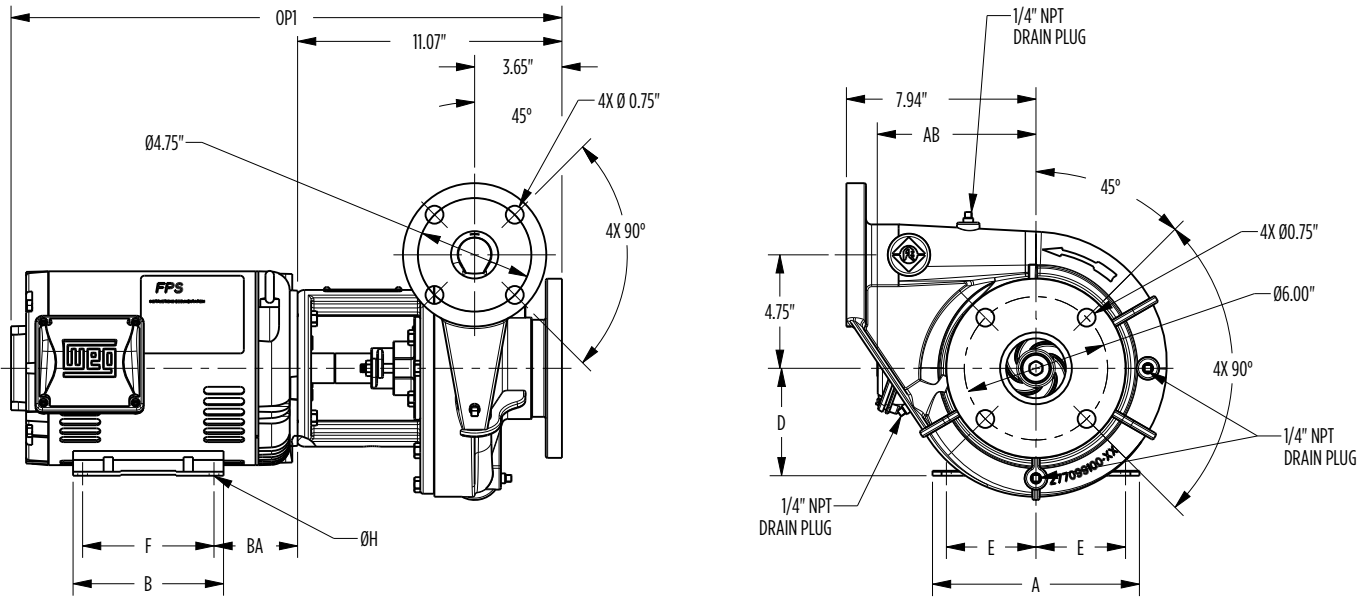
CLOSE-COUPLED AG SERIES

MENU



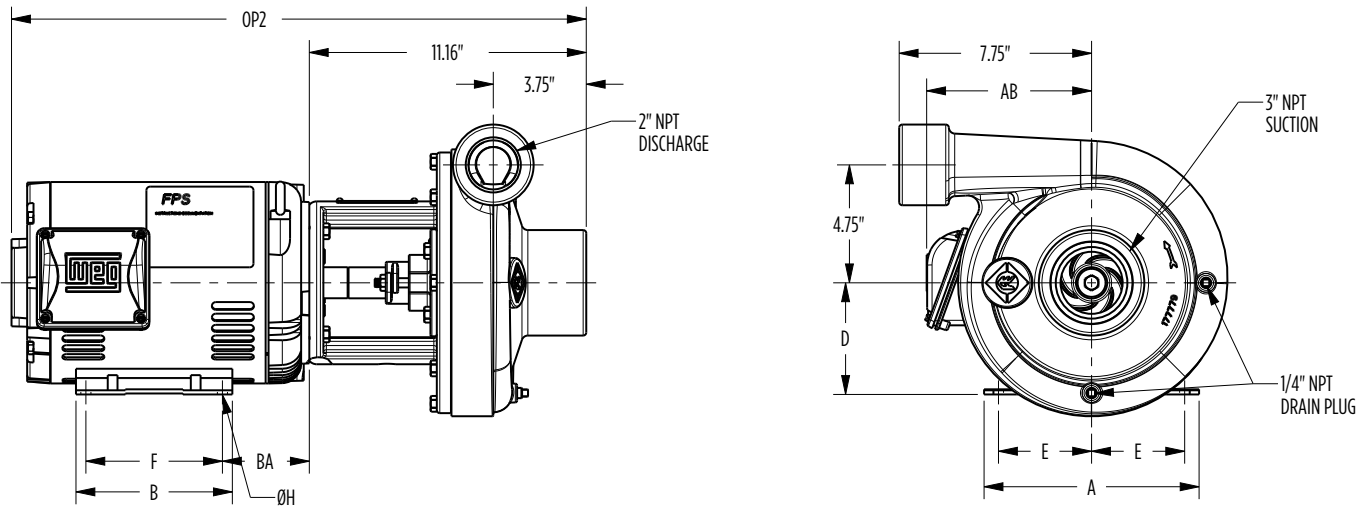
DIMENSIONS

A2 X 3 - 8 JP FLANGED - FIG. 1



DIMENSIONS

A2 X 3 - 8 JP THREADED - FIG. 2



Enclosure	AK Fit	HP	Phase	Dimensions (in)									
				A	B	D	E	F	ØH	AB	BA	Fig. 1 Flanged	Fig. 2 Threaded
												OP1	OP2
ODP	4.5	7.5	3	8.66	6.30	4.50	3.75	5.50	0.41	6.70	3.50	23.48	23.56

CENTRIFUGAL PUMPS

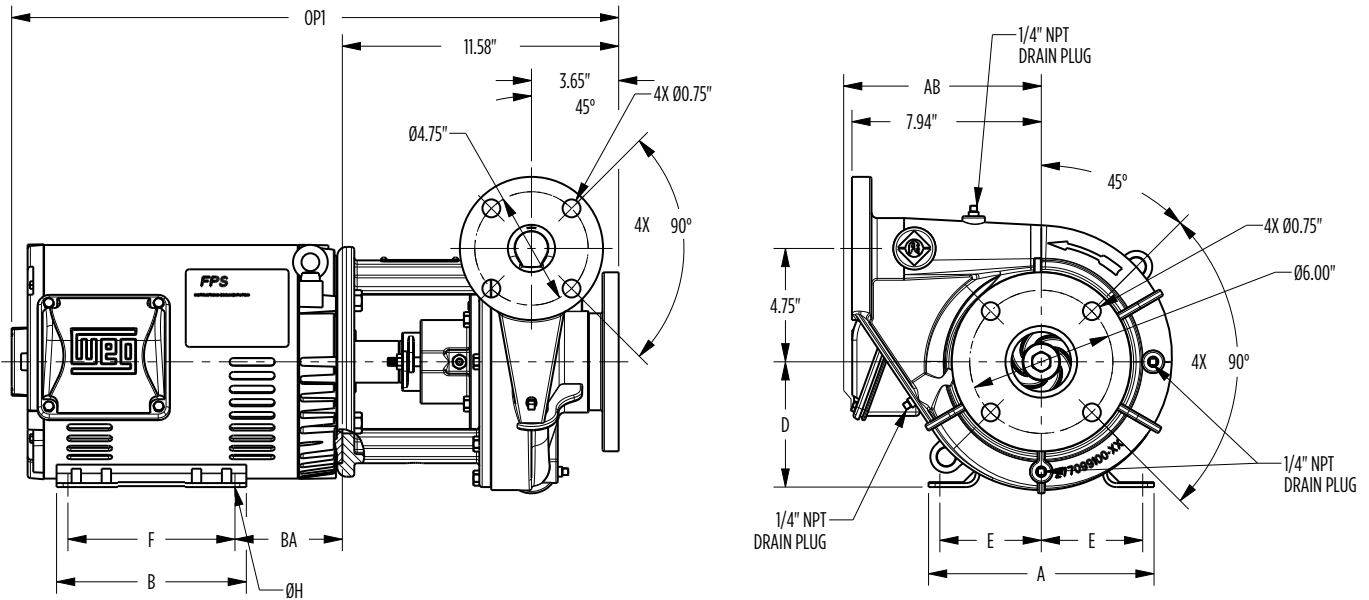
CLOSE-COUPLED AG SERIES



MENU

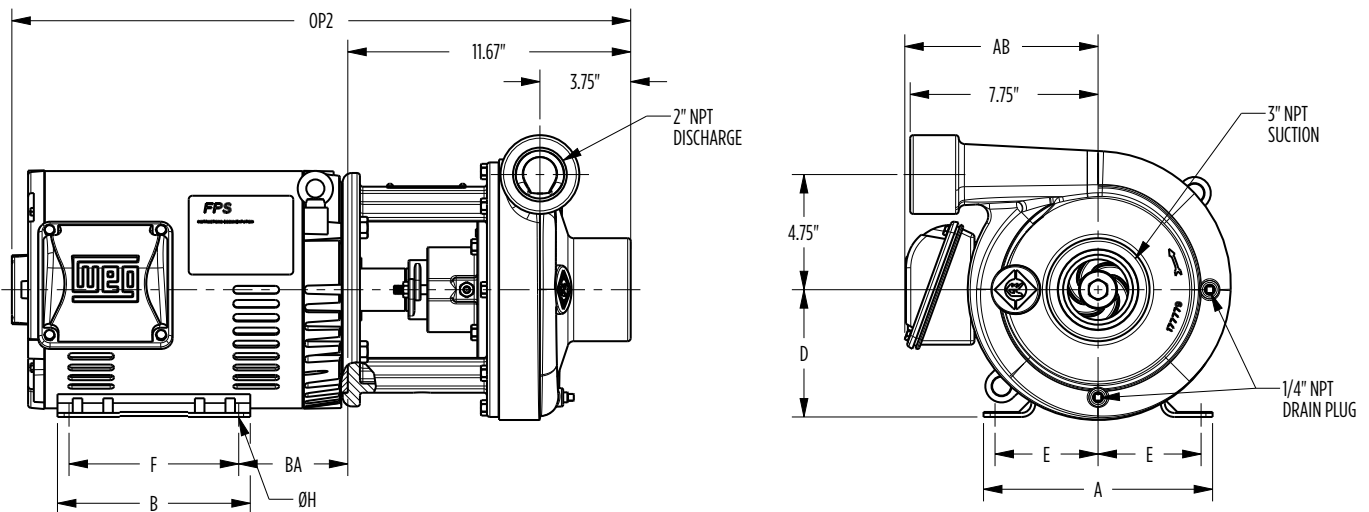
DIMENSIONS

A2 X 3 - 8 JP FLANGED - FIG. 1



DIMENSIONS

A2 X 3 - 8 JP THREADED - FIG. 2



Enclosure	AK Fit	HP	Phase	Dimensions (in)									
				A	B	D	E	F	ØH	AB	BA	Fig. 1 Flanged	Fig. 2 Threaded
												OP1	OP2
ODP	8.5	15	3	9.45	7.95	5.25	4.25	7.00	0.41	7.97	4.25	26.21	26.30
		20		11.42	11.42	6.25	5.00	10.00	0.53	9.45	4.75	28.29	28.38
15		12.13		10.00	6.25	5.00	8.25	0.53	10.48	4.25	30.41	30.50	
20		12.13		11.73	6.25	5.00	10.00	0.53	10.48	4.25	32.19	32.28	

CENTRIFUGAL PUMPS

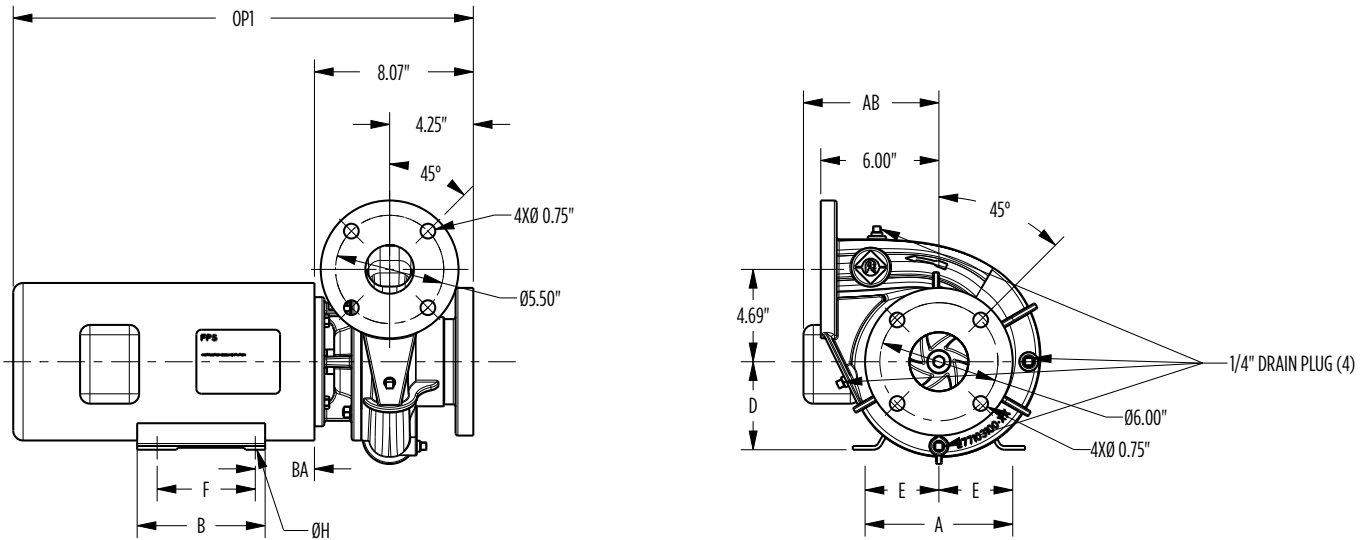
CLOSE-COUPLED AG SERIES

MENU



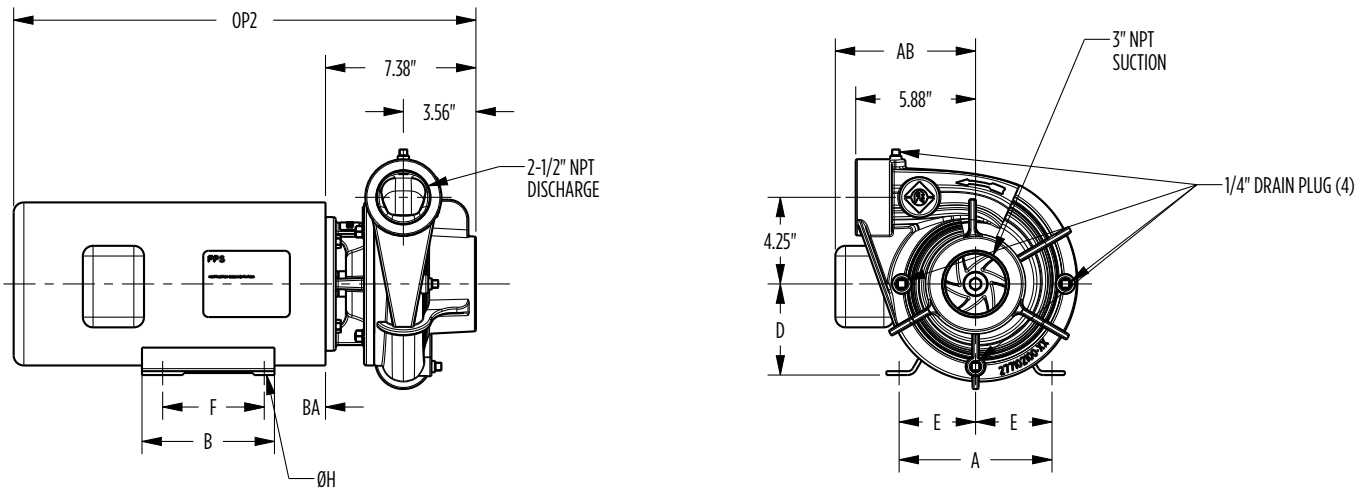
DIMENSIONS

A2.5 X 3 - 6 JM FLANGED - FIG. 1



DIMENSIONS

A2.5 X 3 - 6 JM THREADED - FIG. 2



Enclosure	AK Fit	HP	Phase	Dimensions (in)								Fig. 1 Flanged OP1	Fig. 2 Threaded OP2
				A	B	D	E	F	ØH	AB	BA		
ODP	4.5	3	1	8.66	6.30	4.50	3.75	5.50	0.41	6.26	2.75	22.79	22.10
			3	6.54	6.50	3.50	2.75	4.00	0.34	5.43	2.25	18.65	17.96
		5	1	8.66	6.30	4.50	3.75	5.50	0.41	6.26	2.75	22.79	22.10
			3	8.66	6.30	4.50	3.75	5.50	0.41	6.57	2.75	18.34	17.65
		7.5	3	8.66	6.30	4.50	3.75	5.50	0.41	6.57	2.75	19.13	18.44
			3	6.50	6.54	3.50	2.75	5.00	0.34	5.87	2.75	21.48	20.79
TEFC	4.5	3	1	8.66	6.30	4.50	3.75	5.50	0.41	6.26	2.75	19.81	19.12
			3	8.66	6.30	4.50	3.75	5.50	0.41	6.57	2.75	21.18	20.49
		5	1	8.66	6.97	4.50	3.75	5.50	0.41	7.84	2.76	21.18	20.49
			3	8.66	6.97	4.50	3.75	5.50	0.41	7.57	2.75	20.83	20.14

CENTRIFUGAL PUMPS

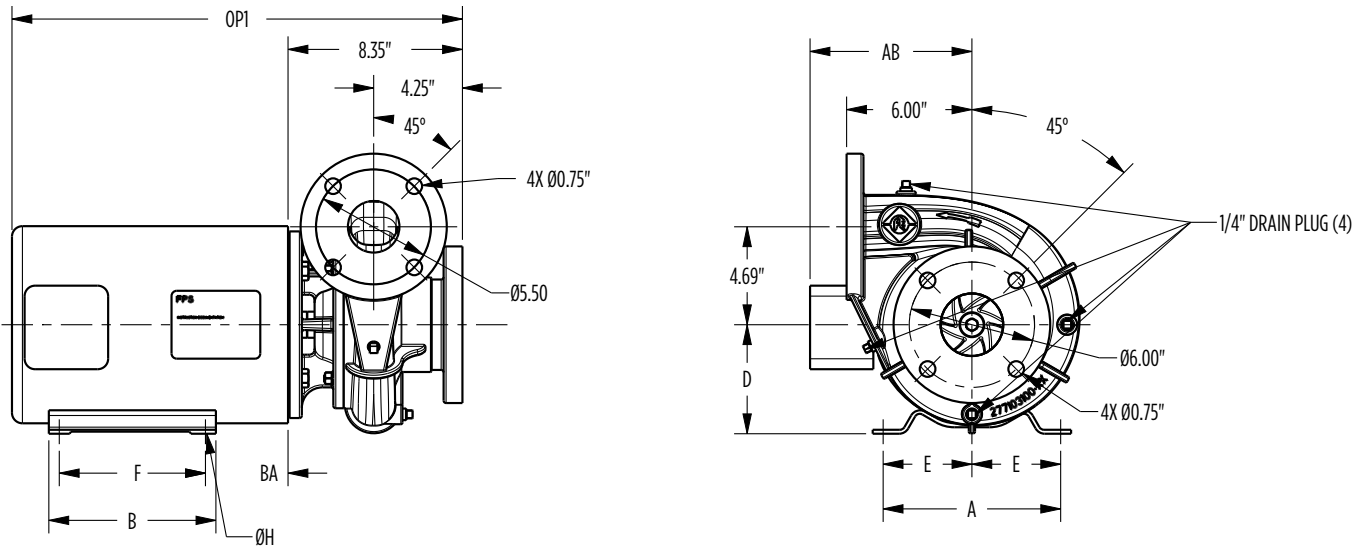
CLOSE-COUPLED AG SERIES

MENU



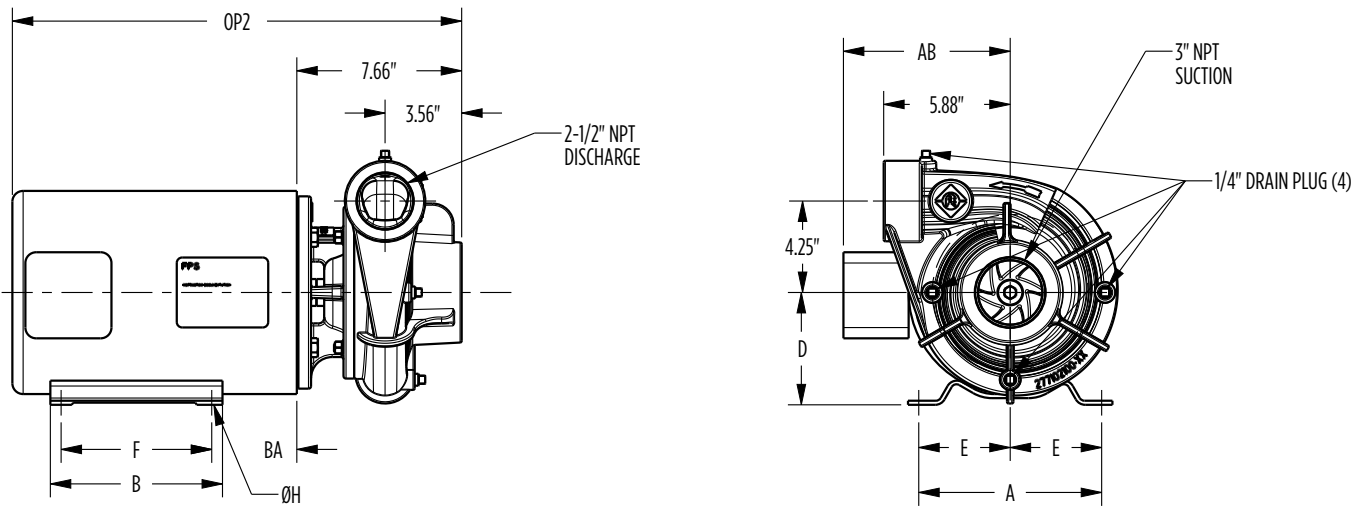
DIMENSIONS

A2.5 X 3 - 6 JM FLANGED - FIG. 1



DIMENSIONS

A2.5 X 3 - 6 JM THREADED - FIG. 2



Enclosure	AK Fit	HP	Phase	Dimensions (in)									Fig. 1 Flanged OP1	Fig. 2 Threaded OP2
				A	B	D	E	F	ØH	AB	BA			
ODP	8.5	7.5	1	9.45	7.95	5.25	4.25	7.00	0.41	7.46	3.50	22.48	21.79	
			3	9.45	7.95	5.25	4.25	7.00	0.41	8.15	3.50	21.14	20.45	
		10	1	9.45	7.95	5.25	4.25	7.00	0.41	7.80	3.50	22.48	21.79	
			3	9.45	7.95	5.25	4.25	7.00	0.41	7.97	4.25	22.71	22.02	
TEFC	8.5	7.5	1	9.45	7.95	5.25	4.25	7.00	0.41	7.46	3.50	24.31	23.62	
			3	9.76	8.86	5.25	4.25	7.00	0.41	8.58	3.50	24.99	24.30	
		10	1	9.76	8.86	5.25	4.25	7.00	0.41	8.07	3.50	24.21	23.52	
			3	9.76	8.86	5.25	4.25	7.00	0.41	8.58	3.50	23.99	23.30	
		15	1	9.76	8.86	5.25	4.25	7.00	0.41	8.58	3.50	23.99	23.30	
			3	9.76	8.86	5.25	4.25	7.00	0.41	8.58	3.50	23.99	23.30	

CENTRIFUGAL PUMPS

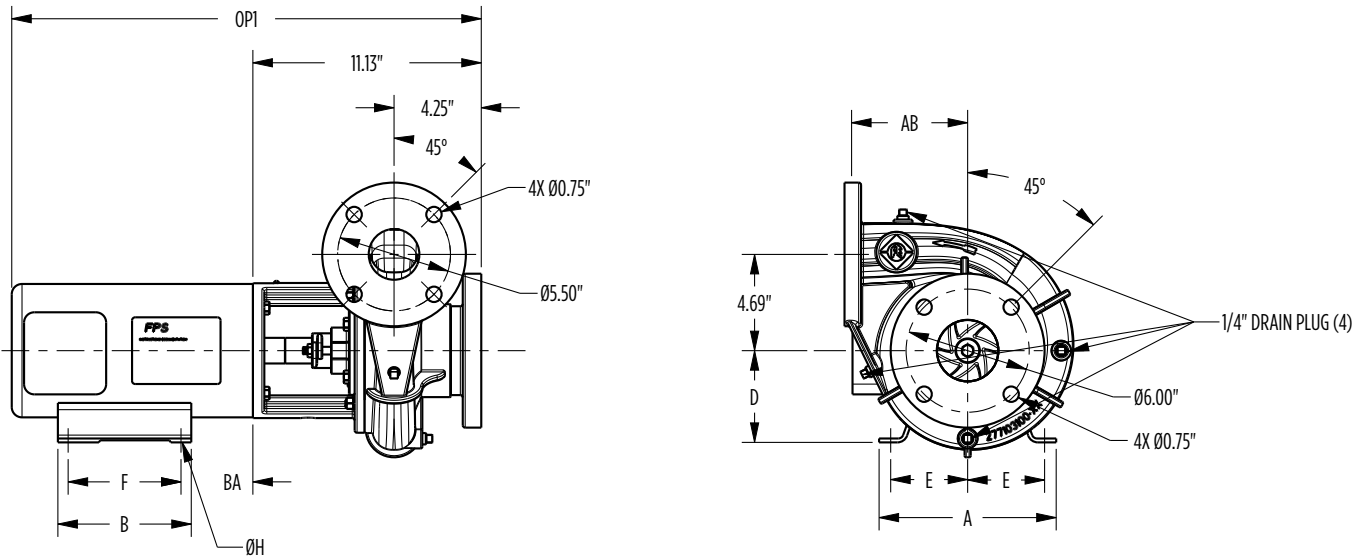
CLOSE-COUPLED AG SERIES

☰ MENU



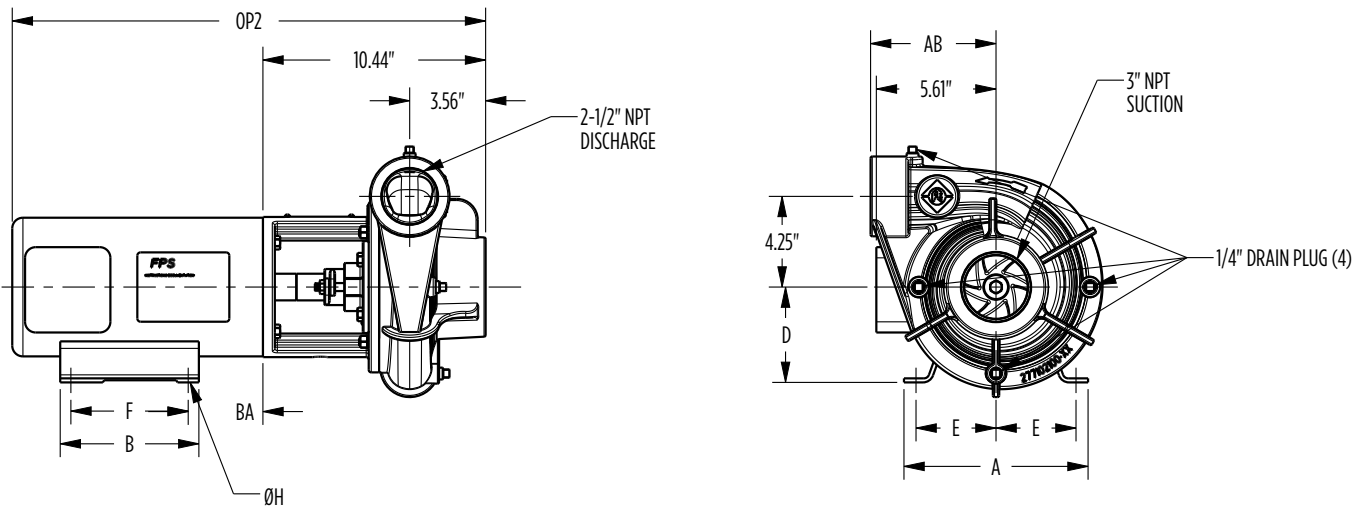
DIMENSIONS

A2.5 X 3 - 6 JP FLANGED - FIG. 1



DIMENSIONS

A2.5 X 3 - 6 JP THREADED - FIG. 2



Enclosure	AK Fit	HP	Phase	Dimensions (in)								Fig. 1 Flanged OP1	Fig. 2 Threaded OP2
				A	B	D	E	F	ØH	AB	BA		
ODP	4.5	3	1	8.66	6.30	4.50	3.75	5.50	0.41	6.26	2.75	25.16	25.85
			3	6.54	6.50	3.50	2.75	5.00	0.34	5.87	2.25	20.68	21.37
		5	1	8.66	6.30	4.50	3.75	5.50	0.41	6.26	2.75	25.06	25.75
			3	8.66	6.30	4.50	3.75	5.50	0.41	6.70	3.50	22.45	23.14
TEFC	4.5	7.5	3	8.66	6.30	4.50	3.75	5.50	0.41	6.70	3.50	22.85	23.54
			3	1	6.50	6.54	3.50	2.75	5.00	0.34	5.87	2.75	23.87
		3		8.66	5.95	4.50	3.75	4.50	0.41	7.56	2.75	22.18	22.87
		5	1	8.66	6.97	4.50	3.75	5.50	0.41	7.84	2.76	23.55	24.24
			3	8.66	6.97	4.50	3.75	5.50	0.41	6.57	2.75	23.52	24.21

CENTRIFUGAL PUMPS

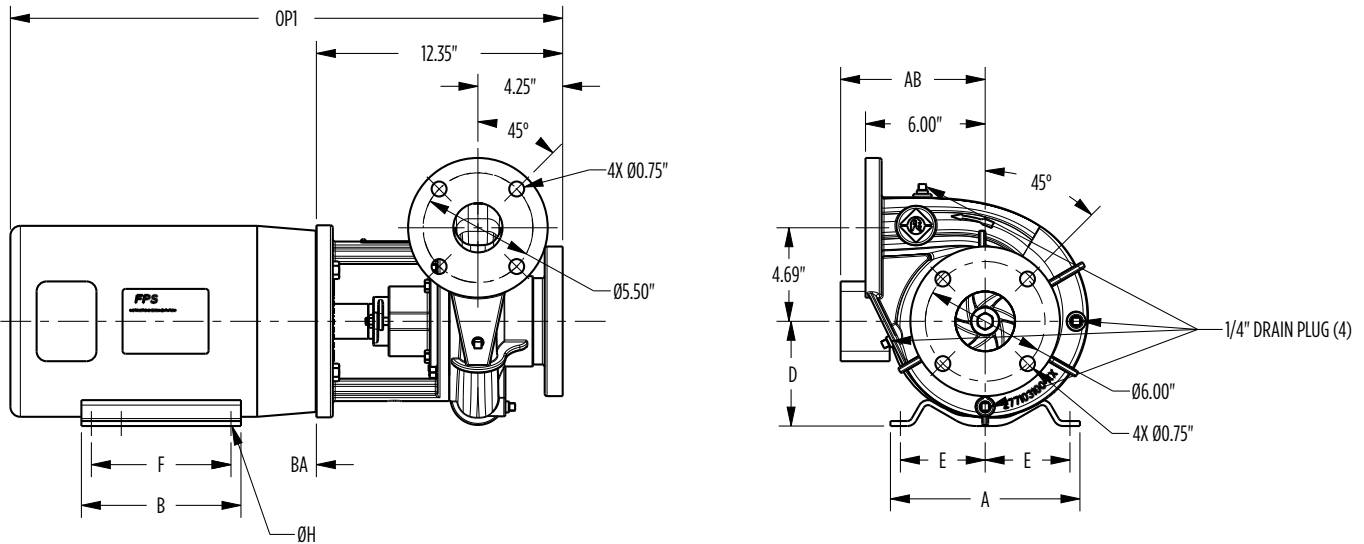
CLOSE-COUPLED AG SERIES

MENU



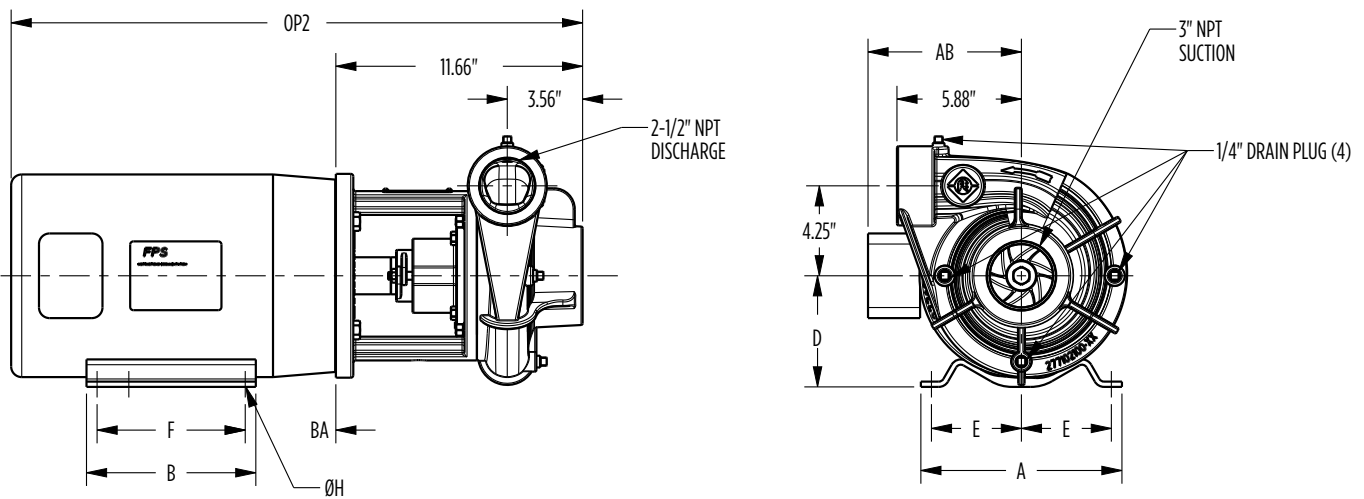
DIMENSIONS

A2.5 X 3 - 6 JP FLANGED - FIG. 1



DIMENSIONS

A2.5 X 3 - 6 JP THREADED - FIG. 2



Enclosure	AK Fit	HP	Phase	Dimensions (in)									Fig. 1 Flanged OP1	Fig. 2 Threaded OP2
				A	B	D	E	F	ØH	AB	BA			
ODP	8.5	7.5	1	9.45	7.95	5.25	4.25	7.00	0.41	7.46	3.50	25.85	26.54	
			3	9.45	7.95	5.25	4.25	7.00	0.41	7.97	4.25	25.28	25.97	
		10	1	9.45	7.95	5.25	4.25	7.00	0.41	7.97	4.25	26.07	26.76	
			3	9.45	7.95	5.25	4.25	7.00	0.41	7.97	4.25	26.07	26.76	
TEFC	8.5	7.5	1	9.76	7.36	5.25	4.25	5.50	0.41	8.07	3.50	26.09	26.78	
			3	9.76	7.36	5.25	4.25	5.50	0.41	8.58	3.50	25.86	26.55	
		10	1	9.76	8.86	5.25	4.25	7.00	0.41	8.07	3.50	27.58	28.27	
			3	9.76	8.86	5.25	4.25	7.00	0.41	8.58	3.50	27.36	28.05	
		15	1	12.13	10.00	6.25	5.00	8.25	0.53	10.48	4.25	30.27	30.96	
			3	12.13	10.00	6.25	5.00	8.25	0.53	10.48	4.25	30.27	30.96	

CENTRIFUGAL PUMPS

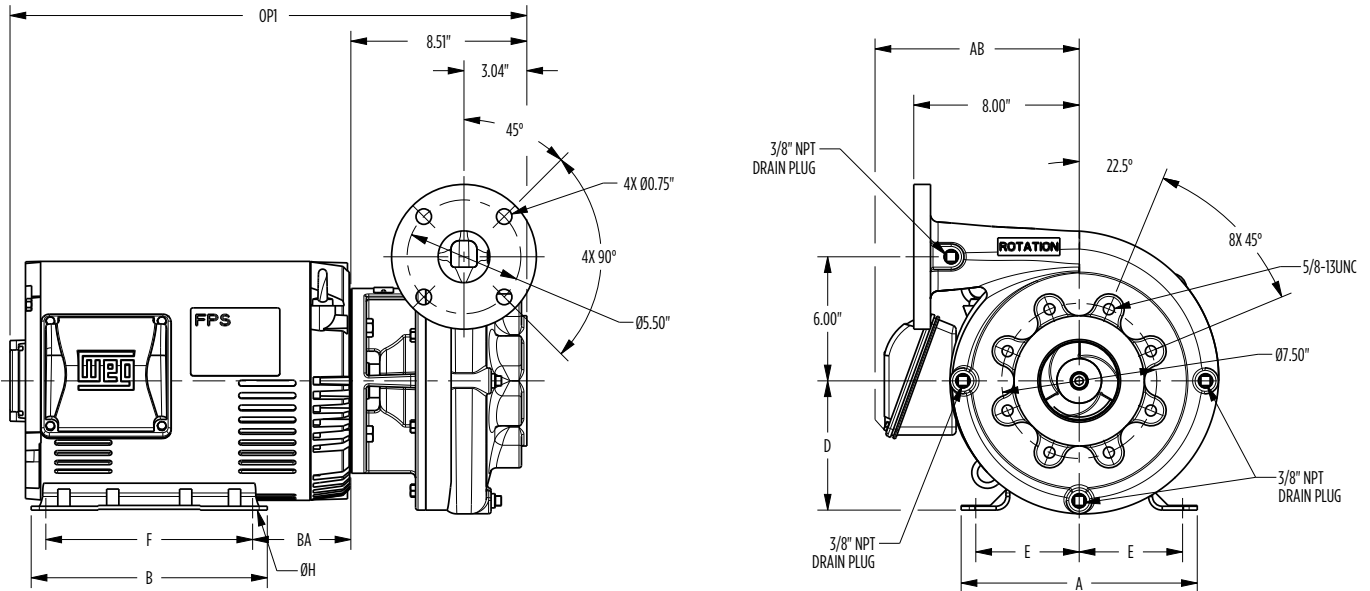
CLOSE-COUPLED AG SERIES

☰ MENU



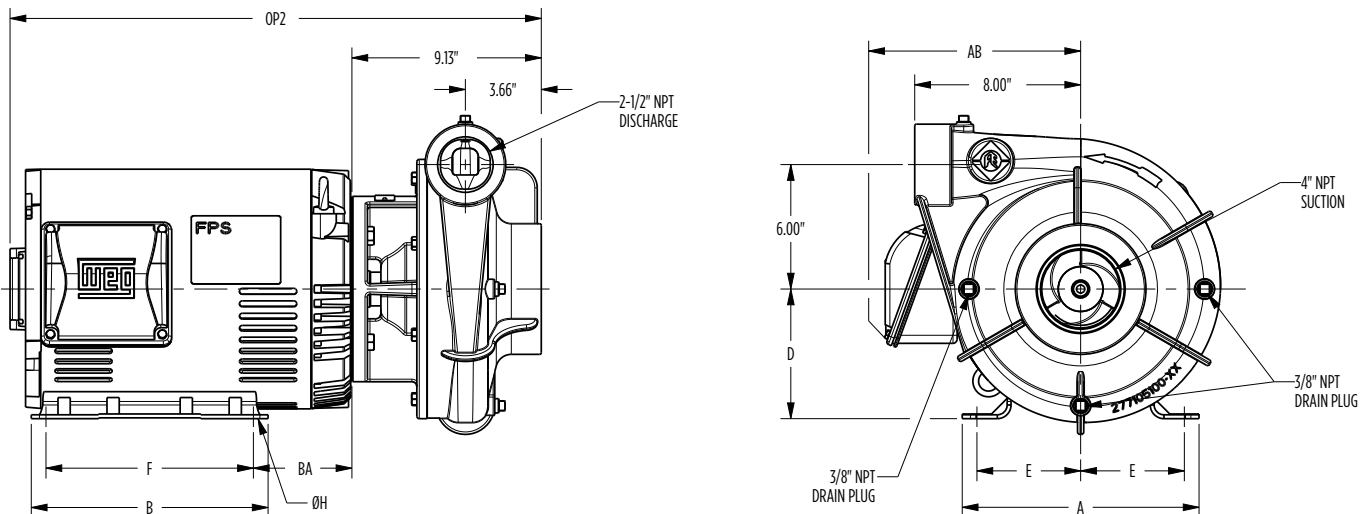
DIMENSIONS

A2.5 X 4 - 10 JM FLANGED - FIG. 1



DIMENSIONS

A2.5 X 4 - 10 JM THREADED - FIG. 2



Enclosure	AK Fit	HP	Phase	Dimensions (in)									
				A	B	D	E	F	ØH	AB	BA	Fig. 1 Flanged	Fig. 2 Threaded
													OP1
ODP	8.5	20	3	12.13	10.10	6.25	5.00	8.25	0.53	10.08	4.50	24.19	24.81
		25		11.42	11.42	6.25	5.00	10.00	0.53	9.45	4.75	23.99	24.61
TEFC		20		12.13	11.73	6.25	5.00	10.00	0.53	10.48	4.25	28.12	28.74
		25		13.78	11.58	7.00	5.50	9.50	0.53	11.07	4.75	29.19	29.81

CENTRIFUGAL PUMPS

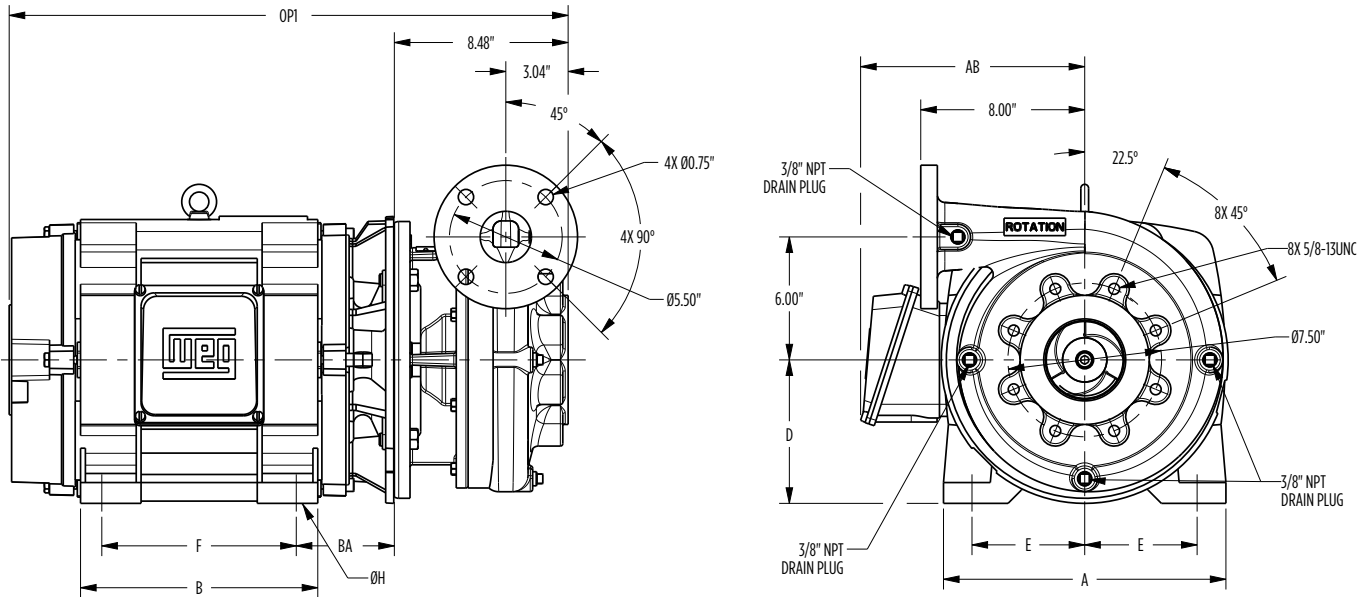
CLOSE-COUPLED AG SERIES



☰ MENU

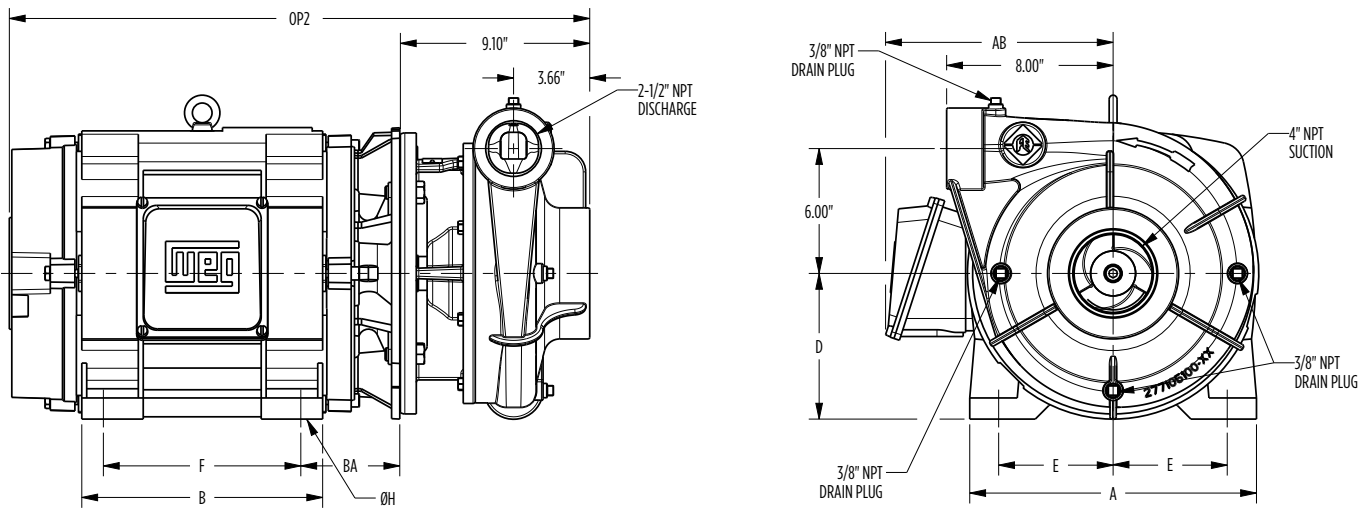
DIMENSIONS

A2.5 X 4 - 10 JM FLANGED - FIG. 1



DIMENSIONS

A2.5 X 4 - 10 JM THREADED - FIG. 2



Enclosure	AK Fit	HP	Phase	Dimensions (in)									
				A	B	D	E	F	ØH	AB	BA	Fig. 1 Flanged	Fig. 2 Threaded
													OP1
ODP	12.5	30	3	13.78	11.57	7.00	5.50	9.50	0.53	10.87	5.00	26.28	26.90
		40		13.78	13.07	7.00	5.50	11.00	0.53	10.87	5.00	27.77	28.39
30		13.78		13.07	7.00	5.50	11.00	0.53	11.07	4.75	30.72	31.34	
40		15.16		13.07	8.00	6.25	10.50	0.66	12.58	5.25	30.17	30.79	

CENTRIFUGAL PUMPS

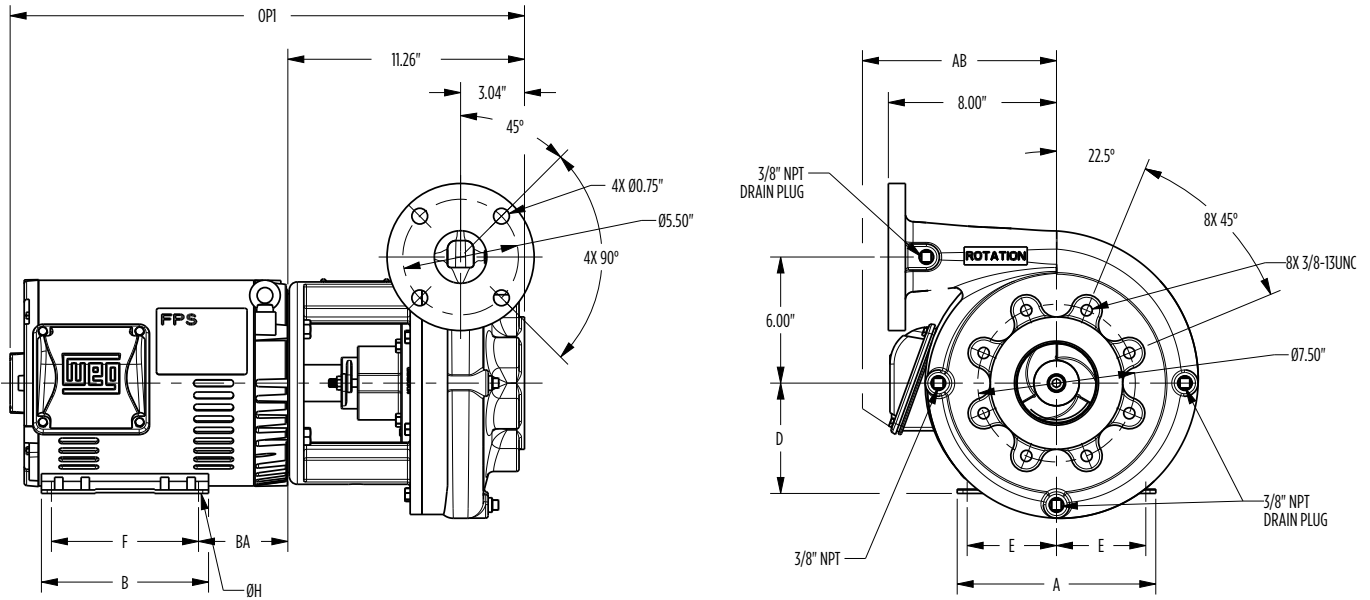
CLOSE-COUPLED AG SERIES



☰ MENU

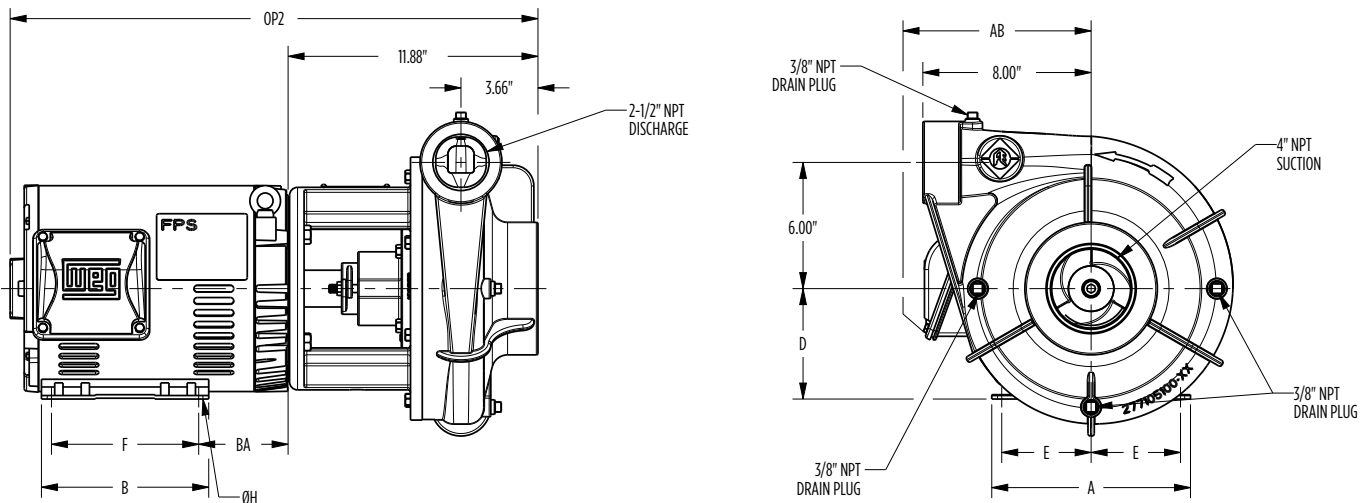
DIMENSIONS

A2.5 X 4 - 10 JP FLANGED - FIG. 1



DIMENSIONS

A2.5 X 4 - 10 JP THREADED - FIG. 2



Enclosure	AK Fit	HP	Phase	Dimensions (in)									
				A	B	D	E	F	ØH	AB	BA	Fig. 1 Flanged	Fig. 2 Threaded
												OP1	OP2
ODP	8.5	20	3	11.42	11.42	6.25	5.00	10.00	0.53	9.45	4.75	27.72	28.34
		25		11.42	11.42	6.25	5.00	10.00	0.53	9.45	4.75	27.73	28.35
15		12.13		10.00	6.25	5.00	8.25	0.53	10.48	4.25	29.84	30.46	
20		12.13		11.73	6.25	5.00	10.00	0.53	10.48	4.25	31.62	32.24	
TEFC		25		13.78	11.58	7.00	5.50	9.50	0.53	11.07	4.75	32.96	22.64

CENTRIFUGAL PUMPS

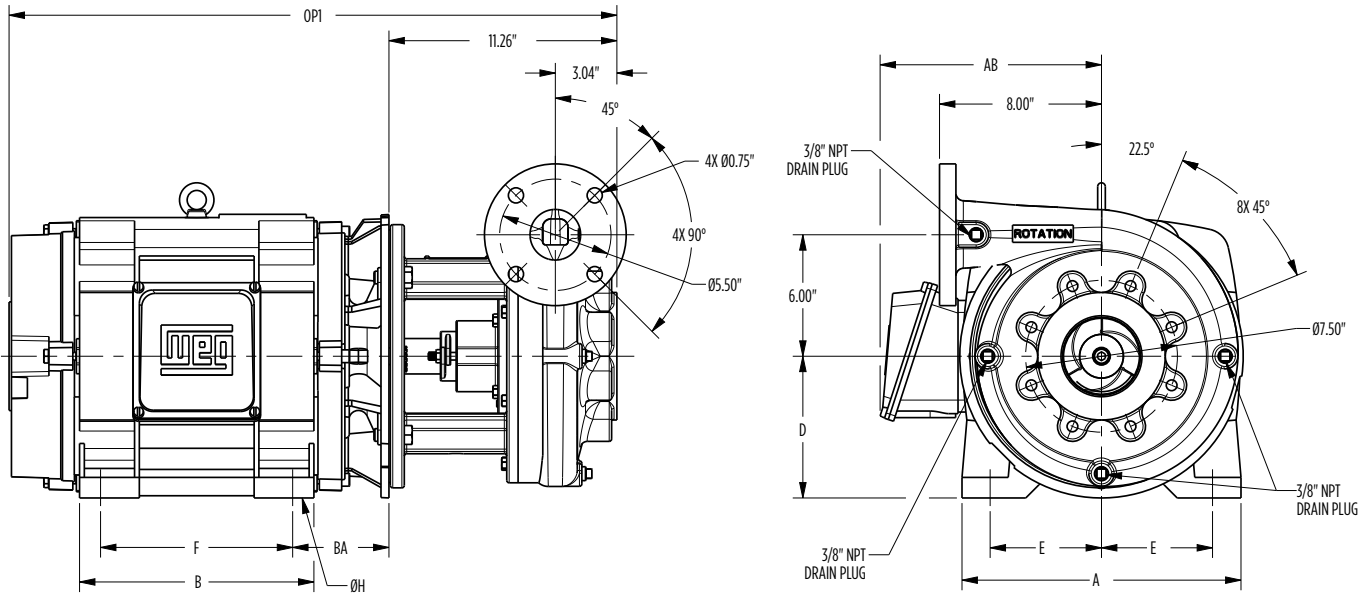
CLOSE-COUPLED AG SERIES

☰ MENU



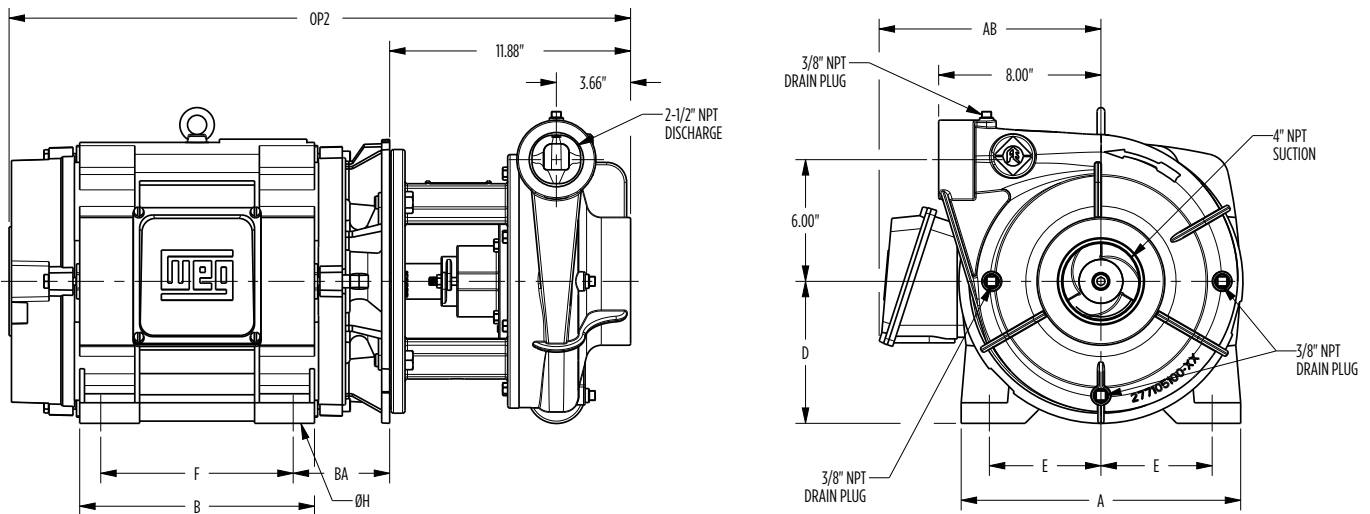
DIMENSIONS

A2.5 X 4 - 10 JP FLANGED - FIG. 1



DIMENSIONS

A2.5 X 4 - 10 JP THREADED - FIG. 2



Enclosure	AK Fit	HP	Phase	Dimensions (in)									
				A	B	D	E	F	ØH	AB	BA	Fig. 1 Flanged	Fig. 2 Threaded
												OP1	OP2
ODP	12.5	30	3	13.78	11.57	7.00	5.50	9.50	0.53	10.87	5.00	30.02	30.64
		40		13.78	13.07	7.00	5.50	11.00	0.53	10.87	5.00	31.51	32.13
TEFC		30		13.78	13.07	7.00	5.50	11.00	0.53	11.07	4.75	34.46	35.08
		40		15.16	13.07	8.00	6.25	10.50	0.66	12.76	5.25	35.41	36.03

CENTRIFUGAL PUMPS

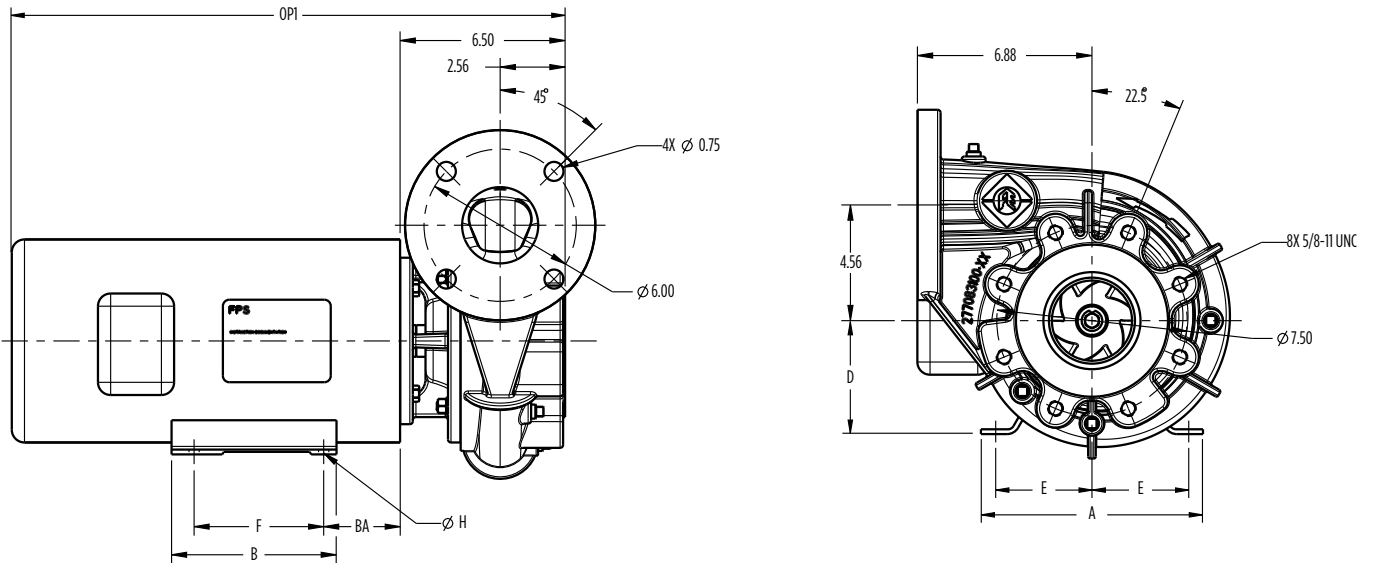
CLOSE-COUPLED AG SERIES

☰ MENU



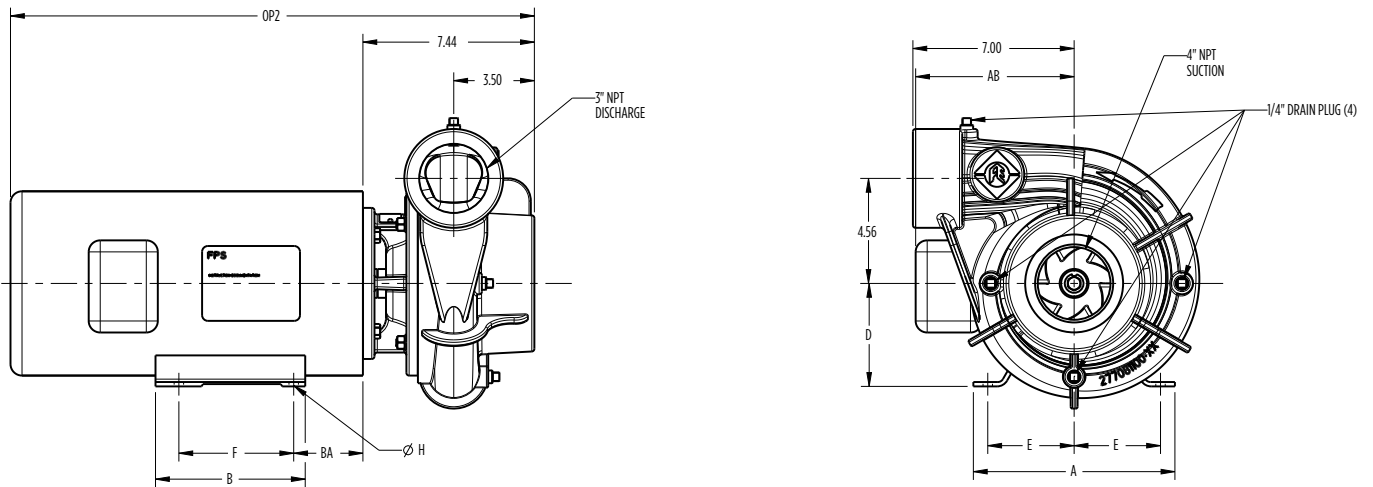
DIMENSIONS

A3 X 4 - 6 JM FLANGED - FIG. 1



DIMENSIONS

A3 X 4 - 6 JM THREADED - FIG. 2



Enclosure	AK Fit	HP	Phase	Dimensions (in)									
				A	B	D	E	F	ØH	AB	BA	Fig. 1 Flanged	Fig. 2 Threaded
												OP1	OP2
ODP	4.5	7.5	3	8.66	6.30	4.50	3.75	5.50	0.41	6.57	2.75	17.56	18.50
TEFC				8.66	6.97	4.50	3.75	5.50	0.41	7.56	2.76	19.26	20.20

NOTE: AB dimension refers to the motor junction box.

CENTRIFUGAL PUMPS

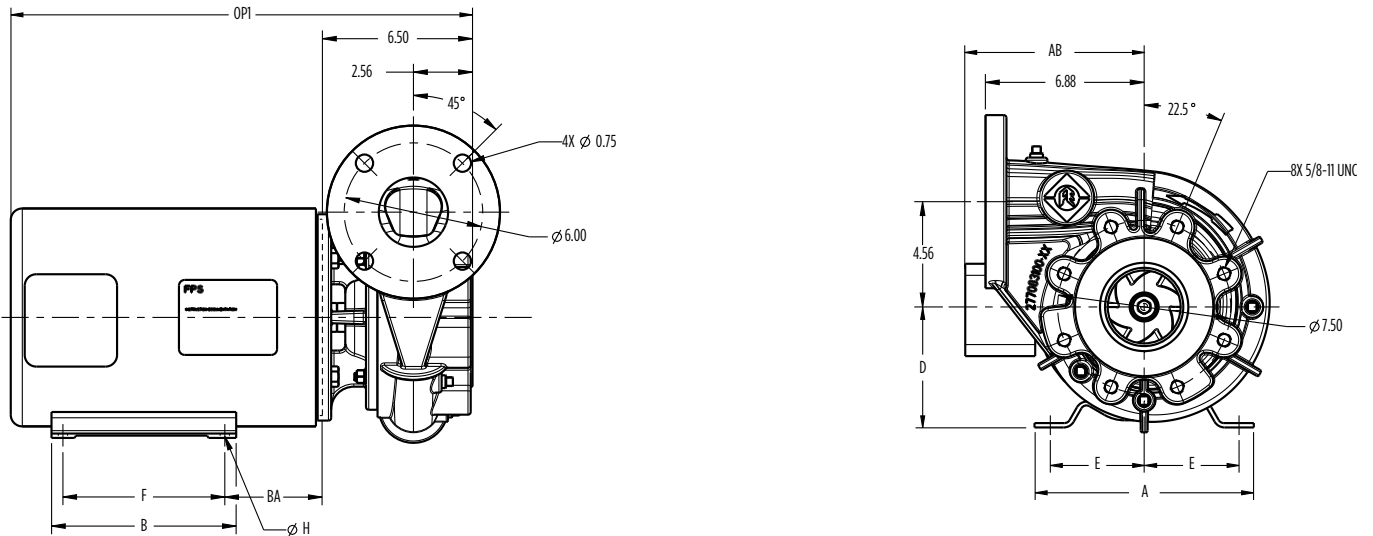
CLOSE-COUPLED AG SERIES

☰ MENU



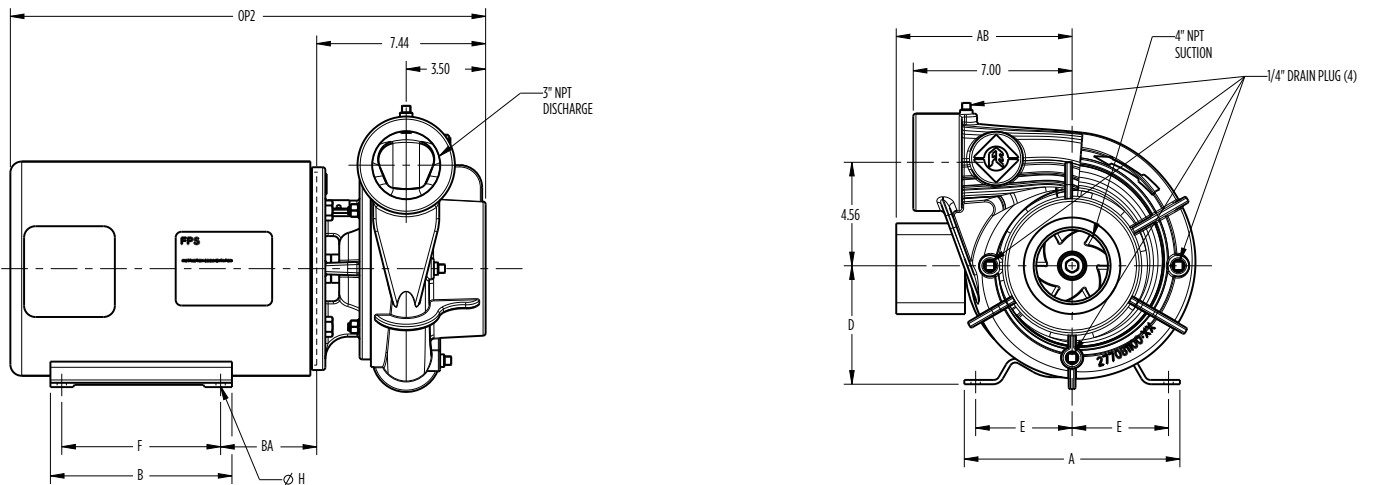
DIMENSIONS

A3 X 4 - 6 JM FLANGED - FIG. 1



DIMENSIONS

A3 X 4 - 6 JM THREADED - FIG. 2



Enclosure	AK Fit	HP	Phase	Dimensions (in)										
				A	B	D	E	F	ØH	AB	BA	Fig. 1 Flanged	Fig. 2 Threaded	
												OP1	OP2	
ODP	8.5	7.5	1	9.45	7.95	5.25	4.25	7.00	0.41	7.46	3.50	22.74	23.68	
			1	9.45	7.95	5.25	4.25	7.00	0.41	7.80	3.50	20.91	21.85	
			3	9.45	7.95	5.25	4.25	7.00	0.41	8.15	3.50	20.57	21.51	
TEFC		8.5	7.5	1	9.45	7.95	5.25	4.25	7.00	0.41	7.46	3.50	22.74	23.68
				1	9.76	8.86	5.25	4.25	7.00	0.41	8.07	3.50	22.64	23.58
				3	9.76	8.86	5.25	4.25	7.00	0.41	8.58	3.50	22.42	23.36
TEFC	8.5		15	3	9.76	8.86	5.25	4.25	7.00	0.41	8.58	3.50	22.42	23.36

CENTRIFUGAL PUMPS

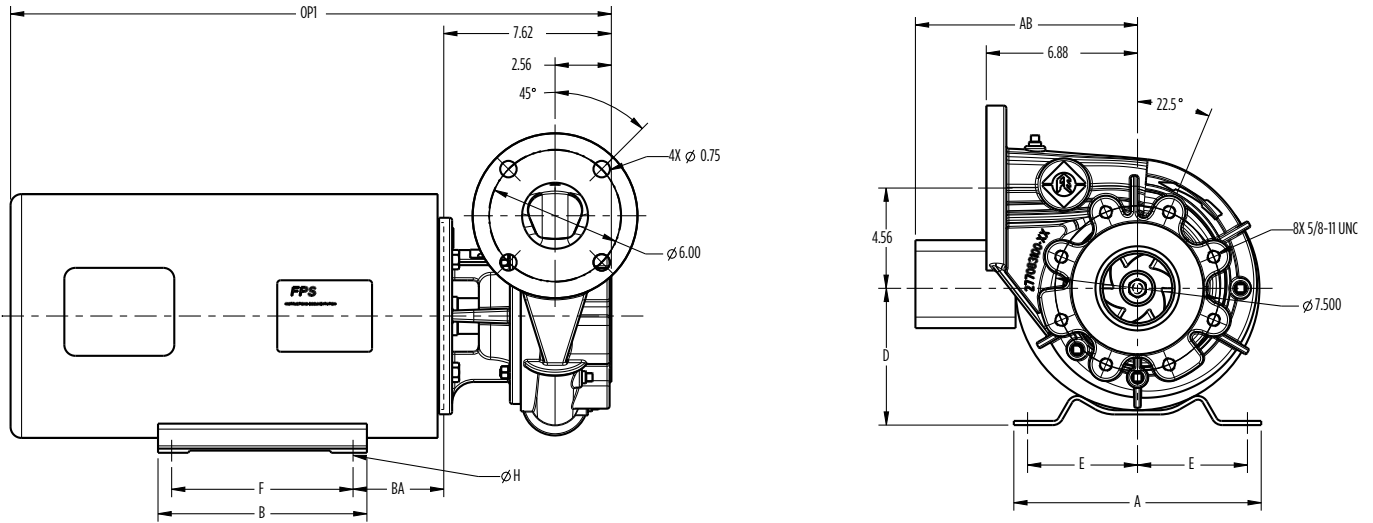
CLOSE-COUPLED AG SERIES

MENU



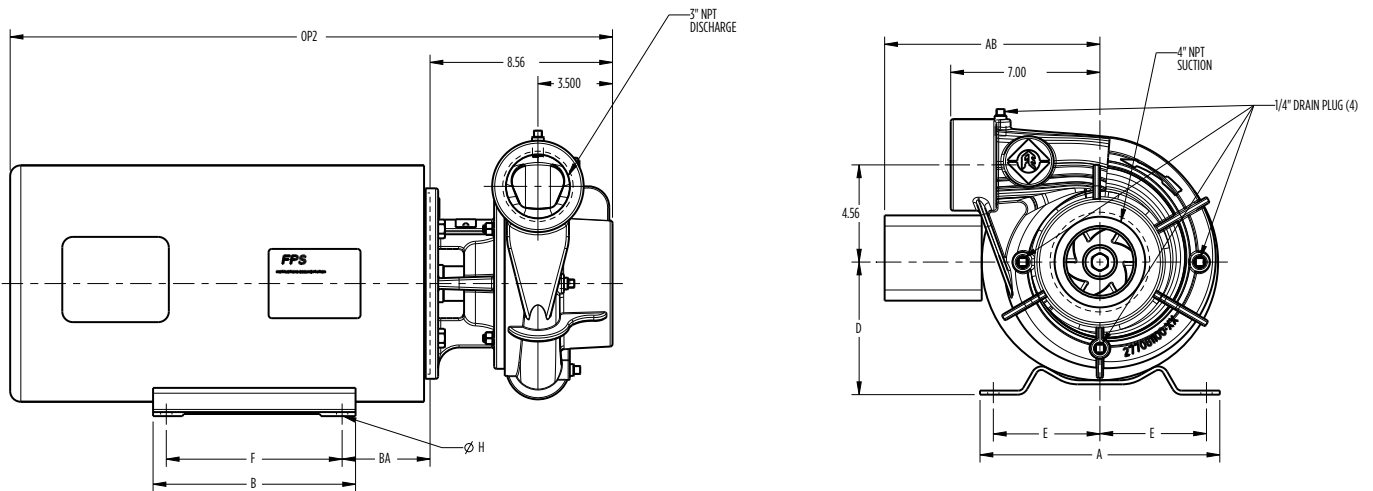
DIMENSIONS

A3 X 4 - 6 JM FLANGED - FIG. 1



DIMENSIONS

A3 X 4 - 6 JM THREADED - FIG. 2



Enclosure	AK Fit	HP	Phase	Dimensions (in)									
				A	B	D	E	F	ØH	AB	BA	Fig. 1 Flanged	Fig. 2 Threaded
												OP1	OP2
ODP	8.5	20	3	12.13	10.10	6.22	5.00	8.25	0.53	9.45	4.50	24.54	25.48
TEFC				12.13	10.00	6.25	5.00	8.25	0.53	10.39	4.25	26.74	27.68

CENTRIFUGAL PUMPS

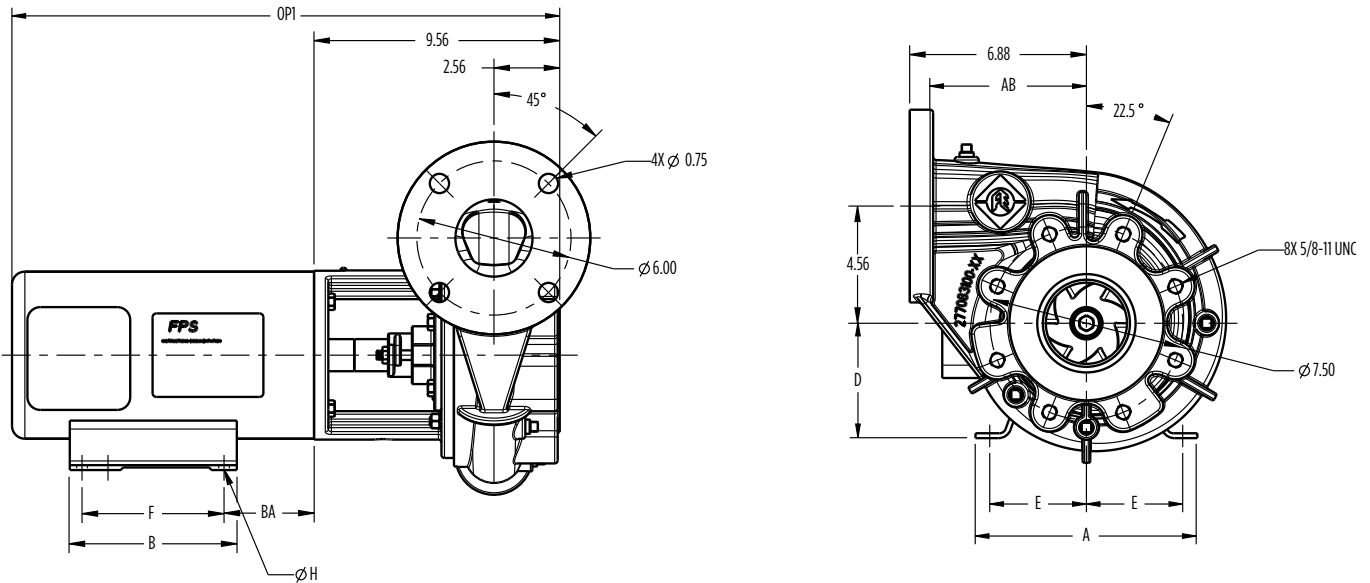
CLOSE-COUPLED AG SERIES



MENU

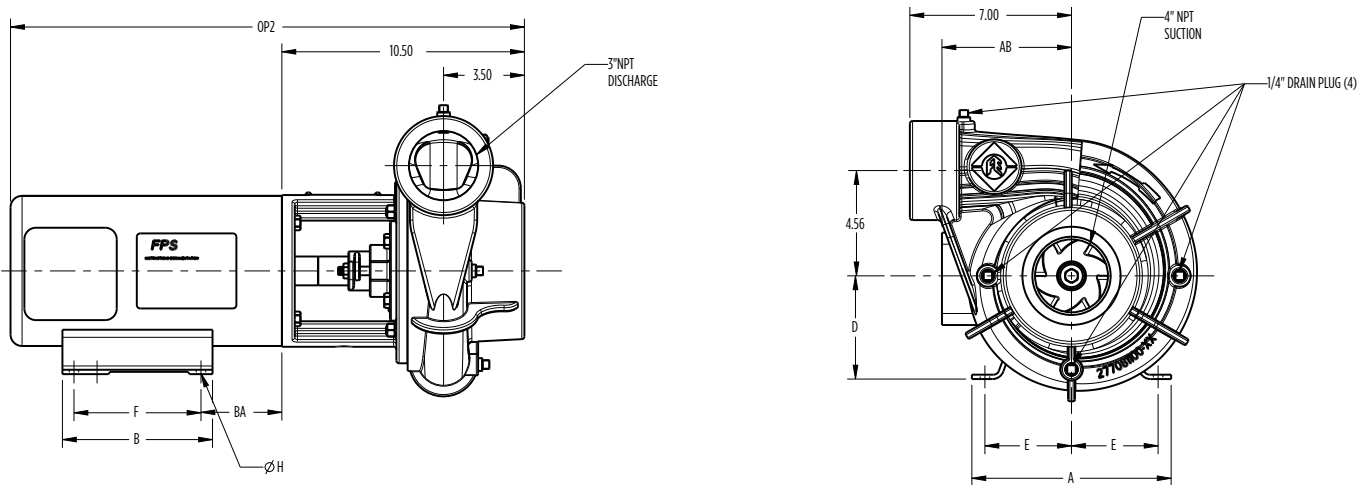
DIMENSIONS

A3 X 4 - 6 JP FLANGED - FIG. 1



DIMENSIONS

A3 X 4 - 6 JP THREADED - FIG. 2



Enclosure	AK Fit	HP	Phase	Dimensions (in)									
				A	B	D	E	F	ØH	AB	BA	Fig. 1 Flanged	Fig. 2 Threaded
												OP1	OP2
ODP	4.5	7.5	3	8.66	6.30	4.50	3.75	5.50	0.41	6.57	2.75	23.26	24.20
TEFC				8.66	6.97	4.50	3.75	5.50	0.41	7.56	2.76	22.32	23.26

CENTRIFUGAL PUMPS

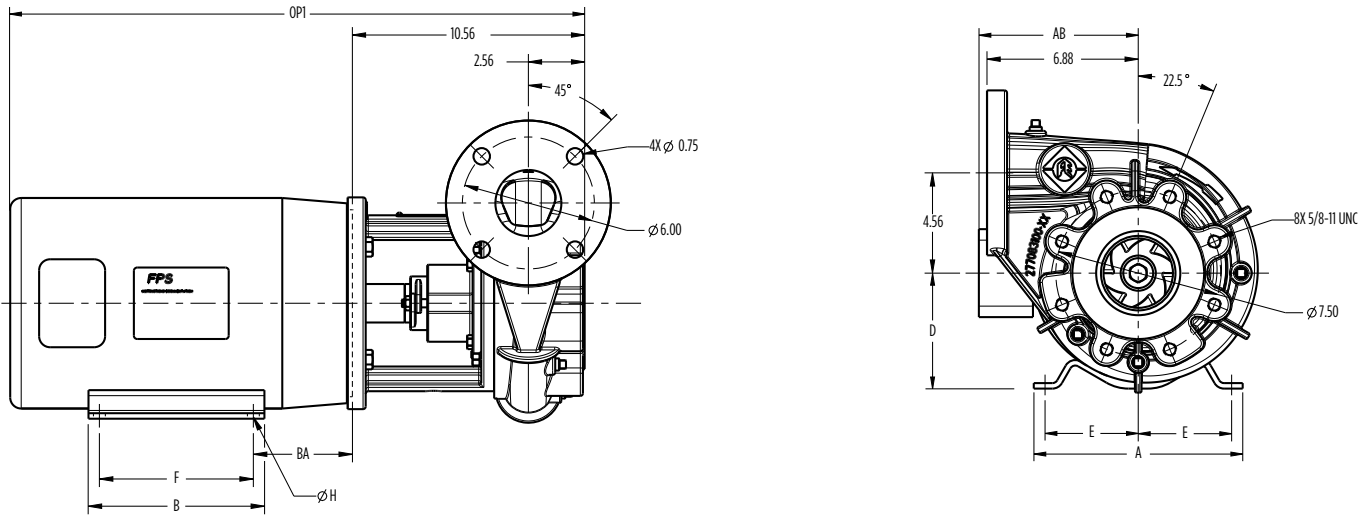
CLOSE-COUPLED AG SERIES

☰ MENU



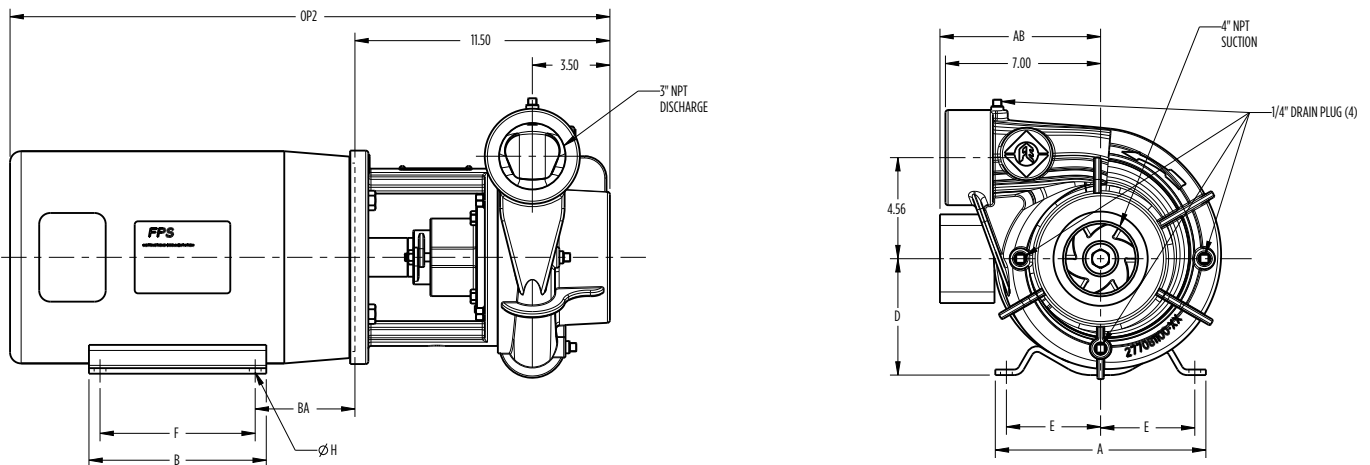
DIMENSIONS

A3 X 4 - 6 JP FLANGED - FIG. 1



DIMENSIONS

A3 X 4 - 6 JP THREADED - FIG. 2



Enclosure	AK Fit	HP	Phase	Dimensions (in)										
				A	B	D	E	F	ØH	AB	BA	Fig. 1 Flanged	Fig. 2 Threaded	
												OP1	OP2	
ODP	8.5	7.5	1	9.45	7.95	5.25	4.25	7.00	0.41	7.46	3.50	26.80	27.74	
			10	9.45	7.95	5.25	4.25	7.00	0.41	7.80	4.50	24.97	25.91	
		10	3	9.45	7.95	5.25	4.25	7.00	0.41	8.15	3.50	23.65	24.59	
			15	3	9.45	7.95	5.25	4.25	7.00	0.41	8.15	3.50	23.65	24.59
			20	3	12.13	10.10	6.22	5.00	8.25	0.53	9.45	4.50	27.48	28.42
TEFC	8.5	7.5	1	9.76	7.36	5.25	4.25	5.50	0.41	8.07	3.50	25.21	26.15	
			10	9.76	8.86	5.25	4.25	7.00	0.41	8.07	3.50	23.64	24.58	
		10	3	9.76	8.86	5.25	4.25	7.00	0.41	8.58	3.50	26.48	27.42	
			15	3	9.76	8.86	5.25	4.25	7.00	0.41	8.58	3.50	26.48	27.42
			20	3	12.13	10.00	6.25	5.00	8.25	0.53	10.39	4.25	29.39	30.33

CENTRIFUGAL PUMPS

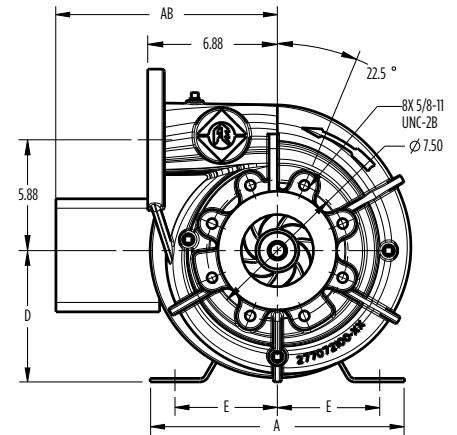
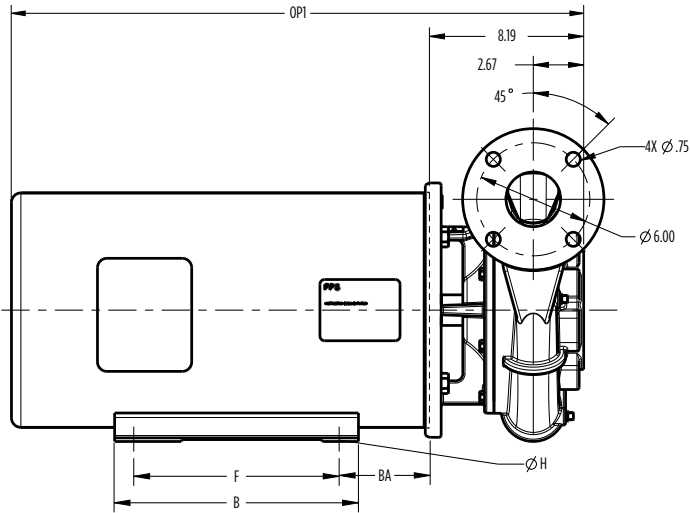
CLOSE-COUPLED AG SERIES

MENU



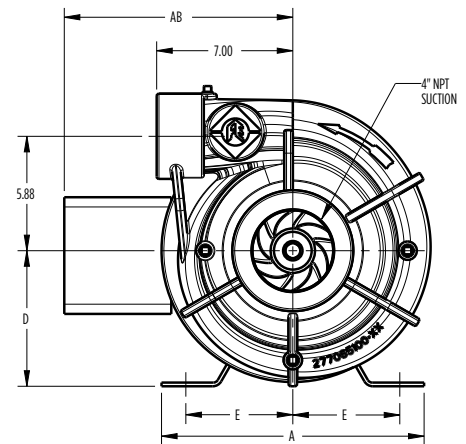
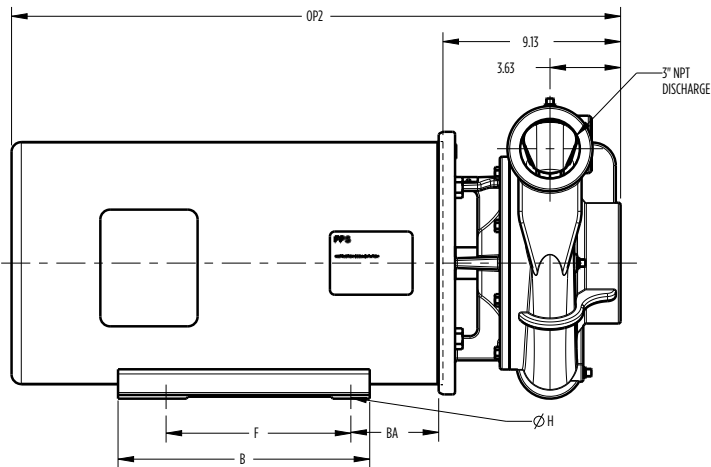
DIMENSIONS

A3 X 4 - 9 JM FLANGED - FIG. 1



DIMENSIONS

A3 X 4 - 9 JM THREADED - FIG. 2



Enclosure	AK Fit	HP	Phase	Dimensions (in)									
				A	B	D	E	F	ØH	AB	BA	Fig. 1 Flanged	Fig. 2 Threaded
													OP1
ODP	12.5	30	3	13.78	11.57	7.00	5.50	9.50	0.53	10.87	5.00	27.42	28.36
		40		13.78	13.07	7.00	5.50	11.00	0.53	10.87	5.00	28.91	29.85
		50		15.16	13.07	8.00	6.25	10.50	0.66	11.50	5.50	29.59	30.53
		60		15.16	14.57	8.00	6.25	12.00	0.66	11.50	5.50	31.09	32.03
		75		17.17	15.40	9.00	7.00	12.25	0.66	16.38	5.88	32.30	33.24
TEFC	12.5	30	3	13.78	11.57	7.00	5.50	9.50	0.53	10.98	4.75	30.11	31.05
		40		13.78	13.07	7.00	5.50	11.00	0.53	10.98	4.75	31.64	32.58
		50		15.16	13.07	8.00	6.25	10.50	0.66	12.48	5.25	31.09	32.03
		60		15.16	14.57	8.00	6.25	12.00	0.66	12.48	5.25	32.59	33.53
		75		17.17	16.22	9.00	7.00	12.25	0.66	16.38	5.88	28.72	29.66

CENTRIFUGAL PUMPS

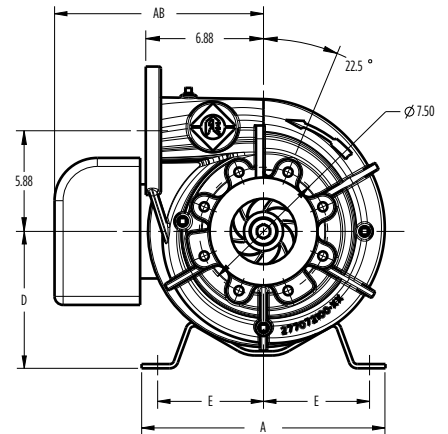
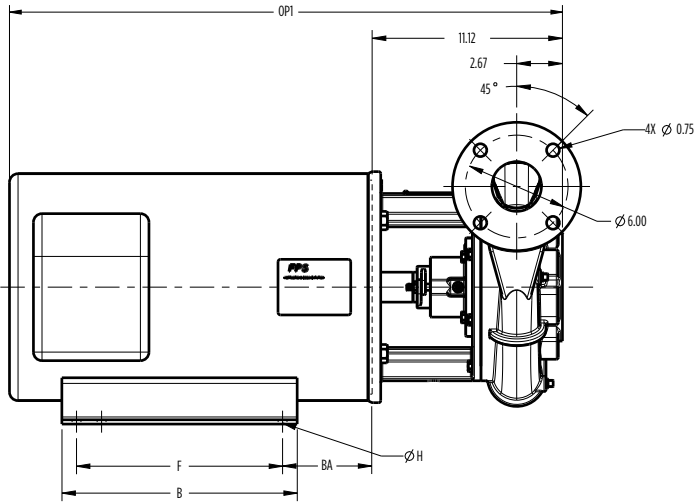
CLOSE-COUPLED AG SERIES

MENU



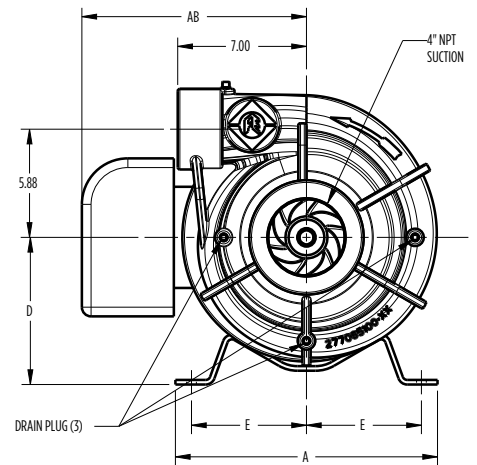
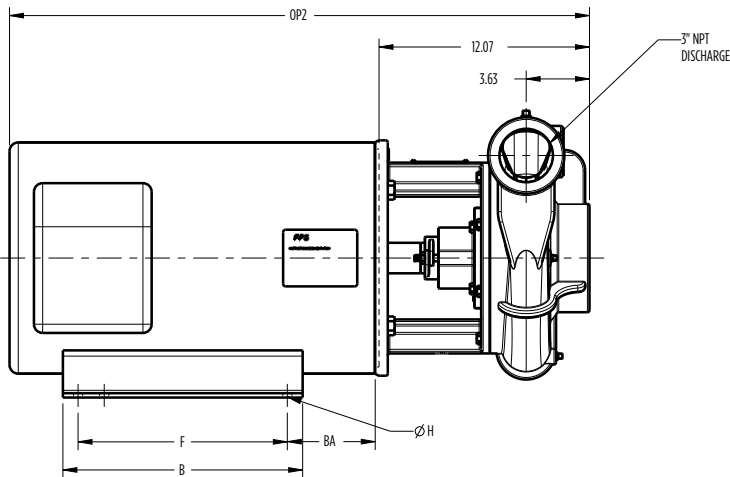
DIMENSIONS

A3 X 4 - 9 JP FLANGED - FIG. 1



DIMENSIONS

A3 X 4 - 9 JP THREADED - FIG. 2



Enclosure	AK Fit	HP	Phase	Dimensions (in)									
				A	B	D	E	F	ØH	AB	BA	Fig. 1 Flanged	Fig. 2 Threaded
												OP1	OP2
ODP	12.5	30	3	13.78	11.57	7.00	5.50	9.50	0.53	10.87	5.00	30.36	31.30
		40		13.78	13.07	7.00	5.50	11.00	0.53	10.87	5.00	31.85	32.79
		50		15.16	13.07	8.00	6.25	10.50	0.66	11.50	5.50	32.53	33.47
		60		15.16	14.57	8.00	6.25	12.00	0.66	11.50	5.50	34.03	34.97
		75		17.17	15.40	9.00	7.00	12.25	0.66	16.38	5.88	35.24	36.18
TEFC	12.5	30	3	13.78	11.57	7.00	5.50	9.50	0.53	10.98	5.00	33.08	34.02
		40		13.78	13.07	7.00	5.50	11.00	0.53	10.98	5.00	34.58	35.52
		50		15.16	13.07	8.00	6.25	10.50	0.66	12.48	5.25	35.53	36.47
		60		15.16	14.57	8.00	6.25	12.00	0.66	12.48	5.25	37.02	37.96
		75		17.17	16.22	9.00	7.00	12.25	0.66	16.38	5.88	36.92	37.86

CENTRIFUGAL PUMPS

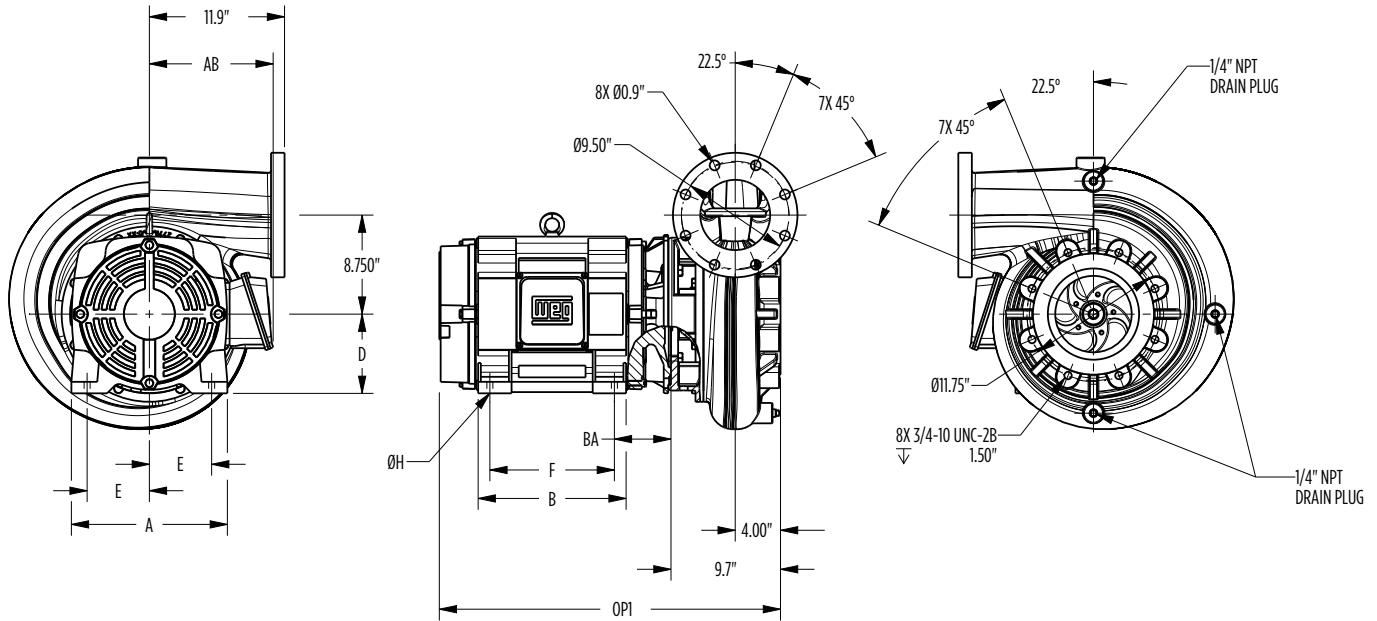
CLOSE-COUPLED AG SERIES

MENU



DIMENSIONS

A6 X 8 - 13 JM FLANGED - FIG. 1



Enclosure	AK Fit	HP	Phase	Dimensions (in)								
				A	B	D	E	F	ØH	AB	BA	Fig. 1 Flanged OP1
ODP	12.5	30	3	13.78	13.07	7.00	5.50	11.00	0.53	10.87	5.00	30.17
		40		15.16	13.07	8.00	6.25	10.50	0.66	11.50	5.50	30.85
		50		15.16	14.57	8.00	6.25	12.00	0.66	11.50	5.50	32.35
		60		17.17	15.40	9.00	7.00	12.25	0.66	16.38	5.88	36.38
		75		17.17	15.40	9.00	7.00	12.25	0.66	16.38	5.88	36.38
TEFC		30		13.78	13.07	7.00	5.50	11.00	0.53	11.07	4.75	33.12
		40		15.16	13.07	8.00	6.25	10.50	0.66	12.58	5.25	25.57
		50		15.16	14.57	8.00	6.25	12.00	0.66	12.76	5.25	34.07
		60		17.17	16.22	9.00	7.00	12.24	0.66	16.02	5.88	40.28
		75		17.17	16.22	9.00	7.00	12.24	0.66	16.02	5.88	40.28

CENTRIFUGAL PUMPS

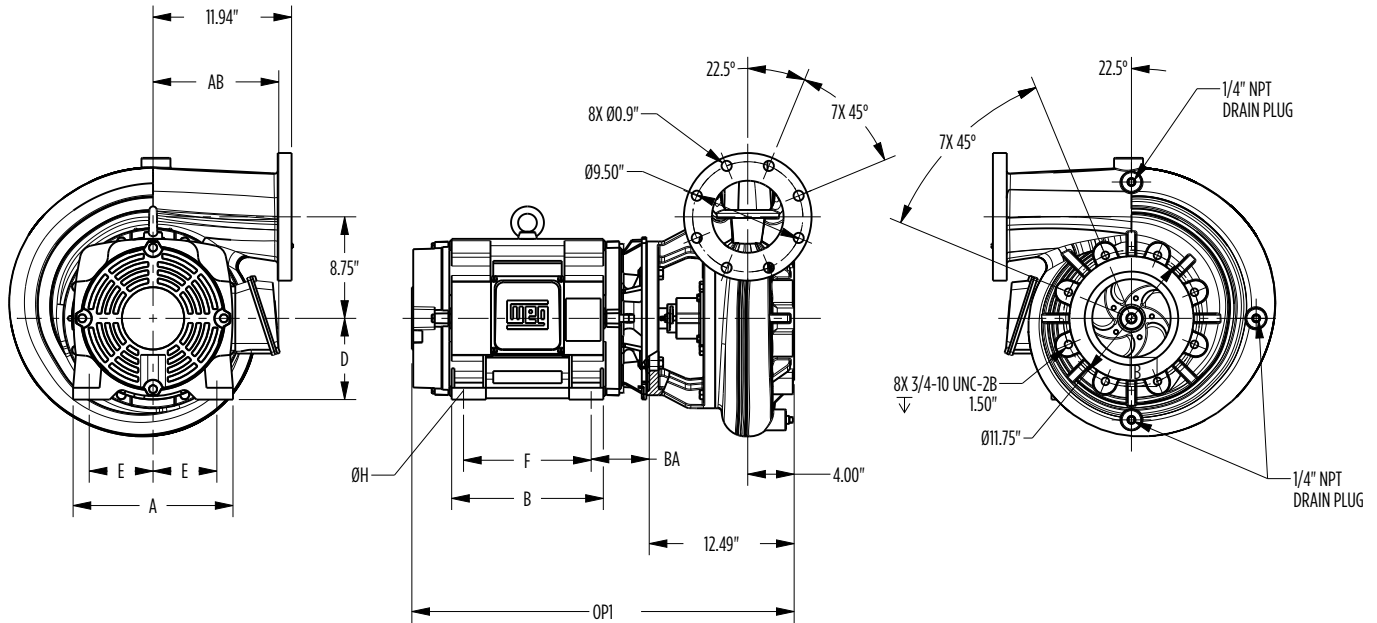
CLOSE-COUPLED AG SERIES

MENU



DIMENSIONS

A6 X 8 - 13 JP FLANGED - FIG. 1



Enclosure	AK Fit	HP	Phase	Dimensions (in)								
				A	B	D	E	F	ØH	AB	BA	Fig. 1 Flanged OP1
ODP	12.5	30	3	13.78	13.07	7.00	5.50	11.00	0.53	10.87	5.00	32.99
		40		15.16	13.07	8.00	6.25	10.50	0.66	11.50	5.50	33.67
		50		15.16	14.57	8.00	6.25	12.00	0.66	11.50	5.50	35.17
		60		17.17	15.40	9.00	7.00	12.25	0.66	16.38	5.88	36.38
		75		17.17	15.40	9.00	7.00	12.25	0.66	16.38	5.88	36.38
TEFC		30		13.78	13.07	7.00	5.50	11.00	0.53	11.07	4.75	35.93
		40		15.16	13.07	8.00	6.25	10.50	0.66	12.58	5.25	36.88
		50		15.16	14.57	8.00	6.25	12.00	0.66	12.76	5.25	38.38
		60		17.17	16.22	9.00	7.00	12.24	0.66	16.02	5.88	40.28
		75		17.17	16.22	9.00	7.00	12.24	0.66	16.02	5.88	40.28

CENTRIFUGAL PUMPS

CLOSE-COUPLED AG SERIES

☰ MENU



MOTOR SPECIFICATIONS

STANDARD EFFICIENCY

Efficiency	Sealing	Enclosure	Speed	HP	Phase	Voltage	SF Rating	Frame	AK Fit	Shaft Size	FLA	SFA	Order No.	Wt. (lbs)
STD	Mechanical	ODP	3600 RPM	3	1	208-230	1.25	182JM	4.5	7/8	16.6-15.0	20.8-18.8	104219000	86
				3	3	208-230/460	1.15	145JM			8.00-7.30/3.65	9.2-8.4/4.2	104219001	46
				5	1	208-230	1.25	184JM			21.2-19.3	26.5-24.1	104219002	112
				5	3	208-230/460	1.15	182JM			13.6-12.3/6.17	15.6-14.1/7.1	104219003	88
				7.5	3	208-230/460	1.15	184JM			19.8-17.9/8.97	22.8-20.6/10.3	104219005	60
				7.5	1	208-230	1.15	215JM			32.0-30.8	36.8-35.4	104219004	121
				10	1	208-230	1.15	215JM	45-42	51.8-48.3	104219006	121		
				10	3	208-230/460	1.15	213JM	27.0-24.4/12.2	31.1-28.1/14.0	104219007	113		
				15	3	208-230/460	1.15	215JM	38.7-35.0/17.5	44.5-40.3/20.1	104219008	130		
				20	3	208-230/460	1.15	254JM	53.7-48.6/24.3	61.8-55.9/27.9	104219009	179		
				30	3	208-230/460	1.15	284JM	76.3-69.0/34.5	87.7-79.4/39.7	104219011	333		
				40	3	208-230/460	1.15	286JM	102-92.2/46.1	117.3-106/53	104219012	417		
				50	3	208-230/460	1.15	324JM	129-117/58.4	148.4-134.6/67.2	104219013	478		
				60	3	208-230/460	1.15	326JM	156-141/70.6	179.4-162.2/81.2	104219014	564		
	75	3	208-230/460	1.15	364JM	180-169/84.3	207-194.4/96.9	104219015	695					
	3	1	208-230	1.25	182JP	12.3-11.7	15.4-14.6	104217000	86					
	3	3	208-230/460	1.15	145JP	8.00-7.30/3.65	9.2-8.4/4.2	104217001	46					
	5	1	208-230	1.25	184JP	21.2-19.3	26.5-24.1	104217002	112					
	5	3	208-230/460	1.15	182JP	13.6-12.3/6.17	15.6-14.1/7.1	104217003	48					
	7.5	3	208-230/460	1.15	184JP	19.8-17.9/8.97	22.8-20.6/10.3	104217005	60					
	7.5	1	208-230	1.15	215JP	32.0-30.8	36.8-35.4	104217004	121					
	10	1	208-230	1.15	215JP	45-42	51.8-48.3	104217006	121					
	10	3	208-230/460	1.15	215JP	27.0-24.4/12.2	31.1-28.1/14.0	104217007	95					
	15	3	208-230/460	1.15	215JP	38.7-35.0/17.5	44.5-40.3/20.1	104217008	134					
	20	3	208-230/460	1.15	254JP	53.7-48.6/24.3	61.8-55.9/27.9	104217009	179					
	30	3	208-230/460	1.15	284JP	76.3-69.0/34.5	87.7-79.4/39.7	104217011	333					
	40	3	208-230/460	1.15	286JP	102-92.2/46.1	117.3-106/53	104217012	417					
	50	3	208-230/460	1.15	324JP	129-117/58.4	148.4-134.6/67.2	104217013	478					
60	3	208-230/460	1.15	326JP	156-141/70.6	179.4-162.2/81.2	104217014	564						
75	3	208-230/460	1.15	364JP	180-169/84.3	207-194.4/96.9	104217015	695						

NOTES: JM frame motors used with mechanical seal-style pumps. JP frame motors used with packed box-style pumps. All three-phase motors listed on this page are suitable for VFD operation. Every attempt has been made to provide the most current and accurate information possible at the time of print. It is essential for the installing contractor to confirm motor nameplate data before installation.

CENTRIFUGAL PUMPS

CLOSE-COUPLED AG SERIES

☰ MENU



MOTOR SPECIFICATIONS

STANDARD EFFICIENCY

Efficiency	Sealing	Enclosure	Speed	HP	Phase	Voltage	SF Rating	Frame	AK Fit	Shaft Size	FLA	SFA	Order No.	Wt. (lbs)
STD	Mechanical	TEFC	3600 RPM	3	1	208-230	1.15	182JM	4.5	7/8	14.0-13.0	16.1-15	104220000	62
				3	3	208-230/460	1.15	145JM			8.16-7.52/3.76	9.4-8.6/4.3	104220001	52
				5	1	208-230	1.15	184JM			23.0-21.9	26.5-25.2	104220002	92
				5	3	208-230/460	1.25	182JM			13.0-11.8/5.90	16.3-14.8/7.4	104220003	88
				7.5	3	208-230/460	1.15	184JM			18.8-17.0/8.48	21.6-19.6/9.8	104220005	93
				7.5	1	208-230	1.15	215JM			33.4-29.8	38.4-34.3	104220004	143
				10	1	208-230	1.15	215JM	43.2-38.8	49.7-44.6	104220006	155		
				10	3	208-230/460	1.25	213JM	26.1-23.6/11.8	32.6-29.5/14.8	104220007	143		
				15	3	208-230/460	1.15	215JM	37.2-33.6/16.8	42.8-38.6/19.3	104220008	163		
				20	3	208-230/460	1.25	254JM	51.3-47.4/23.7	64.1-59.3/29.6	104220009	265		
				30	3	208-230/460	1.25	284JM	74.5-67.4/33.7	93.1-84.3/42.1	104220011	375		
				40	3	208-230/460	1.15	286JM	101-91.2/45.6	116.2-104.9/52.4	104220012	410		
				50	3	208-230/460	1.25	324JM	125-113/56.5	156.3-141.3/70.6	104220013	549		
				60	3	208-230/460	1.15	326JM	153-138/69	176-158.7/79.4	104220014	584		
	75	3	208-230/460	1.25	364JM	182-165/82.5	227.5-206.3/103.1	104220015	847					
	3	1	208-230	1.15	182JP	14.0-13.0	16.1-15	104218000	53					
	3	3	208-230/460	1.25	145JP	8.16-7.52/3.76	10.2-9.4/4.7	104218001	52					
	5	1	208-230	1.15	184JP	22.5-20.0	25.9-23	104218002	106					
	5	3	208-230/460	1.25	182JP	13.0-11.8/5.90	16.3-14.8/7.4	104218003	88					
	7.5	3	208-230/460	1.25	184JP	18.8-17.0/8.48	23.5-21.3/10.6	104218005	93					
	7.5	1	208-230	1.15	215JP	33.4-29.8	38.4-34.3	104218004	143					
	10	1	208-230	1.15	215JP	43.2-38.8	49.7-44.6	104218006	155					
	10	3	208-230/460	1.25	215JP	26.1-23.6/11.8	32.6-29.5/14.8	104218007	143					
	15	3	208-230/460	1.25	215JP	37.2-33.6/16.8	46.5-42.0/21.0	104218008	163					
	20	3	208-230/460	1.25	254JP	51.3-47.4/23.7	64.1-59.3/29.6	104218009	265					
	30	3	208-230/460	1.25	284JP	74.5-67.4/33.7	93.1-84.3/42.1	104218011	375					
	40	3	208-230/460	1.25	286JP	101-91.2/45.6	126.3-114/57	104218012	410					
	50	3	208-230/460	1.25	324JP	125-113/56.5	156.3-141.3/70.6	104218013	549					
60	3	208-230/460	1.25	326JP	153-138/69	191.3-172.5/86.3	104218014	584						
75	3	208-230/460	1.25	364JP	182-165/82.5	227.5-206.3/103.1	104218015	847						

NOTES: JM frame motors used with mechanical seal-style pumps. JP frame motors used with packed box-style pumps. All three-phase motors listed on this page are suitable for VFD operation. Every attempt has been made to provide the most current and accurate information possible at the time of print. It is essential for the installing contractor to confirm motor nameplate data before installation.

CENTRIFUGAL PUMPS

CLOSE-COUPLED AG SERIES

☰ MENU



MOTOR SPECIFICATIONS				PREMIUM EFFICIENCY										
Efficiency	Sealing	Enclosure	Speed	HP	Phase	Voltage	SF Rating	Frame	AK Fit	Shaft Size	FLA	SFA	Order No.	Wt. (lbs)
PREM	Mechanical	ODP	3600 RPM	3	3	208-230/460	1.15	145JM	4.5	7/8	7.80-7.00/3.50	8.97-8.05/4.03	104236002	46
						575		145JM			2.87	3.3	104223001	40
						208-230/460		182JM			13.6-12.3/6.17	15.64-14.15/7.1	104236004	48
						575		182JM			4.88	5.61	104223002	59
						208-230/460		184JM			19.2-17.3/8.67	22.08-19.9/9.97	104236006	70
						575		184JM			6.94	7.98	104223003	70
						208-230/460		213JM			26.2-23.7/11.9	30.13-27.26/13.69	104236008	121
						575		213JM			9.6	11.04	104223004	117
						208-230/460		215JM			38.0-34.4/17.2	43.7-39.56/19.78	104236009	131
						575		215JM			13.8	15.87	104223005	131
						208-230/460		254JM			54.4-49.2/24.6	62.56-56.58/28.29	104236010	179
						575		254JM			19	21.85	104223006	151
						208-230/460		256JM			64.4-58.2/29.1	74.06-66.93/33.47	104236011	174
						575		256JM			23.3	26.8	104223007	174
						208-230/460		284JM			76.7-69.4/34.7	88.21-79.81/39.91	104236012	333
						575		284JM			27.8	31.97	104223008	333
						208-230/460		286JM			104-94.2/47.1	119.6-108.33/54.17	104236013	417
						575		286JM			37.7	43.36	104223009	417
						575		324JM			47.3	54.4	104223010	496
						575		326JM			56.8	65.32	104223011	582
						575		364JM			65.2	74.98	104223012	695
	Packing	ODP	3600 RPM	3	3	208-230/460	1.15	145JP	4.5	7/8	7.94-7.18/3.59	9.13-8.26/4.13	104237002	40
						575		145JP			2.87	3.3	104221001	40
						208-230/460		182JP			13.5-12.2/6.10	15.53-14.03/7.02	104237004	59
						575		182JP			4.88	5.61	104221002	59
						208-230/460		184JP			19.2-17.3/8.67	22.08-19.9/9.97	104237006	70
						575		184JP			6.94	7.98	104221003	70
						208-230/460		213JP			26.5-24.0/12.0	30.48-27.6/13.8	104237008	117
						575		213JP			9.6	11.04	104221004	117
						208-230/460		215JP			38.0-34.4/17.2	43.7-39.56/19.78	104237009	131
						575		215JP			13.8	15.87	104221005	131
						208-230/460		254JP			52.6-47.6/23.8	60.49-54.74/27.37	104237010	151
						575		254JP			19	21.85	104221006	151
						208-230/460		256JP			64.4-58.2/29.1	74.06-66.93/33.47	104237011	174
						575		256JP			23.3	26.8	104221007	174
						208-230/460		284JP			76.7-69.4/34.7	88.21-79.81/39.91	104237012	333
						575		284JP			27.8	31.97	104221008	333
						208-230/460		286JP			104-94.2/47.1	119.6-108.33/54.17	104237013	417
						575		286JP			37.7	43.36	104221009	417
						575		324JP			47.3	54.4	104221010	496
						575		286JP			56.8	65.32	104221011	582
						575		364JPZ			65.2	74.98	104221012	756

NOTES: JM frame motors used with mechanical seal-style pumps. JP frame motors used with packed box-style pumps. All three-phase motors listed on this page are suitable for VFD operation. Every attempt has been made to provide the most current and accurate information possible at the time of print. It is essential for the installing contractor to confirm motor nameplate data before installation.

CENTRIFUGAL PUMPS

CLOSE-COUPLED AG SERIES

☰ MENU



MOTOR SPECIFICATIONS				PREMIUM EFFICIENCY										
Efficiency	Sealing	Enclosure	Speed	HP	Phase	Voltage	SF Rating	Frame	AK Fit	Shaft Size	FLA	SFA	Order No.	Wt. (lbs)
PREM	Mechanical	TEFC	3600 RPM	3	3	208-230/460	1.25	182JM	4.5	7/8	8.01-7.26/3.63	10.01-9.08/4.54	104238002	88
						575		145JM			2.97	3.71	104224001	52
						208-230/460		184JM			13.1-11.8/5.90	16.38-14.75/7.38	104238004	88
						575		184JM			4.72	5.9	104224002	88
						208-230/460		213JM			19.4-17.5/8.76	24.25-21.88/10.95	104238006	139
						575		213JM			7.01	8.76	104224003	139
						208-230/460		215JM			25.7-23.2/11.6	32.13-29/14.5	104238008	163
						575		215JM			9.28	11.6	104224004	163
						208-230/460		215JM			37.6-34.0/17.0	47-42.5/21.25	104238009	163
						575		215JM			13.6	17	104224005	163
						208-230/460		256JM			51.3-46.4/23.2	64.13-58/29	104238010	269
						575		256JM			18.6	23.25	104224006	269
						208-230/460		284JM			63.0-57.0/28.5	78.75-71.25/35.63	104238011	362
						575		284JM			22.8	28.5	104224007	362
						208-230/460		286JM			74.8-67.6/33.8	93.5-84.5/42.25	104238012	392
						575		286JM			27	33.75	104224008	392
						208-230/460		324JM			101-91.6/45.8	126.25-114.5/57.25	104238013	547
						575		324JM			36.6	45.75	104224009	547
						575		326JM			44.9	56.13	104224010	584
						575		364JM			53.6	67	104224011	825
						575		365JM			65.5	81.88	104224012	847
	Packing	TEFC	3600 RPM	3	3	208-230/460	1.25	182JP	4.5	7/8	8.01-7.26/3.63	10.01-9.08/4.54	104239002	88
						575		182JP			2.9	3.63	104222001	88
						208-230/460		184JP			13.1-11.8/5.90	16.38-14.75/7.38	104239004	88
						575		184JP			4.72	5.9	104222002	88
						208-230/460		213JP			19.4-17.5/8.76	24.25-21.88/10.95	104239006	139
						575		213JP			7.01	8.76	104222003	139
						208-230/460		215JP			25.7-23.2/11.6	32.13-29/14.5	104239008	163
						575		215JP			9.28	11.6	104222004	163
						208-230/460		254JP			38.0-34.4/17.2	47.5-43/21.5	104239009	236
						575		254JP			13.8	17.25	104222005	236
						208-230/460		256JP			51.3-46.4/23.2	64.13-58/29	104239010	269
						575		256JP			18.6	23.25	104222006	269
						208-230/460		284JP			63.0-57.0/28.5	78.75-71.25/35.63	104239011	362
						575		284JP			22.8	28.5	104222007	362
						208-230/460		286JP			74.8-67.6/33.8	93.5-84.5/42.25	104239012	392
						575		286JP			27	33.75	104222008	392
						208-230/460		324JP			101-91.6/45.8	126.25-114.5/57.25	104239013	547
						575		324JP			36.6	45.75	104222009	547
						575		326JP			44.9	56.13	104222010	584
						575		364JP			53.6	67	104222011	825
						575		365JPZ			65.5	81.88	104222012	903

NOTES: JM frame motors used with mechanical seal-style pumps. JP frame motors used with packed box-style pumps. All three-phase motors listed on this page are suitable for VFD operation. Every attempt has been made to provide the most current and accurate information possible at the time of print. It is essential for the installing contractor to confirm motor nameplate data before installation.

CENTRIFUGAL PUMPS

CLOSE-COUPLED AG SERIES

☰ MENU



MOTOR SPECIFICATIONS

PREMIUM EFFICIENCY

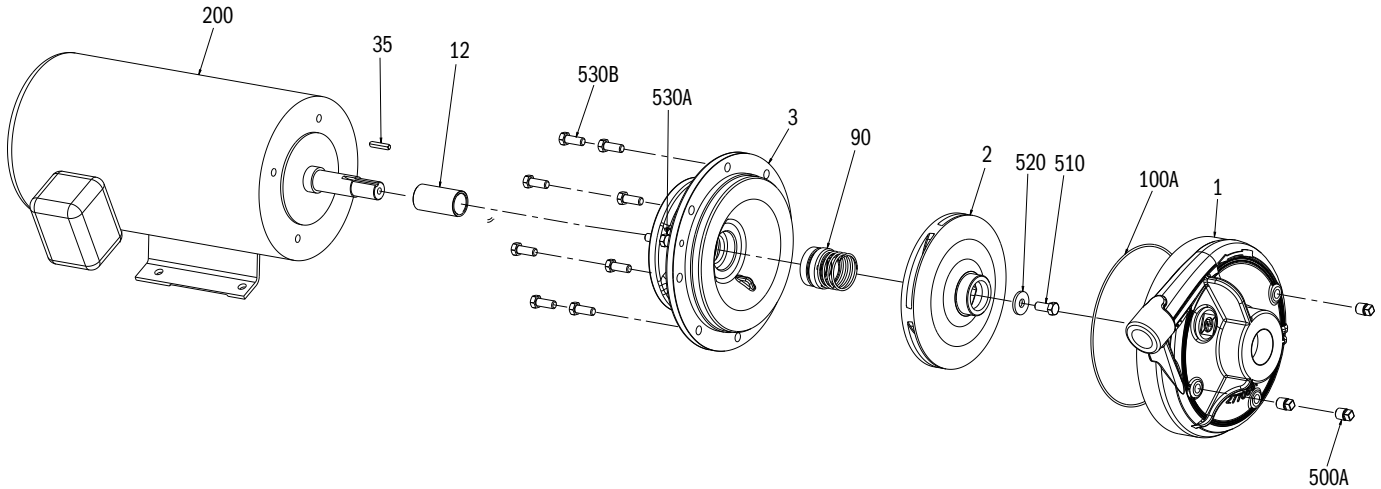
Efficiency	Sealing	Enclosure	Speed	HP	Phase	Voltage	SF Rating	Frame	AK Fit	Shaft Size	FLA	SFA	Order No.	Wt. (lbs)											
PREM	Mechanical	ODP	1800 RPM	3	3	208-230/460	1.15	286JM	12.5	1 1/4	78.3-70.8/35.4	90.05-81.42/40.71	104226012	419											
								286JM			28.3	32.55	104240008	419											
								324JM			107-96.4/48.2	123.05-110.86/55.43	104226013	507											
								324JM			38.6	44.39	104240009	507											
								326JM			132-120/59.9	151.8-138/68.89	104226015	573											
								326JM			47.9	55.09	104240010	573											
	Packing					208-230/460	1.15	286JM	12.5		1 1/4	78.3-70.8/35.4	90.05-81.42/40.71	104227012	419										
								286JM				28.3	32.55	104241008	419										
								324JM				107-96.4/48.2	123.05-110.86/55.43	104227013	507										
								324JM				38.6	44.39	104241009	507										
								326JM				132-120/59.9	151.8-138/68.89	104227015	573										
								326JM				47.9	55.09	104241010	573										
	Packing	208-230/460	1.25	1800 RPM	3	3	1.25	1.25	364JM	12.5	1 5/8	155-140/69.9	178.25-161/80.39	104227018	825										
									364JM			55.9	64.29	104241011	825										
									365JM			189-167/83.5	217.35-192.05/96.03	104227020	825										
									365JM			66.8	76.82	104241012	825										
									Mechanical			208-230/460	1.25	1800 RPM	3	3	1.25	1.25	286JP	12.5	1 1/4	77.6-70.2/35.1	97-87.75/43.88	104228010	437
																			286JP			28.1	35.13	104242008	437
	324JP	104-94.2/47.1	130-117.75/58.88	104228011	492																				
	324JP	37.7	47.13	104242009	492																				
	326JP	131-118/59.2	163.75-147.5/74	104228013	536																				
	326JP	47.4	59.25	104242010	536																				
	Packing	208-230/460	1.25	1800 RPM	3	3	1.25	1.25	286JP	12.5	1 1/4	77.6-70.2/35.1	97-87.75/43.88	104229010	437										
									286JP			28.1	35.13	104243008	437										
									324JP			104-94.2/47.1	130-117.75/58.88	104229011	492										
									324JP			37.7	47.13	104243009	492										
									326JP			131-118/59.2	163.75-147.5/74	104229013	536										
									326JP			47.4	59.25	104243010	536										
	Packing	208-230/460	1.25	1800 RPM	3	3	1.25	1.25	364JP	12.5	1 5/8	151-137/68.3	188.75-171.25/85.38	104229016	869										
									364JP			54.6	68.25	104243011	869										
365JP									186-168/84.1			232.5-210/105.13	104229018	919											
365JP									67.3			84.13	104243012	919											

NOTES: JM frame motors used with mechanical seal-style pumps. JP frame motors used with packed box-style pumps. All three-phase motors listed on this page are suitable for VFD operation. Every attempt has been made to provide the most current and accurate information possible at the time of print. It is essential for the installing contractor to confirm motor nameplate data before installation.

CENTRIFUGAL PUMPS

CLOSE-COUPLED AG SERIES

☰ MENU



REPAIR PARTS

A1 X 1.5 - 7 JM

Sealing	Figure No.	Part Description	Repair No.	Materials of Construction
Mechanical	1	Volute Case (NPT) w/plugs	305563001	Cast iron, ASTM-A48 CL30
	2	Impeller, 3 hp, 5.25" trim (.875" bore)	305563002	Cast iron, ASTM-A48 CL30
	2	Impeller, 5 hp, 6.125" trim (.875" bore)	305563003	Cast iron, ASTM-A48 CL30
	2	Impeller, 7.5 hp, 7.125" trim (.875" bore)	305563004	Cast iron, ASTM-A48 CL30
	3	Motor Bracket	305563005	Cast iron, ASTM-A48 CL30
	12	Sleeve, Mechanical Seal	305463227	416 stainless steel
	35	Key, Impeller Shaft	305463001	301 stainless steel
	90	Mechanical Shaft Seal	305463002	Carbon/ceramic/nitrile/316 stainless steel
	100A	O-ring, Volute Case (2 pack)	305463226	Nitrile
	500A	Pipe Plug (4 pack)	305463020	CAD-plated steel
	510	Hex Cap Screw, Impeller	305463006	316 stainless steel, grade 5
	520	Washer, Impeller	305447009	300 Series stainless steel
	530A	Hex Cap Screw, Motor Bracket (12 pack)	305463010	Zinc-plated steel
530B	Hex Cap Screw, Volute Case (12 pack)	305463010	Zinc-plated steel	

REPLACEMENT MOTORS

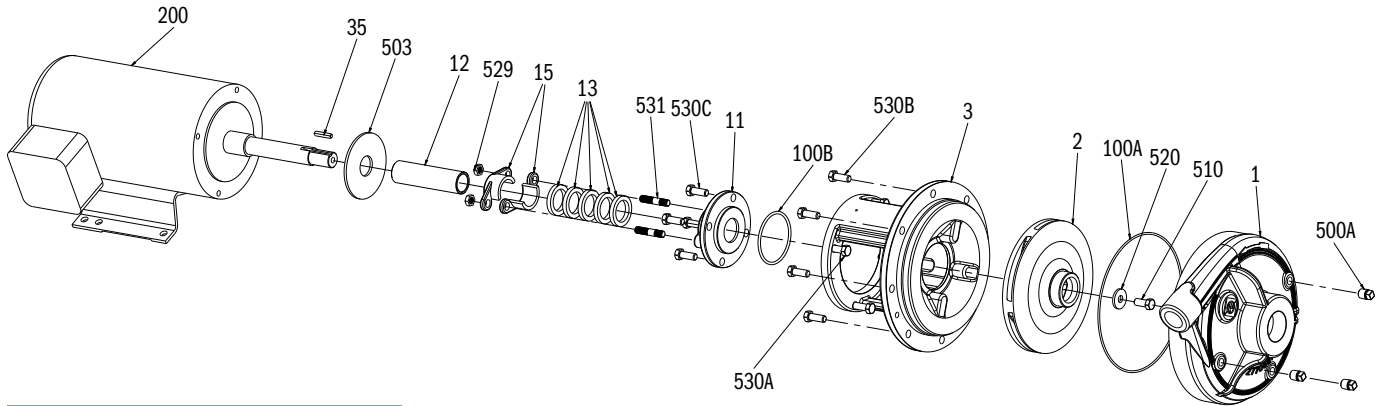
A1 X 1.5 - 7 JM

HP	Phase	AK Fit	Order No.	
			ODP Enclosure	TEFC Enclosure
3	1	4.5	104219000	104220000
	3		104219001	104220001
5	1		104219002	104220002
	3		104219003	104220003
7.5	3		104219005	104220005

CENTRIFUGAL PUMPS

CLOSE-COUPLED AG SERIES

☰ MENU



REPAIR PARTS

A1 X 1.5 - 7 JP

Series	Figure No.	Part Description	Repair No.	Materials of Construction
Packing	1	Volute Case (NPT) w/plugs	305563001	Cast iron, ASTM-A48 CL30
	2	Impeller, 3 hp, 5.25" trim (.875" bore)	305563002	Cast iron, ASTM-A48 CL30
	2	Impeller, 5 hp, 6.125" trim (.875" bore)	305563003	Cast iron, ASTM-A48 CL30
	2	Impeller, 7.5 hp, 3-phase, 7.125" trim (.875" bore)	305563004	Cast iron, ASTM-A48 CL30
	3	Motor Bracket	305563006	Cast iron, ASTM-A48 CL30
	11	Packing Seal Box	305447004	Cast iron, ASTM-A48 CL30
	12	Sleeve, Shaft	305448006	416 stainless steel
	13	Packing Ring Set	305447006	Graphite/cotton
	15	Packing Gland (2 piece)	305447007	316 stainless steel
	35	Key, Impeller Shaft	305463001	301 stainless steel
	90	Mechanical Shaft Seal	305463002	Carbon/ceramic/nitrile/316 stainless steel
	100A	O-ring, Volute Case (2 pack)	305463226	Nitrile
	100B	O-ring, Seal Box (2 pack)	305463003	Nitrile
	500A	Pipe Plug (4 pack)	305463020	Zinc-plated steel
	503	Slinger	305450007	Neoprene
	510	Hex Cap Screw, Impeller	305463006	316 stainless steel, grade 5
	520	Washer, Impeller	305447009	300 Series stainless steel
	529	Nut, Packing Gland (4 pack)	305463007	Zinc-plated steel
	530A	Hex Cap Screw, Motor Bracket (12 pack)	305463010	Zinc-plated steel
	530B	Hex Cap Screw, Volute Case (12 pack)	305463010	Zinc-plated steel
530C	Hex Cap Screw, Seal Box (12 pack)	305463010	Zinc-plated steel	
531	Stud, Packing Gland (4 pack)	305463008	Zinc-plated steel	

REPLACEMENT MOTORS

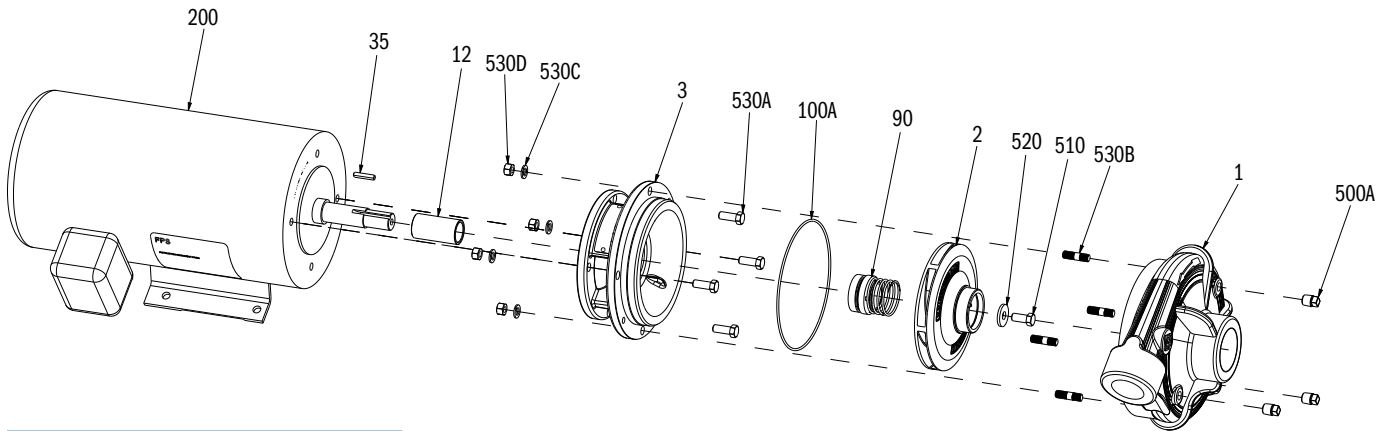
A1 X 1.5 - 7 JP

HP	Phase	AK Fit	Order No.	
			ODP Enclosure	TEFC Enclosure
3	1	4.5	104217000	104218000
	3		104217001	104218001
5	1		104217002	104218002
	3		104217003	104218003
7.5	3		104217005	104218005

CENTRIFUGAL PUMPS

CLOSE-COUPLED AG SERIES

MENU



REPAIR PARTS

A1.5 X 2 - 6 JM

Sealing	Figure No.	Part Description	Repair No.		Materials of Construction
			4.5AK Models	8.5AK Models	
Mechanical	1	Volute Case (NPT) w/plugs	305566001		Cast iron, ASTM-A48 CL30
	2	Impeller, 5 hp, 5.438" trim (.875" bore)	305566002	N/A	Cast iron, ASTM-A48 CL30
	2	Impeller, 7.5 hp, 6.00" trim (.875" bore)	305566003		Cast iron, ASTM-A48 CL30
	2	Impeller, 10 hp, 6.437" trim (.875" bore)	N/A	305566004	Cast iron, ASTM-A48 CL30
	3	Motor Bracket	305564005	305564008	Cast iron, ASTM-A48 CL30
	12	Sleeve, Mechanical Seal	305463227		416 stainless steel
	35	Key, Impeller Shaft	305463001		301 stainless steel
	90	Mechanical Shaft Seal	305463002		Carbon/ceramic/nitrile/316 stainless steel
	100A	O-ring, Volute Case (2 pack)	305463004		Nitrile
	500A	Pipe Plug (4 pack)	305463020		CAD-plated steel
	510	Hex Cap Screw, Impeller	305463006		316 stainless steel, grade 5
	520	Washer, Impeller	305463228		300 Series stainless steel
	530A	Hex Cap Screw, Motor Bracket (12 pack)	305463010	305463026	Zinc-plated steel
	530B	Studs, Volute Case (4 pack)	305463229		Zinc-plated steel
530C	Lock Washers, Volute Case (6 pack)	305463032		Zinc-plated steel	
530D	Nut, Volute Case	305463033		Zinc-plated steel	

REPLACEMENT MOTORS

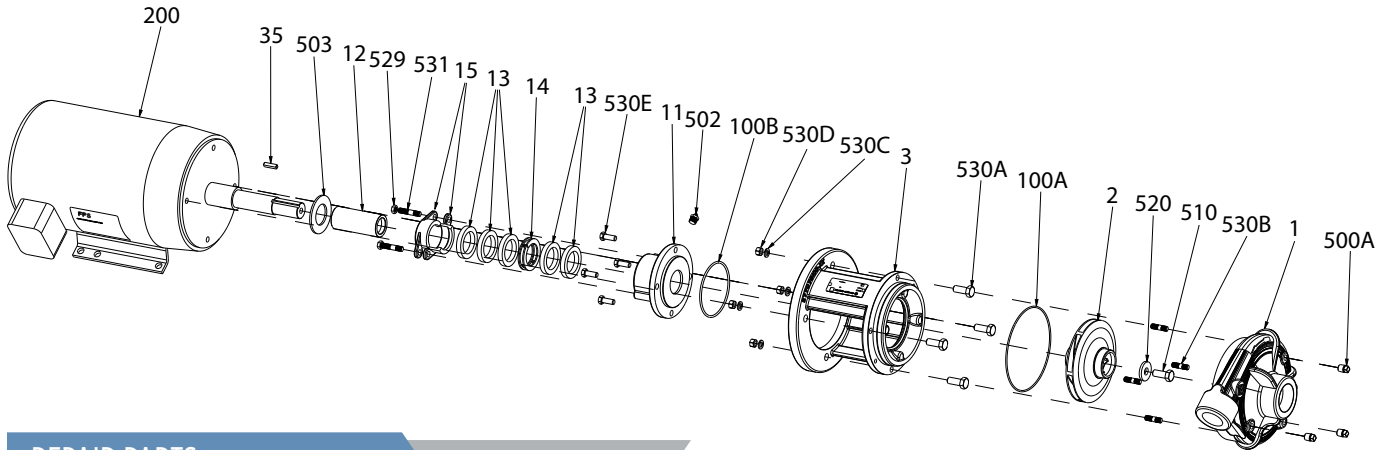
A1.5 X 2 - 6 JM

HP	Phase	AK Fit	Order No.	
			ODP Enclosure	TEFC Enclosure
5	1	4.5	104219002	104220002
	3		104219003	104220003
7.5	1	8.5	104219004	104220004
	3	4.5	104219005	104220005
10	1	8.5	104219006	104220006
	3		104219007	104220007

CENTRIFUGAL PUMPS

CLOSE-COUPLED AG SERIES

☰ MENU



REPAIR PARTS

A1.5 X 2 - 6 JP

Sealing	Figure No.	Part Description	Repair No.		Materials of Construction
			4.5AK Models	8.5AK Models	
Packing	1	Volute Case (NPT) w/plugs	305566001		Cast iron, ASTM-A48 CL30
	2	Impeller, 5 hp, 5.438" trim (.875" bore)	305566002	N/A	Cast iron, ASTM-A48 CL30
	2	Impeller, 7.5 hp, 1-phase, 6.00" trim (1.25" bore)	N/A	305566005	-
	2	Impeller, 7.5 hp, 3-phase, 6.00" trim (.875" bore)	305566003	N/A	Cast iron, ASTM-A48 CL30
	2	Impeller, 10 hp, 6.437" trim (1.25" bore)	N/A	305566006	Cast iron, ASTM-A48 CL30
	3	Motor Bracket	305564006	305564009	Cast iron, ASTM-A48 CL30
	11	Packing Seal Box	305447004	305448005	Cast iron, ASTM-A48 CL30
	12	Sleeve, Shaft	305448006	305464010	416 stainless steel
	13	Packing Ring Set	305447006	305448009	Graphite/cotton
	14	Lantern Ring	N/A	305448010	PTFE
	15	Packing Gland (2 piece)	305447007	305448011	316 stainless steel
	35	Key, Impeller Shaft	305463001	305448012	301 stainless steel
	100A	O-ring, Volute Case (2 pack)	305463004		Nitrile
	100B	O-ring, Seal Box (2 pack)	305463003	305463013	Nitrile
	500A	Pipe Plug (4 pack)	305463020		Zinc-plated steel
	502	Grease Fitting	N/A	305463015	Zinc-plated steel
	503	Slinger	305450007	305447008	Neoprene
	510	Hex Cap Screw, Impeller	305463006	305463024	410 stainless steel
	520	Washer, Impeller	305447009	305450015	300 Series stainless steel
	529	Nut, Packing Gland (4 pack)	305463007		Zinc-plated steel
	530A	Hex Cap Screw, Motor Bracket (12 pack)	305463010	305463016	Zinc-plated steel
	530B	Stud, Volute Case (4 pack)	305463229		Zinc-plated steel
	530C	Lock Washers, Volute Case (6 pack)	305463032		Zinc-plated steel
	530D	Nut, Volute Case	305463033		Zinc-plated steel
530E	Hex Cap Screw, Seal Box (12 pack)	305463010		Zinc-plated steel	
531	Stud, Packing Gland (4 pack)	305463008		Zinc-plated steel	

REPLACEMENT MOTORS

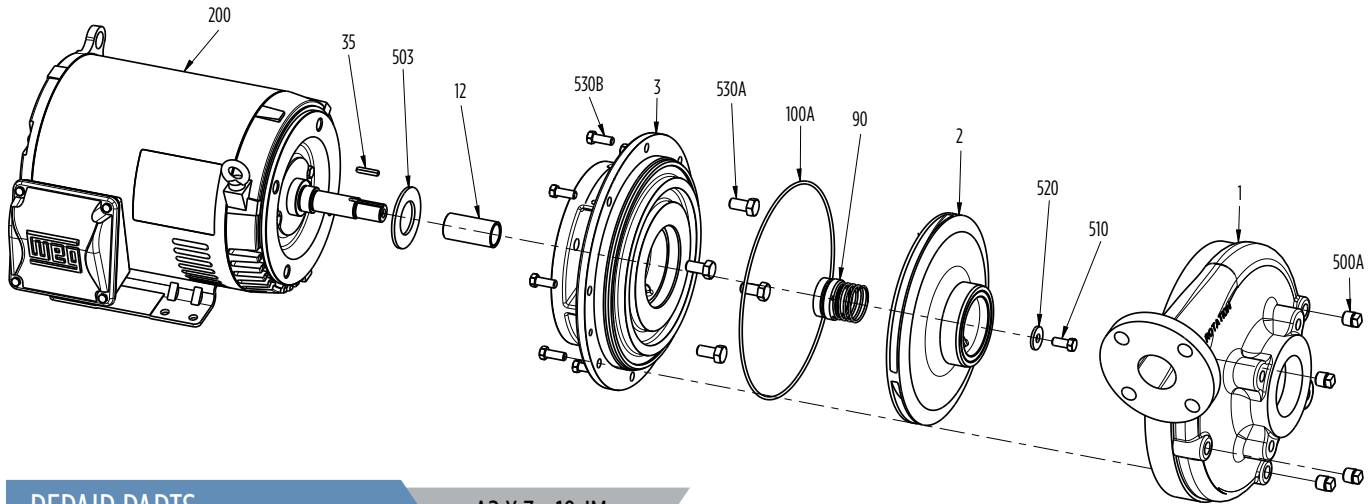
A1.5 X 2 - 6 JP

HP	Phase	AK Fit	Order No.	
			ODP Enclosure	TEFC Enclosure
5	1	4.5	104217002	104218002
	3		104217003	104218003
7.5	1	8.5	104217004	104218004
	3	4.5	104217005	104218005
10	1	8.5	104217006	104218006
	3		104217007	104218007

CENTRIFUGAL PUMPS

CLOSE-COUPLED AG SERIES

MENU



REPAIR PARTS

A2 X 3 - 10 JM

Figure No.	Part Description	Repair No.		Materials of Construction
		4.5AK* Models	8.5AK* Models	
1	Volute Case, NPT w/plugs	305411923		Cast iron, ASTM-A48 CL30
Not Shown	Volute Case, Flange w/plugs	305411907		Cast iron, ASTM-A48 CL30
2	Impeller, 7-1/2 hp Trim 6.75" (.875" bore)	305411924	N/A	Cast iron, ASTM-A48 CL30
2	Impeller, 10 hp Trim 7.38" (.875" bore)	305411925	N/A	Cast iron, ASTM-A48 CL30
2	Impeller, 15 hp Trim 8.25" (.875" bore)	305411926	N/A	Cast iron, ASTM-A48 CL30
2	Impeller, 20 hp Trim 9.00" (1.250" bore)	N/A	305411927	Cast iron, ASTM-A48 CL30
3	Motor Bracket, 4.5AK	305411928	N/A	Cast iron, ASTM-A48 CL30
3	Motor Bracket, 7.5-15 hp	N/A	305411929	Cast iron, ASTM-A48 CL30
3	Motor Bracket, 20 hp	N/A	305411930	Cast iron, ASTM-A48 CL30
12	Shaft Sleeve, 7.5-15 hp	305463248		416 stainless steel
12	Shaft Sleeve, 20 hp	N/A	305463249	416 stainless steel
35	Key, Impeller Shaft, 7.5-15 hp	305463001		301 stainless steel
35	Key, Impeller Shaft, 20 hp	N/A	305463150	316 stainless steel
90	Mechanical Shaft Seal, 3-15 hp	305463002		Carbon/ceramic/nitrile/316 stainless steel
90	Mechanical Shaft Seal, 20 hp	N/A	305463012	Carbon/ceramic/nitrile/316 stainless steel
100A	O-ring, Volute Case, 3-10 hp (2 pack)	305418925		Nitrile
500A	Pipe Plug (4 pack)	305463175		CAD-plated steel
503	Water Slinger	305450007		Neoprene
503	Water Slinger, 20 hp	N/A	305447008	Neoprene
510	Hex Cap Screw, Impeller	305463006		316 stainless steel, grade 5
510	Hex Cap Screw, Impeller, 20 hp	N/A	305463014	316 stainless steel, grade 5
520	Washer, Impeller	305447009		300 Series stainless steel
520	Washer, Impeller, 20 hp	N/A	305419904	300 Series stainless steel
530A	Hex Cap Screw, Motor Bracket, 7.5-15 hp (12 pack)	305463053	305463053	Zinc-plated steel
530A	Hex Cap Screw, Motor Bracket, 20 hp (12 pack)	N/A	305463016	Zinc-plated steel
530B	Hex Cap Screw, Volute Case (4 pack)	305463010		Zinc-plated steel

REPLACEMENT MOTORS

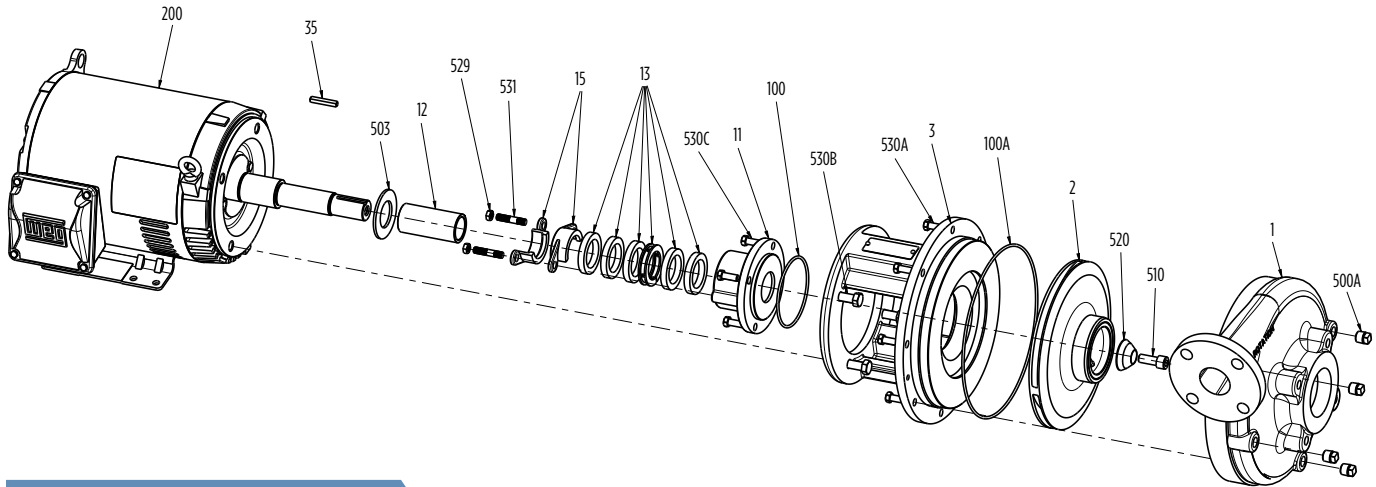
A2 X 3 - 10 JM

HP	Phase	AK Fit	Order No.	
			ODP Enclosure	TEFC Enclosure
7.5	1	8.5	104219004	104220004
	3	4.5	104236006	N/A
	3		N/A	104238006
10	1	8.5	104219006	104220006
	3		104236008	104238008
15	3		104236009	104238009
20	3		104236010	104238010

CENTRIFUGAL PUMPS

CLOSE-COUPLED AG SERIES

☰ MENU



REPAIR PARTS

A2 X 3 - 10 JP

Sealing	Figure No.	Part Description	Repair No.		Materials of Construction
			4.5AK* Models	8.5AK* Models	
Packing	1	Volute Case, NPT w/plugs	305411924		Cast iron, ASTM-A48 CL30
	Not Shown	Volute Case, Flange w/plugs	305411907		Cast iron, ASTM-A48 CL30
	2	Impeller, 7-1/2 hp Trim 6.75" (.875" bore)	305411924	305411931	Cast iron, ASTM-A48 CL30
	2	Impeller, 10 hp Trim 7.38" (.875" bore)	N/A	305411932	Cast iron, ASTM-A48 CL30
	2	Impeller, 15 hp Trim 8.25" (.875" bore)	N/A	305411933	Cast iron, ASTM-A48 CL30
	2	Impeller, 20 hp Trim 9.00" (1.250" bore)	N/A	305411929	Cast iron, ASTM-A48 CL30
	3	Motor Bracket	305411934	305412902	Cast iron, ASTM-A48 CL30
	11	Packing Seal Box	305447004	305448005	Cast iron, ASTM-A48 CL30
	12	Shaft Sleeve	305448006	305452010	416 stainless steel
	13	Packing Ring Set	305447006	305448009	Graphite/cotton
	14	Lantern Ring	N/A	305448010	PTFE
	15	Packing Gland (2 piece)	305447007	305448011	316 stainless steel
	21	Packing Gland Assembly	305411935	305411936	Various
	35	Key, Impeller Shaft	305463001	305463150	301 stainless steel
	100	O-ring, Packing Seal Box	305463003	305463013	Nitrile
	100A	O-ring, Volute Case, 15-20 hp (2 pack)	305418925		Nitrile
	500A	Pipe Plug (4 pack)	305463175		CAD-plated steel
	502	Grease Fitting (2 pack)	N/A	305463015	Zinc-plated steel
	503	Water Slinger	305450007	305447008	Neoprene
	510	Hex Cap Screw, Impeller	305463006	305463014	316 stainless steel, grade 5
	520	Washer, Impeller	305447009	305447008	300 Series stainless steel
	529	Nut, Packing Gland (4 pack)	305463007		Zinc-plated steel
	530A	Hex Cap Screw, Motor Bracket	305463010	305463016	Zinc-plated steel
530B	Hex Cap Screw, Volute Case (12 pack)	305463010		Zinc-plated steel	
530C	Hex Cap Screw, Seal Box (12 pack)	305463010		Zinc-plated steel	
531	Stud, Packing Gland (4 pack)	305463008		Zinc-plated steel	

REPLACEMENT MOTORS

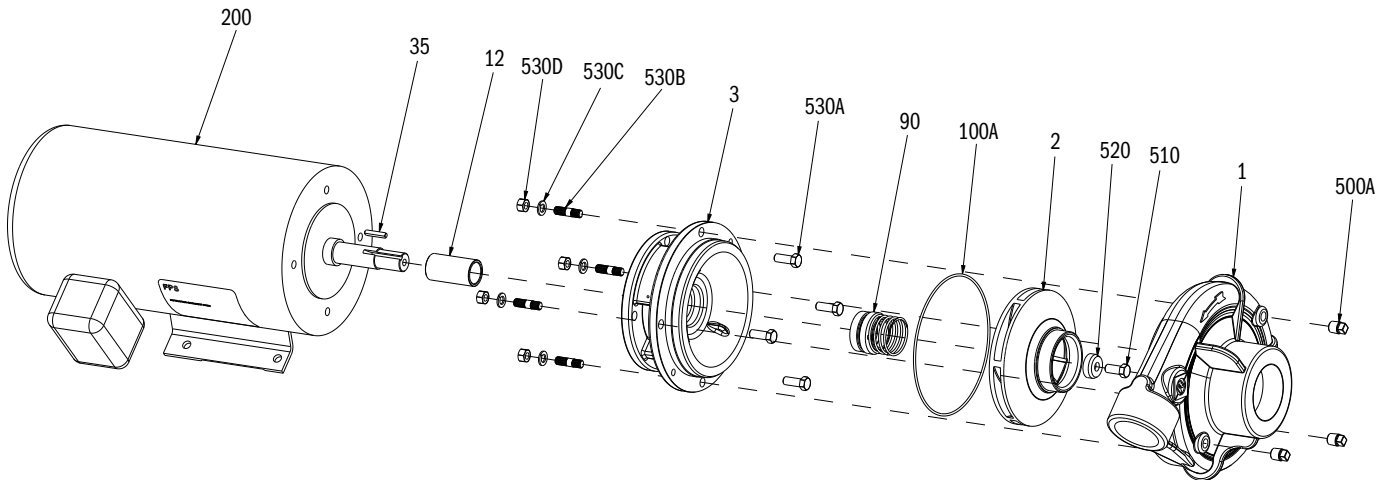
A2 X 3 - 10 JP

HP	Phase	AK Fit	Order No.	
			ODP Enclosure	TEFC Enclosure
7.5	1	8.5	104217004	104218004
	3	4.5	104237006	N/A
	3		N/A	104239006
10	1	8.5	104217006	104218006
	3		104237008	104239008
15	3		104237009	104239009
20	3		104237010	104239010

CENTRIFUGAL PUMPS

CLOSE-COUPLED AG SERIES

MENU



REPAIR PARTS

A2 X 2.5 - 6 JM

Sealing	Figure No.	Part Description	Repair No.		Materials of Construction
			4.5AK Models	8.5AK Models	
Mechanical	1	Volute Case (NPT) w/plugs	305564001		Cast iron, ASTM-A48 CL30
	Not Shown	Volute Case (Flange) w/plugs	305564010		Cast iron, ASTM-A48 CL30
	2	Impeller, 3 hp, 4.125" trim (.875" bore)	305564002	N/A	Cast iron, ASTM-A48 CL30
	2	Impeller, 5 hp, 4.875" trim (.875" bore)	305564003	N/A	Cast iron, ASTM-A48 CL30
	2	Impeller, 7.5 hp, 5.50" trim (.875" bore)	305564004		Cast iron, ASTM-A48 CL30
	2	Impeller, 10 hp, 6.00" trim (.875" bore)	N/A	305564007	Cast iron, ASTM-A48 CL30
	2	Impeller, 15 hp, 6.413" trim (.875" bore)	N/A	305564013	Cast iron, ASTM-A48 CL30
	3	Motor Bracket	305564005	305564008	Cast iron, ASTM-A48 CL30
	12	Sleeve, Mechanical Seal	305463227		416 stainless steel
	35	Key, Impeller Shaft	305463001		301 stainless steel
	90	Mechanical Shaft Seal	305463002		Carbon/ceramic/nitrile/316 stainless steel
	100A	O-ring, Volute Case (2 pack)	305463004		Nitrile
	500A	Pipe Plug (4 pack)	305463020		CAD-plated steel
	510	Hex Cap Screw, Impeller	305463006		316 stainless steel, grade 5
	520	Washer, Impeller	305447009		300 Series stainless steel
	530A	Hex Cap Screw, Motor Bracket (12 pack)	305463010	305463026	Zinc-plated steel
530B	Studs, Volute Case (4 pack)	305463229		Zinc-plated steel	
530C	Lock Washers, Volute Case (6 pack)	305463032		Zinc-plated steel	
530D	Nut, Volute Case	305463033		Zinc-plated steel	

REPLACEMENT MOTORS

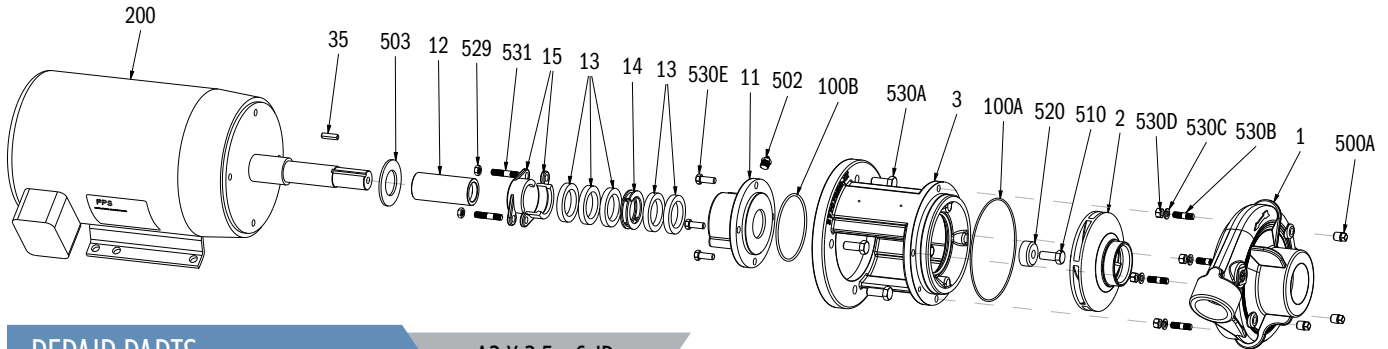
A2 X 2.5 - 6 JM

HP	Phase	AK Fit	Order No.	
			ODP Enclosure	TEFC Enclosure
5	1	4.5	104219002	104220002
	3		104219003	104220003
7.5	1	8.5	104219004	104220004
	3	4.5	104219005	104220005
10	1	8.5	104219006	104220006
	3		104219007	104220007
15	3		104219008	104220008

CENTRIFUGAL PUMPS

CLOSE-COUPLED AG SERIES

☰ MENU



REPAIR PARTS

A2 X 2.5 - 6 JP

Sealing	Figure No.	Part Description	Repair No.		Materials of Construction
			4.5AK Models	8.5AK Models	
Packing	1	Volute Case (NPT) w/plugs	305564001		Cast iron, ASTM-A48 CL30
	Not Shown	Volute Case (Flange) w/plugs	305564010		Cast iron, ASTM-A48 CL30
	2	Impeller, 3 hp, 4.125" trim (.875" bore)	305564002	N/A	Cast iron, ASTM-A48 CL30
	2	Impeller, 5 hp, 4.875" trim (.875" bore)	305564003	N/A	Cast iron, ASTM-A48 CL30
	2	Impeller, 7.5 hp, 1-phase, 5.50" trim (.875" bore)	N/A	305564004	Cast iron, ASTM-A48 CL30
	2	Impeller, 7.5 hp, 3-phase 5.50" trim (1.25" bore)	305564011		Cast iron, ASTM-A48 CL30
	2	Impeller, 10 hp, 6.00" trim (1.25" bore)	N/A	305564014	Cast iron, ASTM-A48 CL30
	2	Impeller, 15 hp, 6.413" trim (1.25" bore)	N/A	305564012	Cast iron, ASTM-A48 CL30
	3	Motor Bracket	305564006	305564009	Cast iron, ASTM-A48 CL30
	11	Packing Seal Box	305447004	305448005	Cast iron, ASTM-A48 CL30
	12	Sleeve, Shaft	305448006	305464010	416 stainless steel
	13	Packing Ring Set	305447006	305448009	Graphite/cotton
	14	Lantern Ring	N/A	305448010	PTFE
	15	Packing Gland (2 piece)	305447007	305448011	316 stainless steel
	35	Key, Impeller Shaft	305463001	305448012	301 stainless steel
	100A	O-ring, Volute Case (2 pack)	305463004		Nitrile
	100B	O-ring, Seal Box (2 pack)	305463003	305463013	Nitrile
	500A	Pipe Plug (4 pack)	305463020		Zinc-plated steel
	502	Grease Fitting	N/A	305463015	Zinc-plated steel
	503	Slinger	305450007	305447008	Neoprene
	510	Hex Cap Screw, Impeller	305463006	305463024	410 stainless steel
	520	Washer, Impeller	305447009	305450015	300 Series stainless steel
	529	Nut, Packing Gland (4 pack)	305463007		Zinc-plated steel
	530A	Hex Cap Screw, Motor Bracket (12 pack)	305463010	305463016	Zinc-plated steel
	530B	Stud, Volute Case (4 pack)	305463229		Zinc-plated steel
	530C	Lock Washers, Volute Case (6 pack)	305463032		Zinc-plated steel
	530D	Nut, Volute Case	305463033		Zinc-plated steel
	530E	Hex Cap Screw, Seal Box (12 pack)	305463010		Zinc-plated steel
	531	Stud, Packing Gland (4 pack)	305463008		Zinc-plated steel

REPLACEMENT MOTORS

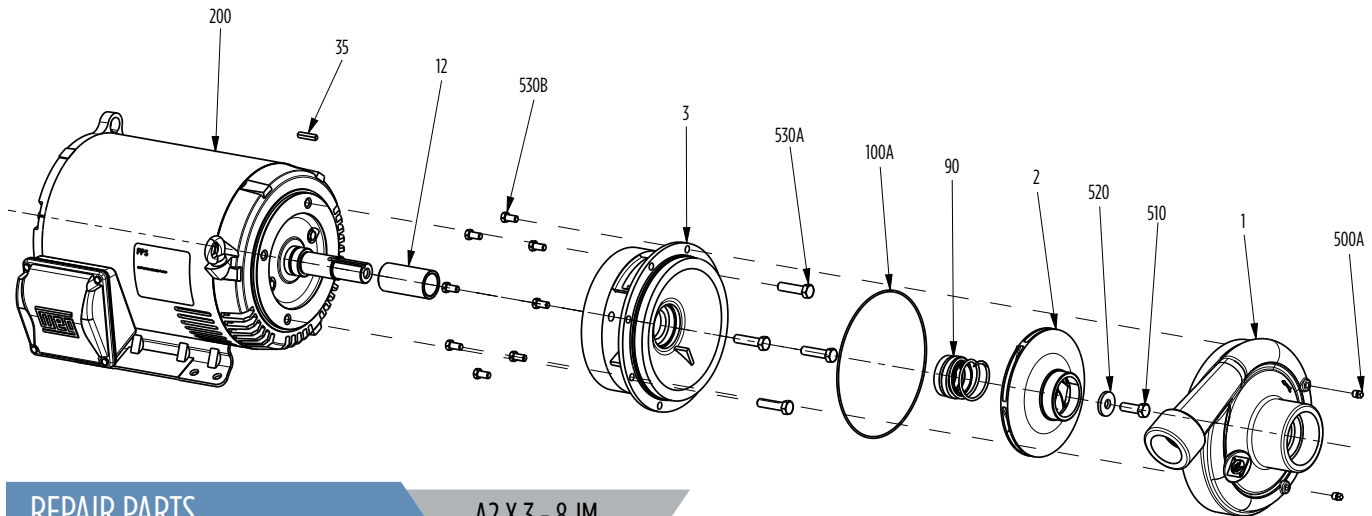
A2 X 2.5 - 6 JP

HP	Phase	AK Fit	Order No.	
			ODP Enclosure	TEFC Enclosure
5	1	4.5	104217002	104218002
	3		104217003	104218003
7.5	1	8.5	104217004	104218004
	3		104217005	104218005
10	1	8.5	104217006	104218006
	3		104217007	104218007
15	3		104217008	104218008

CENTRIFUGAL PUMPS

CLOSE-COUPLED AG SERIES

MENU



REPAIR PARTS

A2 X 3 - 8 JM

Sealing	Figure No.	Part Description	Repair No.		Materials of Construction
			4.5AK Models	8.5AK Models	
Mechanical	1	Volute Case, NPT w/plugs	305450002		Cast iron, ASTM-A48 CL30
	Not Shown	Volute Case, Flange w/plugs	305450028		Cast iron, ASTM-A48 CL30
	2	Impeller, 7.5 hp, 5.88" trim (.875" bore)	305450033		Cast iron, ASTM-A48 CL30
	2	Impeller, 10 hp, 6.50" trim (.875" bore)	N/A	305450034	Cast iron, ASTM-A48 CL30
	2	Impeller, 15 hp, 7.25" trim (.875" bore)	N/A	305450029	Cast iron, ASTM-A48 CL30
	2	Impeller, 20 hp, 7.94" trim (1.25" bore)	N/A	305450030	Cast iron, ASTM-A48 CL30
	3	Motor Bracket	305449016	305449017	Cast iron, ASTM-A48 CL30
	3	Motor Bracket, 20 hp	N/A	305450025	Cast iron, ASTM-A48 CL30
	12	Shaft Sleeve	305463240		416 stainless steel
	12	Shaft Sleeve, 20 hp	N/A	305463241	416 stainless steel
	35	Key, Impeller Shaft	305463001		301 stainless steel
	35	Key, Impeller Shaft, 20 hp	N/A	305450006	316 stainless steel
	90	Mechanical Shaft Seal	305463002		Carbon/ceramic/nitrile/316 stainless steel
	90	Mechanical Shaft Seal, 20 hp	N/A	305463204	Carbon/ceramic/nitrile/316 stainless steel
	100A	O-ring, Volute Case (2 pack)	305463018		Nitrile
	500A	Pipe Plug (4 pack)	305463009		CAD-plated steel
	503	Water Slinger	305450007		Neoprene
	503	Water Slinger, 20 hp	N/A	305447008	Neoprene
	510	Hex Cap Screw, Impeller	305463006		316 stainless steel, grade 5
	510	Hex Cap Screw, Impeller, 20 hp	N/A	305463185	316 stainless steel, grade 5
520	Washer, Impeller	305447009		300 Series stainless steel	
520	Washer, Impeller, 20 hp	N/A	305450015	300 Series stainless steel	
530A	Hex Cap Screw, Motor Bracket (12 pack)	305463010	305463016	Zinc-plated steel	
530A	Hex Cap Screw, Motor Bracket, 20 hp (12 pack)	N/A	305463207	Zinc-plated steel	
530B	Hex Cap Screw, Volute Case (4 pack)	305463010	305463064	Zinc-plated steel	
530B	Hex Cap Screw, Volute Case, 20 hp (4 pack)	N/A	305463030	Zinc-plated steel	

REPLACEMENT MOTORS

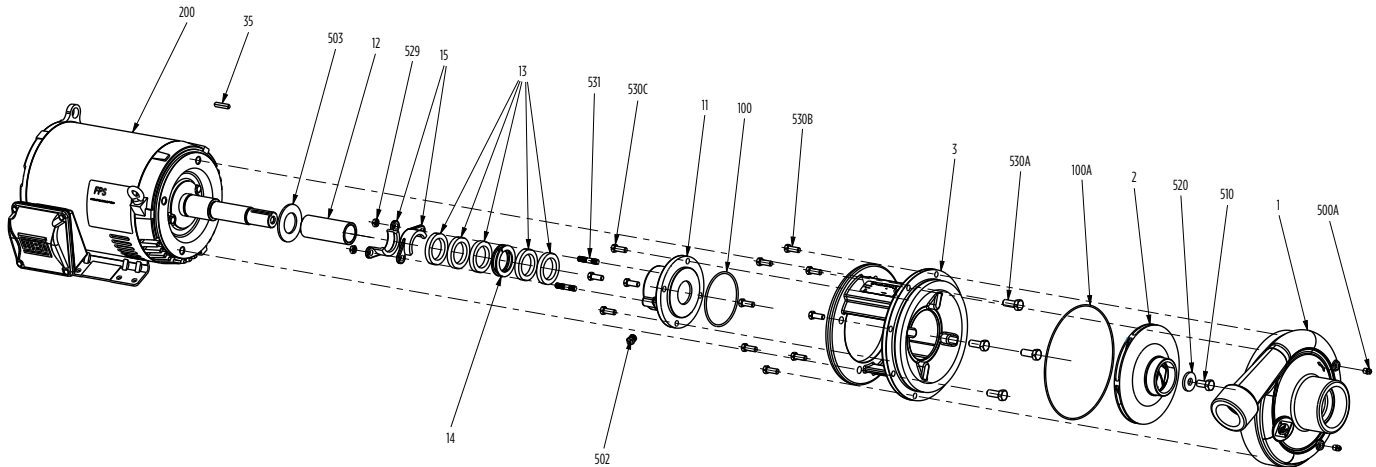
A2 X 3 - 8 JM

HP	Phase	AK Fit	Order No.	
			ODP Enclosure	TEFC Enclosure
7.5	1	8.5	104219004	104220004
	3	4.5	104236006	N/A
	3		N/A	104238006
10	1	8.5	104219006	104220006
	3		104236008	104238008
15	3		104236009	104238009
20	3		104236010	104238010

CENTRIFUGAL PUMPS

CLOSE-COUPLED AG SERIES

MENU



REPAIR PARTS

A2 X 3 - 8 JP

Sealing	Figure No.	Part Description	Repair No.		Materials of Construction
			4.5AK Models	8.5AK Models	
Packing	1	Volute Case, NPT w/plugs	305450002		Cast iron, ASTM-A48 CL30
	Not Shown	Volute Case, Flange w/plugs	305450028		Cast iron, ASTM-A48 CL30
	2	Impeller, 7.5 hp, 3-phase, 5.88" trim (.875" bore)	305450033	N/A	Cast iron, ASTM-A48 CL30
	2	Impeller, 7.5 hp, 1-phase, 5.88" trim (1.25" bore)	N/A	305450035	Cast iron, ASTM-A48 CL30
	2	Impeller, 10 hp, 6.50" trim (1.25" bore)	N/A	305450036	Cast iron, ASTM-A48 CL30
	2	Impeller, 15 hp, 7.25" trim (1.25" bore)	N/A	305450031	Cast iron, ASTM-A48 CL30
	2	Impeller, 20 hp, 7.94" trim (1.25" bore)	N/A	305450032	Cast iron, ASTM-A48 CL30
	3	Motor Bracket	305449002	305449003	Cast iron, ASTM-A48 CL30
	11	Packing Seal Box	305447004	305448005	Cast iron, ASTM-A48 CL30
	12	Shaft Sleeve	305448006	305449005	416 stainless steel
	13	Packing Ring Set	305447006	305448009	Graphite/cotton
	14	Lantern Ring	N/A	305448010	PTFE
	15	Packing Gland (2 piece)	305447007	305448011	316 stainless steel
	35	Key, Impeller Shaft	305463001	305450006	316 stainless steel
	100	O-ring, Packing Seal Box	305463003	305463013	Nitrile
	100A	O-ring, Volute Case (2 pack)	305463018		Nitrile
	500A	Pipe Plug (4 pack)	305463009		CAD-plated steel
	502	Grease Fitting (2 pack)	N/A	305463015	Zinc-plated steel
	503	Water Slinger	305450007	305447008	Neoprene
	510	Hex Cap Screw, Impeller	305463006	305463019	316 stainless steel, grade 5
	520	Washer, Impeller	305447009	305450015	300 Series stainless steel
	529	Nut, Packing Gland (4 pack)	305463007		Zinc-plated steel
	530A	Hex Cap Screw, Motor Bracket	305463010	305463016	Zinc-plated steel
	530B	Hex Cap Screw, Volute Case (12 pack)	305463010		Zinc-plated steel
	530C	Hex Cap Screw, Seal Box (12 pack)	305463010		Zinc-plated steel
	531	Stud, Packing Gland (4 pack)	305463008		Zinc-plated steel

REPLACEMENT MOTORS

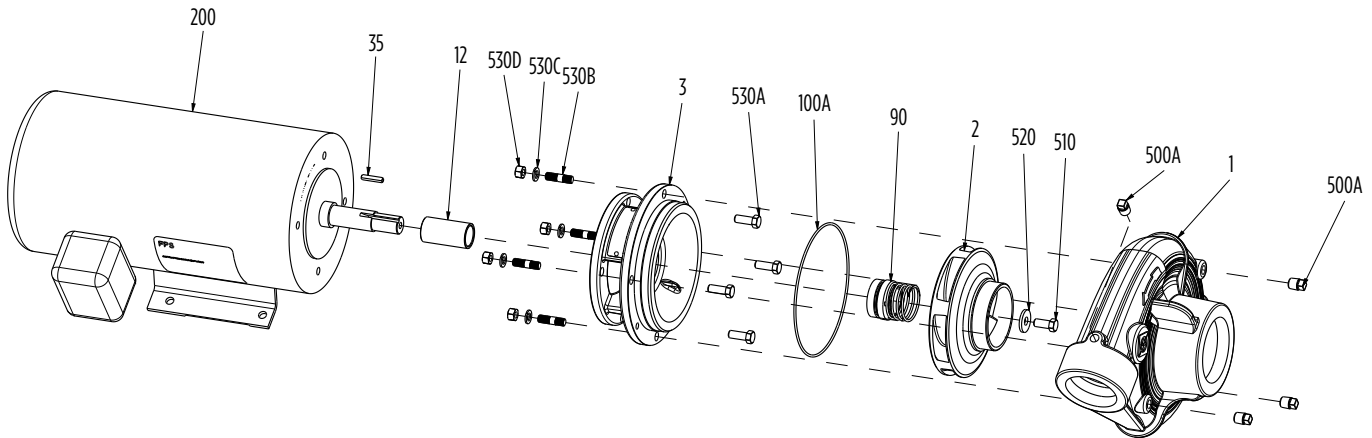
A2 X 3 - 8 JP

HP	Phase	AK Fit	Order No.	
			ODP Enclosure	TEFC Enclosure
7.5	1	8.5	104217004	104218004
	3	4.5	104237006	N/A
	3		N/A	104239006
10	1	8.5	104217006	104218006
	3		104237008	104239008
15	3		104237009	104239009
20	3		104237010	104239010

CENTRIFUGAL PUMPS

CLOSE-COUPLED AG SERIES

MENU



REPAIR PARTS

A2.5 X 3 - 6 JM

Sealing	Figure No.	Part Description	Repair No.		Materials of Construction
			4.5AK Models	8.5AK Models	
Mechanical	1	Volute Case (NPT) w/plugs	305576001		Cast iron, ASTM-A48 CL30
	Not Shown	Volute Case (Flange) w/plugs	305576002		Cast iron, ASTM-A48 CL30
	2	Impeller, 3 hp, 3.69" trim (.875" bore)	305576003	N/A	Cast iron, ASTM-A48 CL30
	2	Impeller, 5 hp, 4.25" trim (.875" bore)	305576004	N/A	Cast iron, ASTM-A48 CL30
	2	Impeller, 7.5 hp, 4.81" trim (.875" bore)	305576005		Cast iron, ASTM-A48 CL30
	2	Impeller, 10 hp, 5.38" trim (.875" bore)	N/A	305576006	Cast iron, ASTM-A48 CL30
	2	Impeller, 15 hp, 6.44" trim (.875" bore)	N/A	305576007	Cast iron, ASTM-A48 CL30
	3	Motor Bracket	305564005	305564008	Cast iron, ASTM-A48 CL30
	12	Sleeve, Mechanical Seal	305463227		416 stainless steel
	35	Key, Impeller Shaft	305463001		301 stainless steel
	90	Mechanical Shaft Seal	305463002		Carbon/ceramic/nitrile/316 stainless steel
	100A	O-ring, Volute Case (2 pack)	305463004		Nitrile
	500A	Pipe Plug (4 pack)	305463020		CAD-plated steel
	510	Hex Cap Screw, Impeller	305463006		316 stainless steel, grade 5
	520	Washer, Impeller	305463228		300 Series stainless steel
	530A	Hex Cap Screw, Motor Bracket (12 pack)	305463010	305463026	Zinc-plated steel
530B	Studs, Volute Case (4 pack)	305463229		Zinc-plated steel	
530C	Lock Washers, Volue Case (6 pack)	305463032		Zinc-plated steel	
530D	Nut, Volute Case	305463033		Zinc-plated steel	

REPLACEMENT MOTORS

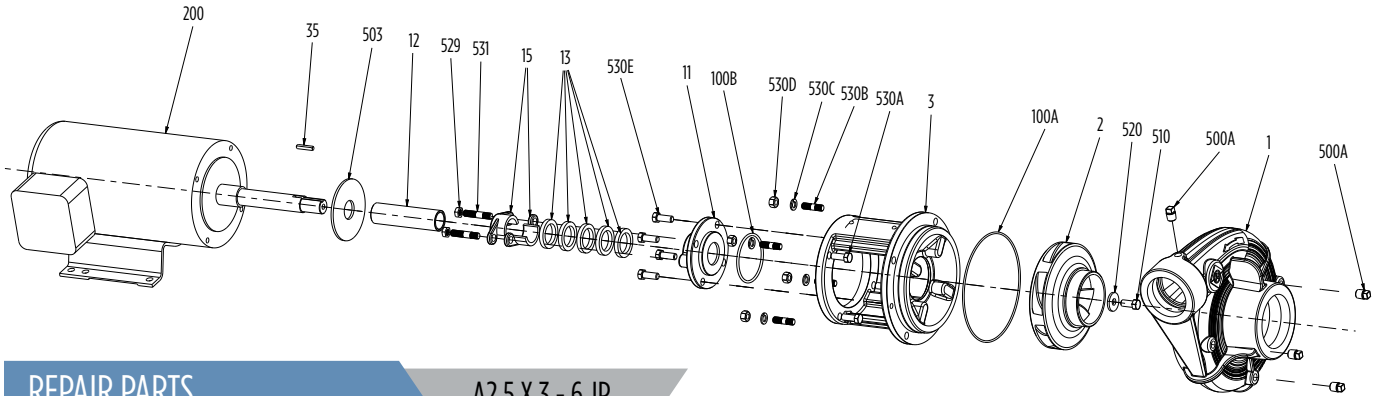
A2.5 X 3-6 JM

HP	Phase	AK Fit	Order No.	
			ODP Enclosure	TEFC Enclosure
3	1	4.5	104219000	104220000
	3		104236002	104238002
5	1		104219002	104220002
	3		104236004	104238004
7.5	1	8.5	104219004	104220004
	3	4.5	104236006	N/A
	3		N/A	104238006
10	1	8.5	104219006	104220006
	3		104236008	104238008
15	3		104236009	104238009

CENTRIFUGAL PUMPS

CLOSE-COUPLED AG SERIES

☰ MENU



REPAIR PARTS

A2.5 X 3 - 6 JP

Sealing	Figure No.	Part Description	Repair No.		Materials of Construction
			4.5AK Models	8.5AK Models	
Packing	1	Volute Case (NPT) w/plugs	305576001		Cast iron, ASTM-A48 CL30
	Not Shown	Volute Case (Flange) w/plugs	305576002		Cast iron, ASTM-A48 CL30
	2	Impeller, 3 hp, 3.69" trim (.875" bore)	305576003	N/A	Cast iron, ASTM-A48 CL30
	2	Impeller, 5 hp, 4.25" trim (.875" bore)	305576004	N/A	Cast iron, ASTM-A48 CL30
	2	Impeller 7.5 hp, 1-phase, 4.81" (.875" bore)	305576005	N/A	Cast iron, ASTM-A48 CL30
	2	Impeller 7.5 hp, 3-phase, 4.81" trim (1.25" bore)	N/A	305576009	Cast iron, ASTM-A48 CL30
	2	Impeller 10 hp, 6.00" trim (1.25" bore)	N/A	305576010	Cast iron, ASTM-A48 CL30
	2	Impeller 15 hp, 6.44" trim (1.25" bore)	N/A	305576011	Cast iron, ASTM-A48 CL30
	3	Motor Bracket	305564006	305564009	Cast iron, ASTM-A48 CL30
	11	Packing Seal Box	305447004	305448005	Cast iron, ASTM-A48 CL30
	12	Sleeve, Shaft	305448006	305464010	416 stainless steel
	13	Packing Ring Set	305447006	305448009	Graphite/cotton
	14	Lantern Ring	N/A	305448010	PTFE
	15	Packing Gland (2 piece)	305447007	305448011	316 stainless steel
	35	Key, Impeller Shaft	305463001	305448012	301 stainless steel
	100A	O-ring, Volute Case (2 pack)	305463004		Nitrile
	100B	O-ring, Seal Box (2 pack)	305463003	305463013	Nitrile
	500A	Pipe Plug (4 pack)	305463020		Zinc-plated steel
	502	Grease Fitting	N/A	305463015	Zinc-plated steel
	503	Slinger	305450007	305447008	Neoprene
	510	Hex Cap Screw, Impeller	305463006	305463024	410 stainless steel
	520	Washer, Impeller	305463228	305463230	300 Series stainless steel
	529	Nut, Packing Gland (4 pack)	305463007		Zinc-plated steel
	530A	Hex Cap Screw, Motor Bracket (12 pack)	305463010	305463016	Zinc-plated steel
	530B	Stud, Volute Case (4 pack)	305463229		Zinc-plated steel
	530C	Lock Washers, Volute Case (6 pack)	305463032		Zinc-plated steel
	530D	Nut, Volute Case	305463033		Zinc-plated steel
	530E	Hex Cap Screw, Seal Box (12 pack)	305463010		Zinc-plated steel
	531	Stud, Packing Gland (4 pack)	305463008		Zinc-plated steel

REPLACEMENT MOTORS

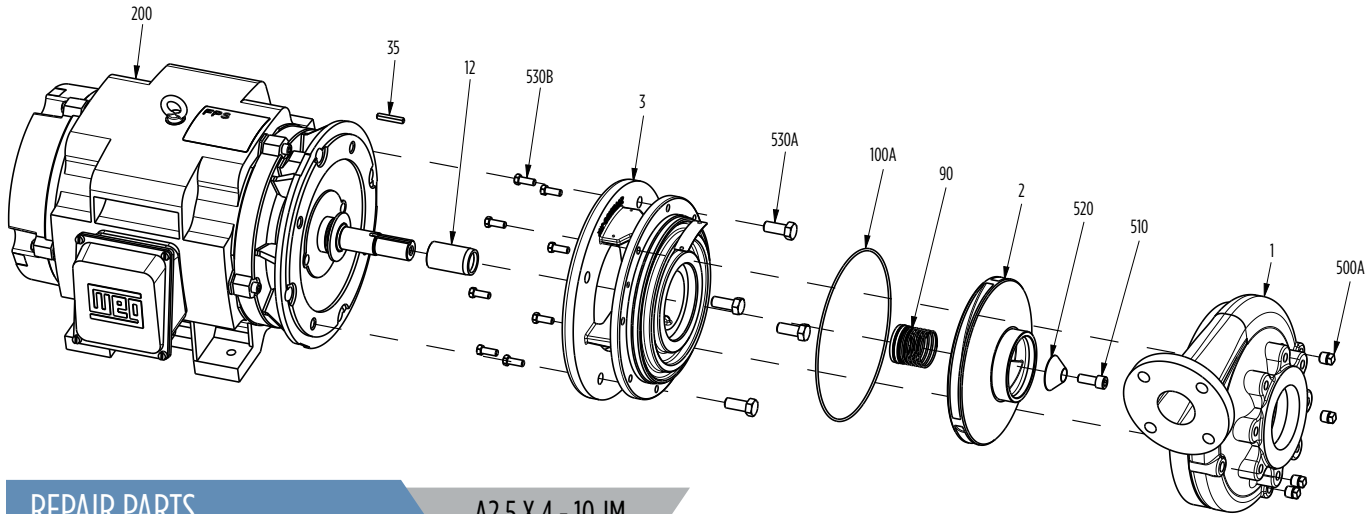
A2.5 X 3 - 6 JP

HP	Phase	AK Fit	Order No.	
			ODP Enclosure	TEFC Enclosure
3	1	4.5	104217000	104218000
	3		104237002	104239002
5	1	4.5	104217002	104218002
	3		104237004	104239004
7.5	1	8.5	104217004	104218004
	3	4.5	104237006	N/A
	3		N/A	104239006
10	1	8.5	104217006	104218006
	3		104237008	104239008
15	3		104237009	104239009

CENTRIFUGAL PUMPS

CLOSE-COUPLED AG SERIES

MENU



REPAIR PARTS

A2.5 X 4 - 10 JM

Sealing	Figure No.	Part Description	Repair No.		Materials of Construction
			8.5AK Models	12.5AK Models	
Mechanical	1	Volute Case, Flange w/plugs	305411908		Cast iron, ASTM-A48 CL30
	Not Shown	Volute Case, NPT w/plugs	305411940		Cast iron, ASTM-A48 CL30
	2	Impeller, 20 hp, Trim 7.38" (1.250" bore)	305410941	N/A	Cast iron, ASTM-A48 CL30
	2	Impeller, 25 hp, Trim 8.00" (1.250" bore)	305410938	N/A	Cast iron, ASTM-A48 CL30
	2	Impeller, 30 hp, Trim 8.38" (1.250" bore)	N/A	305410942	Cast iron, ASTM-A48 CL30
	2	Impeller, 40 hp, Trim 9.00" (1.250" bore)	N/A	305410939	Cast iron, ASTM-A48 CL30
	3	Motor Bracket	305411942	N/A	Cast iron, ASTM-A48 CL30
	3	Motor Bracket, 12.5AK	N/A	305411943	Cast iron, ASTM-A48 CL30
	4A	Wear Ring	305417905		SAE 660 bronze
	4B	Wear Ring	305417924		SAE 660 bronze
	12	Shaft Sleeve	305463249		416 stainless steel
	35	Key, Impeller Shaft	305463150		316 stainless steel
	90	Mechanical Shaft Seal	305463012		Carbon/ceramic/nitrile/316 stainless steel
	100A	O-ring, Volute Case (2 pack)	305418925		Nitrile
	500A	Pipe Plug (4-pack)	305463175		CAD-Plated Steel
	503	Water Slinger	305447008		Neoprene
	510	Hex Cap Screw, Impeller	305463014		316 stainless steel, grade 5
	520	Washer, Impeller	305419902		300 Series stainless steel
	530A	Hex Cap Screw, Motor Bracket (12 pack)	305463016	305418918	Zinc-plated steel
	530B	Hex Cap Screw, Volute Case (4 pack)	305463010		Zinc-plated steel

REPLACEMENT MOTORS

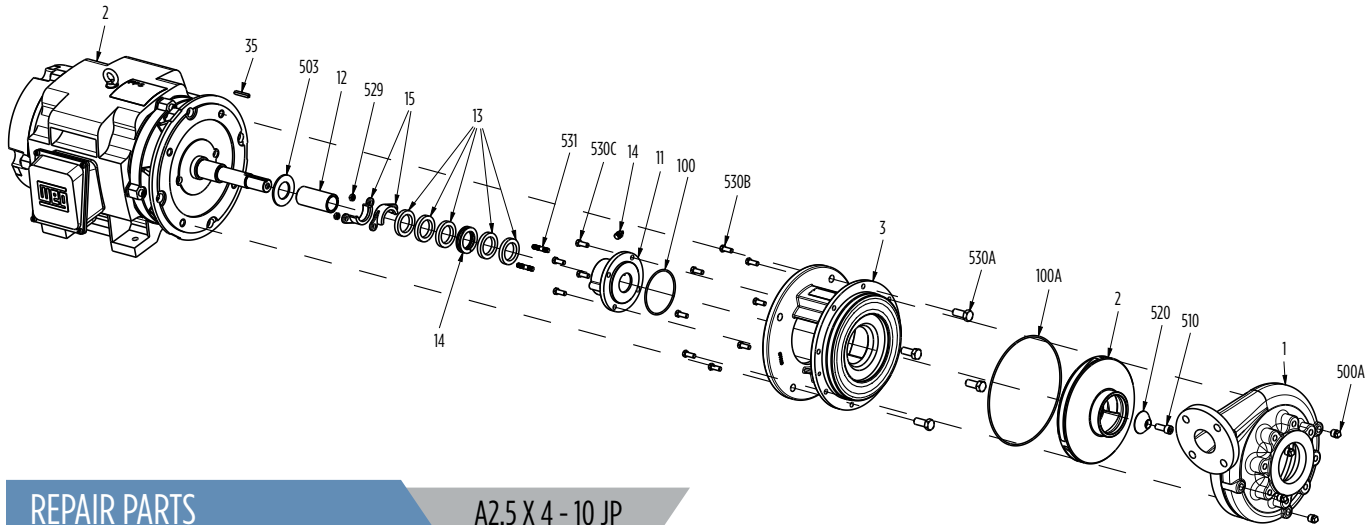
A2.5 X 4 - 10 JM

HP	Phase	AK Fit	Order No.	
			ODP Enclosure	TEFC Enclosure
20	3	8.5	104236010	104238010
25			104236011	N/A
30		12.5	N/A	104238011
40			104236012	104238012
			104236013	104238013

CENTRIFUGAL PUMPS

CLOSE-COUPLED AG SERIES

MENU



REPAIR PARTS

A2.5 X 4 - 10 JP

Sealing	Figure No.	Part Description	Repair No.		Materials of Construction
			8.5AK Models	12.5AK Models	
Packing	Not Shown	Volute Case, Flange w/plugs	305411908		Cast iron, ASTM-A48 CL31
	1	Volute Case, NPT w/plugs	305411940		Cast iron, ASTM-A48 CL31
	2	Impeller, 20 hp, Trim 7.38" (1.250" bore)	305410941	N/A	Cast iron, ASTM-A48 CL31
	2	Impeller, 25 hp, Trim 8.00" (1.250" bore)	305410938	N/A	Cast iron, ASTM-A48 CL31
	2	Impeller, 30 hp, Trim 8.38" (1.250" bore)	N/A	305410942	Cast iron, ASTM-A48 CL31
	2	Impeller, 40 hp, Trim 9.00" (1.250" bore)	N/A	305410939	Cast iron, ASTM-A48 CL31
	3	Motor Bracket	305412902	305412906	Cast iron, ASTM-A48 CL31
	4A	Wear Ring	305417905		SAE 660 bronze
	4B	Wear Ring	305417923		SAE 660 bronze
	11	Packing Seal Box	305448005		Cast iron, ASTM-A48 CL31
	12	Shaft Sleeve	305448006		416 stainless steel
	13	Packing Ring Set	305448009		Graphite/cotton
	14	Lantern Ring	305448010		PTFE
	15	Packing Gland (2 piece)	305448011		316 stainless steel
	21	Packing Gland Assembly	305411937		Various
	35	Key, Impeller Shaft	305463150		301 stainless steel
	100	O-ring, Packing Seal Box	305463013		Nitrile
	100A	O-ring, Volute Case (2 pack)	305418925		Nitrile
	500A	Pipe Plug (4 pack)	305463175		CAD-plated steel
	502	Grease Fitting (2 pack)	305463015		Zinc-plated steel
	503	Water Slinger	305447008		Neoprene
	510	Hex Cap Screw, Impeller	305463014		316 stainless steel, grade 5
	520	Washer, Impeller	305419902		300 Series stainless steel
	529	Nut, Packing Gland (4 pack)	305463007		Zinc-plated steel
	530A	Hex Cap Screw, Motor Bracket	305463016	305418918	Zinc-plated steel
	530B	Hex Cap Screw, Volute Case (12 Pack)	305463010		Zinc-plated steel
	530C	Hex Cap Screw, Seal Box (12 Pack)	305463010		Zinc-plated steel
	531	Stud, Packing Gland (4 pack)	305463008		Zinc-plated steel

REPLACEMENT MOTORS

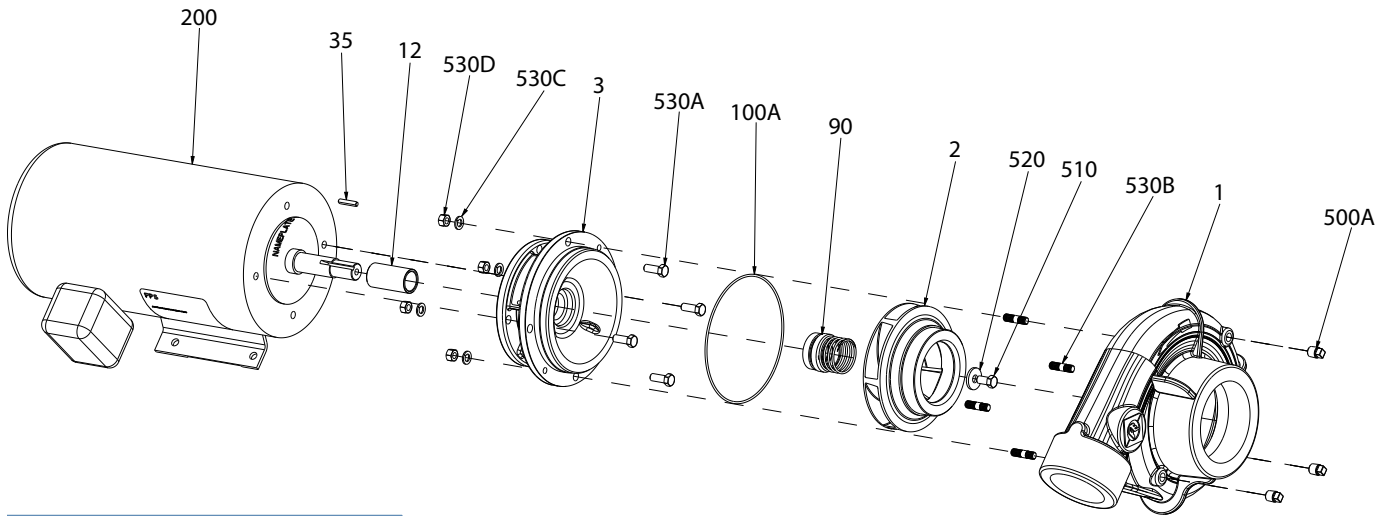
A2.5 X 4 - 10 JP

HP	Phase	AK Fit	Order No.	
			ODP Enclosure	TEFC Enclosure
20	3	8.5	104237010	104239010
25			104237011	N/A
30		12.5	N/A	104239011
			104237012	104239012
40		104237013	104239013	

CENTRIFUGAL PUMPS

CLOSE-COUPLED AG SERIES

☰ MENU



REPAIR PARTS

A3 X 4 - 6 JM

Sealing	Figure No.	Part Description	Repair No.		Materials of Construction
			4.5AK Models	8.5AK Models	
Mechanical	1	Volute Case (NPT) w/plugs	305567001		Cast iron, ASTM-A48 CL30
	Not Shown	Volute Case (Flange) w/plugs	305567002		Cast iron, ASTM-A48 CL30
	2	Impeller, 7.5 hp, 5.063" trim (.875" bore)	305567003		Cast iron, ASTM-A48 CL30
	2	Impeller, 10 hp, 5.313" trim (.875" bore)	N/A	305567004	Cast iron, ASTM-A48 CL30
	2	Impeller, 15 hp, 5.938" trim (.875" bore)	N/A	305567005	Cast iron, ASTM-A48 CL30
	2	Impeller, 20 hp, 6.437" trim (1.25" bore)	N/A	305567006	Cast iron, ASTM-A48 CL30
	3	Motor Bracket	305564005	305564008	Cast iron, ASTM-A48 CL30
	3	Motor Bracket, 20 hp	N/A	305567007	Cast iron, ASTM-A48 CL30
	12	Sleeve, Mechanical Seal	305463227		416 stainless steel
	12	Sleeve, Mechanical Seal, 20 hp	N/A	305463233	416 stainless steel
	35	Key, Impeller Shaft	305463001		301 stainless steel
	90	Mechanical Shaft Seal	305463002		Carbon/ceramic/nitrile/316 stainless steel
	90	Mechanical Shaft Seal, 20 hp	N/A	305463012	Carbon/ceramic/nitrile/316 stainless steel
	100A	O-ring, Volute Case (2 pack)	305463004		Nitrile
	500A	Pipe Plug (4 pack)	305463020		CAD-plated steel
	510	Hex Cap Screw, Impeller	305463006		316 stainless steel, grade 5
	510	Hex Cap Screw, Impeller, 20 hp	N/A	305463024	316 stainless steel, grade 5
	520	Washer, Impeller	305463228		300 Series stainless steel
	520	Washer, Impeller, 20 hp	N/A	305463234	300 Series stainless steel
	530A	Hex Cap Screw, Motor Bracket (12 pack)	305463010	305463026	Zinc-plated steel
530B	Studs, Volute Case (4 pack)	305463229		Zinc-plated steel	
530C	Lock Washers, Volute Case (6 pack)	305463032		Zinc-plated steel	
530D	Nut, Volute Case	305463033		Zinc-plated steel	

REPLACEMENT MOTORS

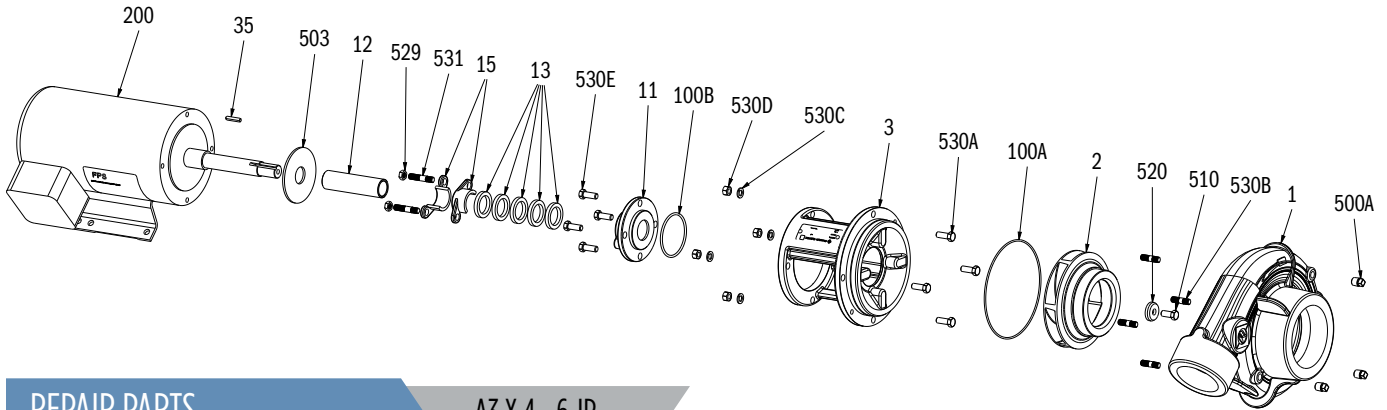
A3 X 4 - 6 JM

HP	Phase	AK Fit	Order No.	
			ODP Enclosure	TEFC Enclosure
7.5	1	8.5	104219004	104220004
	3	4.5	104219005	104220005
10	1	8.5	104219006	104220006
	3		104219007	104220007
15	3		104219008	104220008
	3		104219009	104220009

CENTRIFUGAL PUMPS

CLOSE-COUPLED AG SERIES

☰ MENU



REPAIR PARTS

A3 X 4 - 6 JP

Sealing	Figure No.	Part Description	Repair No.		Materials of Construction
			4.5AK Models	8.5AK Models	
Packing	1	Volute Case (NPT) w/plugs	305567001		Cast iron, ASTM-A48 CL30
	Not Shown	Volute Case (Flange) w/plugs	305567002		Cast iron, ASTM-A48 CL30
	2	Impeller, 7.5 hp, 3-phase, 5.063" trim (.875" bore)	305567003	N/A	Cast iron, ASTM-A48 CL30
	2	Impeller, 7.5 hp, 1-phase, 5.063" trim (1.25" bore)	N/A	305567008	Cast iron, ASTM-A48 CL30
	2	Impeller, 10 hp, 5.313" trim (1.25" bore)	N/A	305567009	Cast iron, ASTM-A48 CL30
	2	Impeller, 15 hp, 5.938" trim (1.25" bore)	N/A	305567010	Cast iron, ASTM-A48 CL30
	2	Impeller, 20 hp, 6.437" trim (1.25" bore)	N/A	305567006	Cast iron, ASTM-A48 CL30
	3	Motor Bracket	305564006	305564009	Cast iron, ASTM-A48 CL30
	11	Packing Seal Box	305447004	305448005	Cast iron, ASTM-A48 CL30
	12	Sleeve, Shaft	305448006	305464010	416 stainless steel
	13	Packing Ring Set	305447006	305448009	Graphite/cotton
	14	Lantern Ring	N/A	305448010	PTFE
	15	Packing Gland (2 piece)	305447007	305448011	316 stainless steel
	35	Key, Impeller Shaft	305463001	305450006	301 stainless steel
	100A	O-ring, Volute Case (2 pack)	305463004		Nitrile
	100B	O-ring, Seal Box (2 pack)	305463003	305463013	Nitrile
	500A	Pipe Plug (4 pack)	305463020		Zinc-plated steel
	502	Grease Fitting	N/A	305463015	Zinc-plated steel
	503	Slinger	305450007	305447008	Neoprene
	510	Hex Cap Screw, Impeller	305463006	305463024	316 stainless steel-grade 5
	520	Washer, Impeller	305463228	305463230	300 Series stainless steel
	529	Nut, Packing Gland (4 pack)	305463007		Zinc-plated steel
	530A	Hex Cap Screw, Motor Bracket (12 pack)	305463010	305463016	Zinc-plated steel
	530B	Stud, Volute Case (4 pack)	305463229		Zinc-plated steel
	530C	Lock Washers, Volute Case (6 pack)	305463032		Zinc-plated steel
	530D	Nut, Volute Case	305463033		Zinc-plated steel
	530E	Hex Cap Screw, Seal Box (12 pack)	305463010		Zinc-plated steel
	531	Stud, Packing Gland (4 pack)	305463008		Zinc-plated steel

REPLACEMENT MOTORS

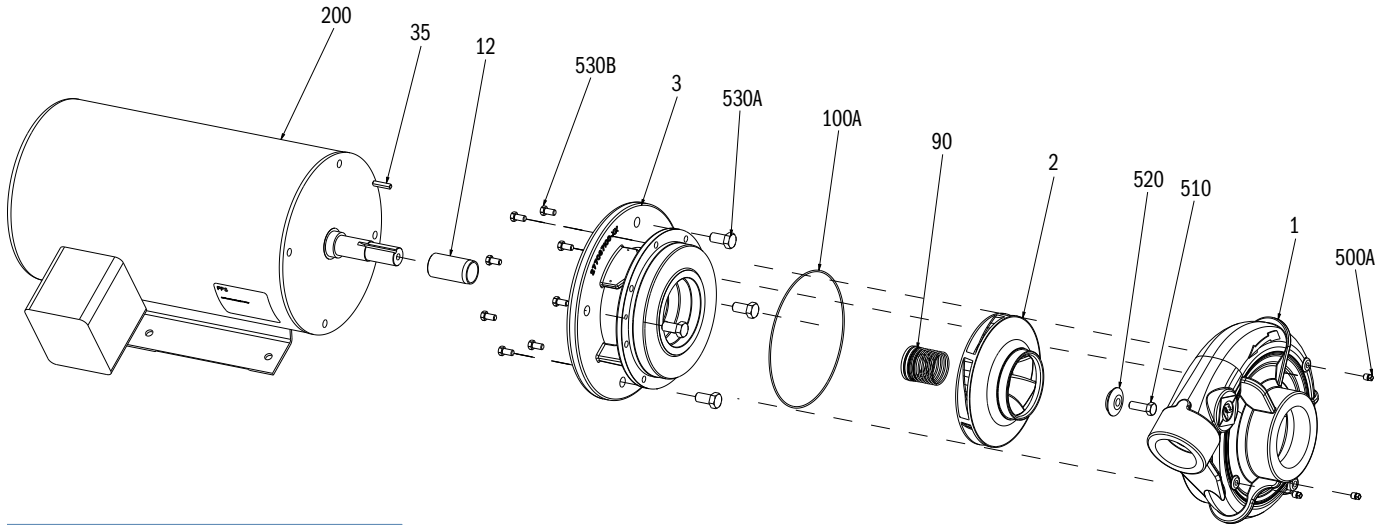
A3 X 4 - 6 JP

HP	Phase	AK Fit	Order No.	
			ODP Enclosure	TEFC Enclosure
7.5	1	8.5	104217004	104218004
	3	4.5	104217005	104218005
10	1	8.5	104217006	104218006
	3		104217007	104218007
15	3		104217008	104218008
20	3		104217009	104218009

CENTRIFUGAL PUMPS

CLOSE-COUPLED AG SERIES

MENU



REPAIR PARTS

A3 X 4 - 9 JM

Sealing	Figure No.	Part Description	Repair No.	Materials of Construction
Mechanical	1	Volute Case (NPT) w/plugs	305565001	Cast iron, ASTM-A48 CL30
	Not Shown	Volute Case (Flange) w/plugs	305565002	Cast iron, ASTM-A48 CL30
	2	Impeller, 30 hp, 6.875" trim	305565003	Cast iron, ASTM-A48 CL30
	2	Impeller, 40 hp, 7.313" trim	305565004	Cast iron, ASTM-A48 CL30
	2	Impeller, 50 hp, 7.875" trim	305565005	Cast iron, ASTM-A48 CL30
	2	Impeller, 60 hp, 8.563" trim	305565006	Cast iron, ASTM-A48 CL30
	2	Impeller, 75 hp, 9.00" trim	305565009	Cast iron, ASTM-A48 CL30
	3	Motor Bracket	305565007	Cast iron, ASTM-A48 CL30
	12	Sleeve, Mechanical Seal	305463231	416 stainless steel
	35	Key, Impeller Shaft	305450006	301 stainless steel
	90	Mechanical Shaft Seal	305463017	Carbon/ceramic/nitrile/316 stainless steel
	100A	O-ring, Volute Case (2 pack)	305463232	Nitrile
	500A	Pipe Plug (4 pack)	305463020	Zinc-plated steel
	510	Hex Cap Screw, Impeller	305463185	316 stainless steel, grade 5
	520	Washer, Impeller	305463255	300 Series stainless steel
530A	Hex Cap Screw, Motor Bracket (12 pack)	305463208	Zinc-plated steel	
530B	Hex Cap Screw, Volute Case (12 pack)	305463030	Zinc-plated steel	

REPLACEMENT MOTORS

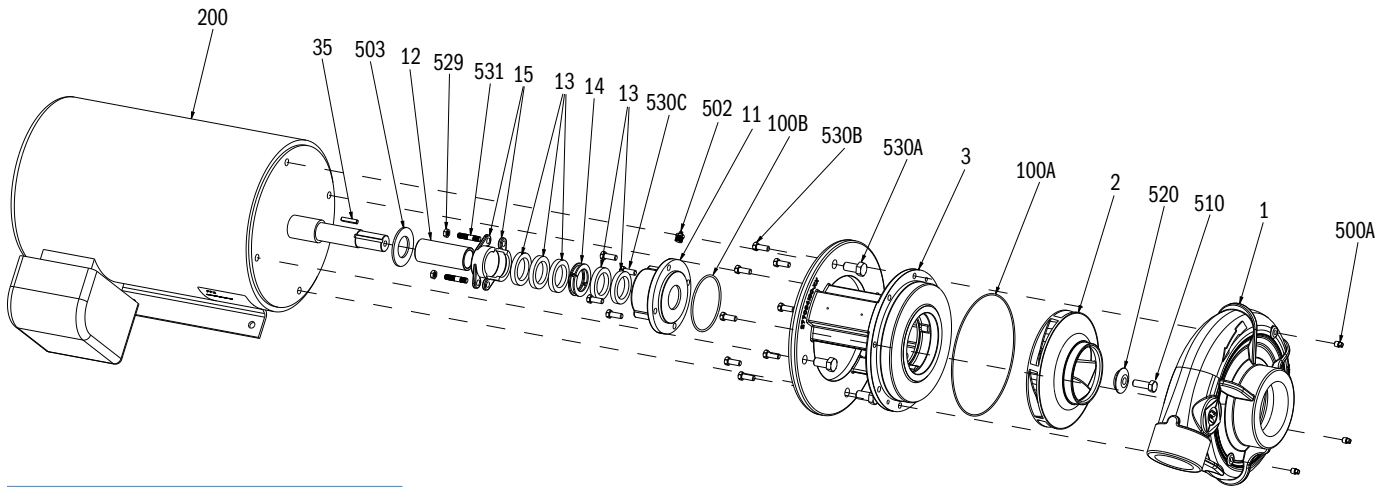
A3 X 4 - 9 JM

HP	Phase	AK Fit	Order No.	
			ODP Enclosure	TEFC Enclosure
30	3	12.5	104219011	104220011
40			104219012	104220012
50			104219013	104220013
60			104219014	104220014
75			104219015	104220015

CENTRIFUGAL PUMPS

CLOSE-COUPLED AG SERIES

☰ MENU



REPAIR PARTS

A3 X 4 - 9 JP

Sealing	Figure No.	Part Description	Repair No.	Materials of Construction
Packing	1	Volute Case (NPT) w/plugs	305565001	Cast iron, ASTM-A48 CL30
	Not Shown	Volute Case (Flange) w/plugs	305565002	Cast iron, ASTM-A48 CL30
	2	Impeller, 30 hp, 6.875" trim	305565003	Cast iron, ASTM-A48 CL30
	2	Impeller, 40 hp, 7.313" trim	305565004	Cast iron, ASTM-A48 CL30
	2	Impeller, 50 hp, 7.875" trim	305565005	Cast iron, ASTM-A48 CL30
	2	Impeller, 60 hp, 8.563" trim	305565006	Cast iron, ASTM-A48 CL30
	2	Impeller, 75 hp, 9.00" trim	305565009	Cast iron, ASTM-A48 CL30
	3	Motor Bracket	305565008	Cast iron, ASTM-A48 CL30
	11	Packing Seal Box	305448005	Cast iron, ASTM-A48 CL30
	12	Sleeve, Shaft	305449005	416 stainless steel
	13	Packing Ring Set	305448009	Graphite/cotton
	14	Lantern Ring	305448010	PTFE
	15	Packing Gland (2 piece)	305448011	316 stainless steel
	35	Key, Impeller Shaft	305450006	301 stainless steel
	100A	O-ring, Volute Case (2 pack)	305463232	Nitrile
	100B	O-ring, Seal Box (2 pack)	305463013	Nitrile
	500A	Pipe Plug (4 pack)	305463020	Zinc-plated steel
	502	Grease Fitting	305463015	Zinc-plated steel
	510	Hex Cap Screw, Impeller	305463185	316 stainless steel, grade 5
	520	Washer, Impeller	305463255	300 Series stainless steel
	529	Nut, Packing Gland (4 pack)	305463007	Zinc-plated steel
	530A	Hex Cap Screw, Motor Bracket (12 pack)	305463208	Zinc-plated steel
	530B	Hex Cap Screw, Volute Case (12 pack)	305463010	Zinc-plated steel
	530C	Hex Cap Screw, Seal Box (12 pack)	305463010	Zinc-plated steel
	531	Stud, Packing Gland (4 pack)	305463008	Zinc-plated steel

REPLACEMENT MOTORS

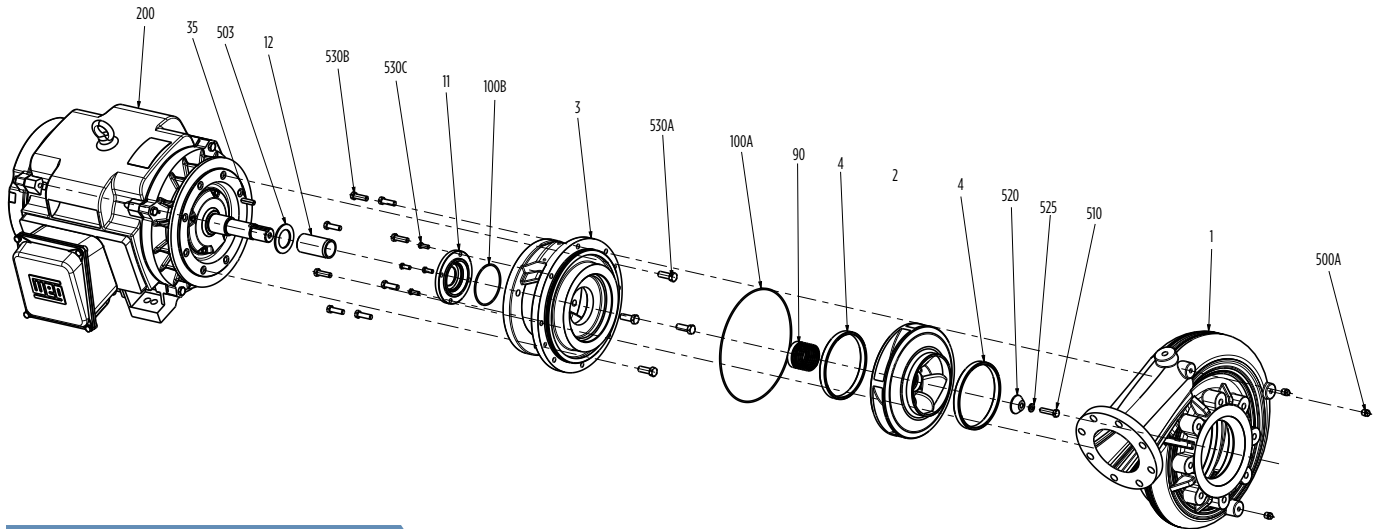
A3 X 4 - 9 JP

HP	Phase	AK Fit	Order No.	
			ODP Enclosure	TEFC Enclosure
30	3	12.5	104217011	104218011
40			104217012	104218012
50			104217013	104218013
60			104217014	104218014
75			104217015	104218015

CENTRIFUGAL PUMPS

CLOSE-COUPLED AG SERIES

MENU



REPAIR PARTS

A6 X 8 - 13 JM

Sealing	Figure No.	Part Description	Repair No. (12.5AK Models)		Materials of Construction
			30-50 HP	60-75 HP	
Mechanical	1	Volute Case w/plugs	305464018		Cast iron, ASTM-A48 CL30
	2	Impeller, 30 hp, Trim 9.88"	305464064	N/A	Cast iron, ASTM-A48 CL30
	2	Impeller, 40 hp, Trim 10.75"	305464065	N/A	Cast iron, ASTM-A48 CL30
	2	Impeller 50 hp, Trim 11.50"	305464066	N/A	Cast iron, ASTM-A48 CL30
	2	Impeller 60 hp, Trim 12.12"	N/A	305464067	Cast iron, ASTM-A48 CL30
	2	Impeller 75 hp, Trim 13.00"	N/A	305464068	Cast iron, ASTM-A48 CL30
	3	Motor Bracket	305464069	305464071	Cast iron, ASTM-A48 CL30
	4	Wear Ring	305464024		SAE 660 bronze
	11	Mechanical Seal Box	N/A	305464072	Cast iron, ASTM-A48 CL30
	12	Sleeve, Mechanical Seal	305463242	305463243	416 stainless steel
	35	Key, Impeller Shaft	305463150	305464032	301 stainless steel
	90	Mechanical Shaft Seal	305463017	305463153	Carbon/ceramic/nitrile/316 stainless steel
	100A	O-ring, Volute Case (2 pack)	305463154		Nitrile
	100B	O-ring, Seal Box (2 Pack)	N/A	305463244	Nitrile
	500A	Pipe Plug (4 pack)	305463175		CAD-plated steel
	503	Slinger	305464015	305463246	Neoprene
	510	Hex Cap Screw, Impeller	305463254		316 stainless steel, grade 5
	520	Washer, Impeller	305464016	305464058	300 Series stainless steel
	525	Lock Washer, Impeller	305463156		316 stainless steel
	530A	Hex Cap Screw, Motor Bracket (12 pack)	305463208	305463169	Zinc-plated steel
530B	Hex Cap Screw, Volute Case (12 pack)	305463016	305463163	Zinc-plated steel	
530C	Hex Cap Screw, Seal Box	N/A	305463010	Zinc-plated steel	

REPLACEMENT MOTORS

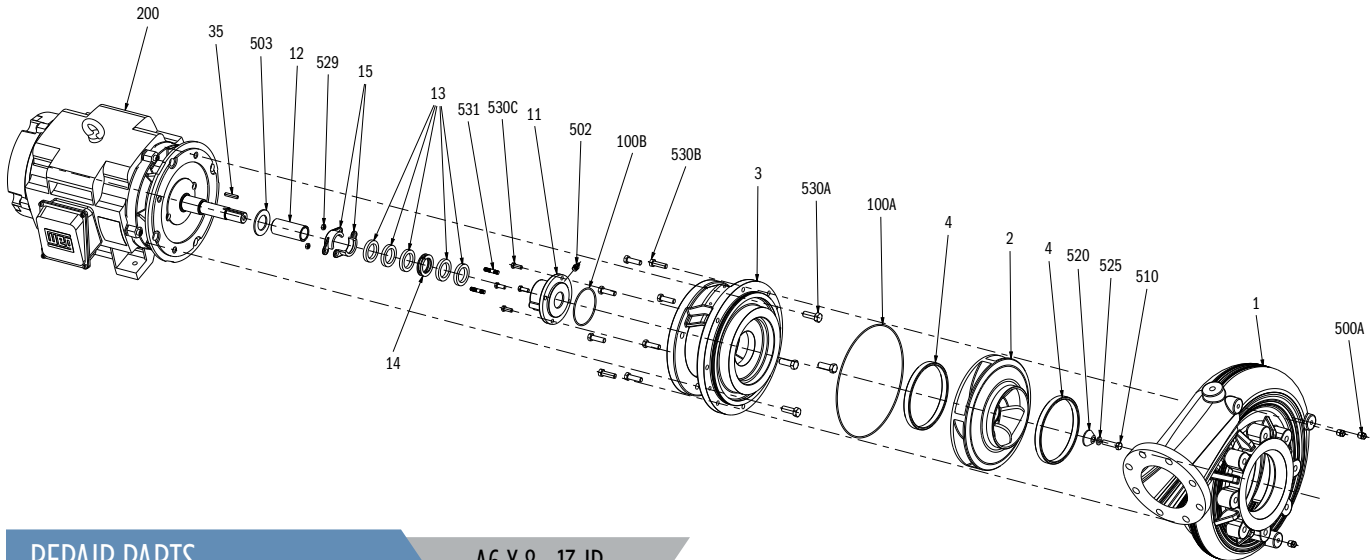
A6 X 8 - 13 JM

HP	Phase	AK Fit	Order No.	
			ODP Enclosure	TEFC Enclosure
30	3	12.5	104226012	104228010
40			104226013	104228011
50			104226015	104228013
60			104227018	104229016
75			104227020	104229018

CENTRIFUGAL PUMPS

CLOSE-COUPLED AG SERIES

☰ MENU



REPAIR PARTS

A6 X 8 - 13 JP

Sealing	Figure No.	Part Description	Repair No. (12.5AK Models)		Materials of Construction
			30-50 HP	60-75 HP	
Packing	1	Volute Case w/plugs	305464018		Cast iron, ASTM-A48 CL30
	2	Impeller, 30 hp, Trim 9.88"	305464064	N/A	Cast iron, ASTM-A48 CL30
	2	Impeller, 40 hp, Trim 10.75"	305464065	N/A	Cast iron, ASTM-A48 CL30
	2	Impeller 50 hp, Trim 11.50"	305464066	N/A	Cast iron, ASTM-A48 CL30
	2	Impeller 60 hp, Trim 12.12"	N/A	305464067	Cast iron, ASTM-A48 CL30
	2	Impeller 75 hp, Trim 13.00"	N/A	305464068	Cast iron, ASTM-A48 CL30
	3	Motor Bracket	305464069	305464071	Cast iron, ASTM-A48 CL30
	4	Wear Ring	305464024		SAE 660 bronze
	11	Packing Seal Box	N/A	305464072	Cast iron, ASTM-A48 CL30
	12	Sleeve, Shaft	305463242	305463243	416 stainless steel
	13	Packing Ring Set	305463150	305464032	Graphite/cotton
	14	Lantern Ring	305463017	305463153	PTFE
	15	Packing Gland (2 Piece)	305463154		316 stainless steel
	35	Key, Impeller Shaft	N/A	305463244	301 stainless steel
	100A	O-ring, Volute Case (2 pack)	305463175		Nitrile
	100B	O-ring, Seal Box (2 pack)	305464015	305463246	Nitrile
	500A	Pipe Plug (4 pack)	305463254		Zinc-plated steel
	502	Grease Fitting	305464016	305464058	Zinc-plated steel
	503	Slinger	305463156		Neoprene
	510	Hex Cap Screw, Impeller	305463208	305463169	316 stainless steel, grade 5
	520	Washer, Impeller	305463016	305463163	300 Series stainless steel
	525	Lock Washer, Impeller	N/A	305463010	316 stainless steel
	529	Nut, Packing Gland (4 pack)	305463007		Zinc-plated steel
	530A	Hex Cap Screw, Motor Bracket (12 pack)	305463169		Zinc-plated steel
	530B	Hex Cap Screw, Volute Case (12 pack)	305463163		Zinc-plated steel
	530C	Hex Cap Screw, Seal Box (12 pack)	305463010		Zinc-plated steel
	531	Stud, Packing Gland (4 pack)	305463008	305463158	Zinc-plated steel

REPLACEMENT MOTORS

A6 X 8 - 13 JP

HP	Phase	AK Fit	Order No.	
			ODP Enclosure	TEFC Enclosure
30	3	12.5	104227012	104229010
40			107227013	104229011
50			104227015	104229013
60			104227018	104229016
75			104227020	104229018

NOTES

CLOSE-COUPLED AG SERIES



NOTES

CLOSE-COUPLED AG SERIES





Franklin Electric